

***Multi-spilt Outdoor unit 4 rooms (S3AV)***

**Outdoor Unit**

**RAS-4M27S3AV-E**

# Contents

---

<b>1 Line up</b> .....	<b>3</b>
<b>2 Specifications</b> .....	<b>4</b>
2-1 Outdoor Unit .....	4
2-2 Combination .....	5
<b>3 Pipe Capacity Correction</b> .....	<b>29</b>
<b>4 Dimention</b> .....	<b>30</b>
<b>5 Wiring</b> .....	<b>31</b>
<b>6 Refrigerant cycle</b> .....	<b>32</b>
<b>7 Sound Characteristics (NC Curve)</b> .....	<b>33</b>
<b>8 Capacity table</b> .....	<b>34</b>

## 1. Line up

### RAS-4M27S3AV-E

Combination						
Indoor Unit						
07 Type	10 type	13 type	16 type	18 type	22etype	24 type
RAS-M07N3KV2-E1	RAS-B10N3KV2-E1	RAS-B13N3KV2-E1	RAS-B16N3KV2-E1	RAS-B18UFV-E1	RAS-B22N3KV2-E1	RAS-M24N3KV2-E1
RAS-M07G3DV-E	RAS-B10N3KVP-E	RAS-B13N3KVP-E	RAS-B16N3KVP-E			
RAS-M07G3DV-ND	RAS-B10N3KVP-ND	RAS-B13N3KVP-ND	RAS-B16N3KVP-ND			
	RAS-M10SMUV-E	RAS-M13SMUV-E	RAS-M16SMUV-E			
	RAS-M10G3DV-E	RAS-M13G3DV-E	RAS-M16G3DV-E			
	RAS-M10G3DV-ND	RAS-M13G3DV-ND	RAS-M16G3DV-ND			
	RAS-B10UFV-E1	RAS-B13UFV-E1				

## 2. Specifications

### 2.1 Outdoor unit ; RAS-4M27S3AV-E

Outdoor unit			RAS-4M27S3AV-E	
Indoor units			13+13+13+13	
Cooling capacity (Rated)	kW		8.0	
Cooling capacity range	kW		4.2 - 9.3	
Heating capacity (Rated)	kW		9.0	
Heating capacity range	kW		2.90 - 11.7	
-7C Max. heating	kW		5.85	
Power Supply		V/ph/Hz	220-240 / 1 / 50 220 / 1 / 60	
Cooling	running current (220V / 230 V / 240V)	A	10.94 / 10.46 / 10.03	
	power input	W	2286	
	EER		3.50	
	SEER		6.11	
Heating	running current (220V / 230 V / 240V)	A	9.22 / 8.82 / 8.45	
	power input	W	1927	
	COP		4.67	
	SCOP		4.23	
Maximum current		A	16.4	
Dimension	Unit	Height	mm 890	
		Width	mm 900	
		Depth	mm 320	
Weight	Unit	kg	69	
Compressor	Motor output	W	2000	
Fan unit	Type		Propeller fan	
	Motor output		W 60	
	Air volume	Cooling	m3/h	2507
			l/s	696
		Heating	m3/h	2507
l/s			696	
Piping	A unit liquid size / Gas size		mm 6.35 / 12.7	
	B unit liquid size / Gas size		mm 6.35 / 12.7	
	C unit liquid size / Gas size		mm 6.35 / 9.52	
	D unit liquid size / Gas size		mm 6.35 / 9.52	
	Maximum length Length (per unit)		m 25	
	Minimum Piping Length (per unit)		m 3	
	Maximum Piping Length (total)		m 70	
	Maximum charge less Length		m 40	
	Maximum Piping Height Difference		m 15	
Refrigerant	Type		R410A	
	Charge	kg	2.40	
	Additional refrigerant amount/1m	kg	0.02	
Sound pressure level	Cooling	dB(A)	48	
	Heating	dB(A)	49	
Sound power level	Cooling	dB(A)	63	
	Heating	dB(A)	64	
Operation temperature range	Cooling	CDB	-10 to 46	
	Heating	CWB	-15 to 24	

Measured condition : Cooling capacity test condition Inside: 27°C (Db) / 19°C (Wb) Outside: 35°C (Db) / 24°C (Wb)

Heating capacity test condition Inside: 20°C (Db) Outside: 7°C (Db) / 6°C (Wb)

Piping length: 5m x 4rooms

Because SEER/SCOP are following data.

Note : Combination of indoor unit are Suzumi+(RAS-B/M\*\*N3KV2-E1) 13 class.

2.2 Combination

<Cooling/220V>

Operating Status	Combination (kBTU)					Unit capacity (kW)				Total				
	A	B	C	D	ΣkBTU	A	B	C	D	Cooling capacity (kW)	Power input (W)	Running Current (A)	Power factor (%)	SEER
2 units operation	07	07	-	-	14	2.00	2.00	-	-	4.0 ( 2.5 - 5 )	1520 ( 640 - 1770 )	7.27 ( 3.64 - 8.21 )	95 ( 80 - 98 )	6.19
	10	07	-	-	17	2.70	2.00	-	-	4.7 ( 2.5 - 5.7 )	1530 ( 640 - 1910 )	7.32 ( 3.64 - 8.86 )	95 ( 80 - 98 )	6.28
	13	07	-	-	20	3.70	2.00	-	-	5.7 ( 2.6 - 6.5 )	1810 ( 660 - 2130 )	8.66 ( 3.75 - 9.88 )	95 ( 80 - 98 )	6.34
	16	07	-	-	23	4.08	1.82	-	-	5.9 ( 2.7 - 6.6 )	1810 ( 660 - 2220 )	8.66 ( 3.75 - 10.30 )	95 ( 80 - 98 )	6.30
	18	07	-	-	25	4.50	1.80	-	-	6.3 ( 2.9 - 6.9 )	2040 ( 670 - 2400 )	9.76 ( 3.81 - 11.13 )	95 ( 80 - 98 )	6.28
	22	07	-	-	29	4.73	1.58	-	-	6.3 ( 2.9 - 6.9 )	2040 ( 670 - 2400 )	9.76 ( 3.81 - 11.13 )	95 ( 80 - 98 )	6.32
	24	07	-	-	31	5.31	1.49	-	-	6.8 ( 3.0 - 7.2 )	2320 ( 690 - 2570 )	11.10 ( 3.92 - 11.92 )	95 ( 80 - 98 )	6.35
	10	10	-	-	20	2.70	2.70	-	-	5.4 ( 2.5 - 6.3 )	1530 ( 640 - 2040 )	7.32 ( 3.64 - 9.46 )	95 ( 80 - 98 )	6.30
	13	10	-	-	23	3.41	2.49	-	-	5.9 ( 2.7 - 6.6 )	1810 ( 660 - 2220 )	8.66 ( 3.75 - 10.30 )	95 ( 80 - 98 )	6.31
	16	10	-	-	26	3.94	2.36	-	-	6.3 ( 2.9 - 6.9 )	2040 ( 670 - 2400 )	9.76 ( 3.81 - 11.13 )	95 ( 80 - 98 )	6.18
	18	10	-	-	28	4.09	2.21	-	-	6.3 ( 2.9 - 6.9 )	2040 ( 670 - 2400 )	9.76 ( 3.81 - 11.13 )	95 ( 80 - 98 )	6.28
	24	10	-	-	34	5.22	1.98	-	-	7.2 ( 3.2 - 7.5 )	2550 ( 700 - 2750 )	12.20 ( 3.98 - 12.76 )	95 ( 80 - 98 )	6.41
	13	13	-	-	26	3.15	3.15	-	-	6.3 ( 2.9 - 6.9 )	2040 ( 670 - 2400 )	9.76 ( 3.81 - 11.13 )	95 ( 80 - 98 )	6.17
	16	13	-	-	29	3.73	3.07	-	-	6.8 ( 3.0 - 7.2 )	2320 ( 690 - 2570 )	11.10 ( 3.92 - 11.92 )	95 ( 80 - 98 )	6.08
	18	13	-	-	31	3.91	2.89	-	-	6.8 ( 3.0 - 7.2 )	2320 ( 690 - 2570 )	11.10 ( 3.92 - 11.92 )	95 ( 80 - 98 )	6.33
	22	13	-	-	35	4.45	2.75	-	-	7.2 ( 3.2 - 7.5 )	2550 ( 700 - 2750 )	12.20 ( 3.98 - 12.76 )	95 ( 80 - 98 )	6.42
	24	13	-	-	37	4.73	2.47	-	-	7.2 ( 3.2 - 7.5 )	2550 ( 700 - 2750 )	12.20 ( 3.98 - 12.76 )	95 ( 80 - 98 )	6.41
	16	16	-	-	32	3.60	3.60	-	-	7.2 ( 3.2 - 7.5 )	2550 ( 700 - 2750 )	12.20 ( 3.98 - 12.76 )	95 ( 80 - 98 )	6.44
	18	16	-	-	34	3.79	3.41	-	-	7.2 ( 3.2 - 7.5 )	2550 ( 700 - 2750 )	12.20 ( 3.98 - 12.76 )	95 ( 80 - 98 )	6.39
	22	16	-	-	38	4.17	3.13	-	-	7.3 ( 3.2 - 7.5 )	2550 ( 700 - 2750 )	12.20 ( 3.98 - 12.76 )	95 ( 80 - 98 )	6.41
	24	16	-	-	40	4.47	2.83	-	-	7.3 ( 3.2 - 7.5 )	2550 ( 700 - 2750 )	12.20 ( 3.98 - 12.76 )	95 ( 80 - 98 )	6.40
	18	18	-	-	36	3.60	3.60	-	-	7.2 ( 3.2 - 7.5 )	2550 ( 700 - 2750 )	12.20 ( 3.98 - 12.76 )	95 ( 80 - 98 )	6.35
	22	18	-	-	40	4.04	3.36	-	-	7.4 ( 3.2 - 7.5 )	2550 ( 700 - 2750 )	12.20 ( 3.98 - 12.76 )	95 ( 80 - 98 )	6.39
	24	18	-	-	42	4.34	3.06	-	-	7.4 ( 3.2 - 7.5 )	2550 ( 700 - 2750 )	12.20 ( 3.98 - 12.76 )	95 ( 80 - 98 )	6.39
3 units operation	07	07	07	-	21	2.00	2.00	2.00	-	6.0 ( 3.8 - 7.5 )	2400 ( 950 - 2720 )	11.48 ( 4.80 - 12.62 )	95 ( 90 - 98 )	5.55
	10	07	07	-	24	2.70	2.00	2.00	-	6.7 ( 3.8 - 8.2 )	2400 ( 950 - 2720 )	11.48 ( 4.80 - 12.62 )	95 ( 90 - 98 )	5.72
	13	07	07	-	27	3.65	1.97	1.97	-	7.6 ( 3.9 - 8.3 )	2410 ( 960 - 2740 )	11.53 ( 4.85 - 12.71 )	95 ( 90 - 98 )	5.83
	16	07	07	-	30	4.08	1.81	1.81	-	7.7 ( 4.0 - 8.5 )	2410 ( 960 - 2790 )	11.53 ( 4.85 - 12.94 )	95 ( 90 - 98 )	5.84
	18	07	07	-	32	4.28	1.71	1.71	-	7.7 ( 4.0 - 8.5 )	2410 ( 960 - 2790 )	11.53 ( 4.85 - 12.94 )	95 ( 90 - 98 )	5.80
	22	07	07	-	36	4.68	1.56	1.56	-	7.8 ( 4.1 - 8.6 )	2430 ( 970 - 2810 )	11.63 ( 4.90 - 13.03 )	95 ( 90 - 98 )	6.02
	24	07	07	-	38	4.99	1.41	1.41	-	7.8 ( 4.1 - 8.6 )	2430 ( 970 - 2810 )	11.63 ( 4.90 - 13.03 )	95 ( 90 - 98 )	6.02
	10	10	07	-	27	2.70	2.70	2.00	-	7.4 ( 3.8 - 8.2 )	2400 ( 950 - 2720 )	11.48 ( 4.80 - 12.62 )	95 ( 90 - 98 )	5.82
	13	10	07	-	30	3.39	2.48	1.83	-	7.7 ( 3.9 - 8.3 )	2410 ( 960 - 2740 )	11.53 ( 4.85 - 12.71 )	95 ( 90 - 98 )	5.83
	16	10	07	-	33	3.77	2.26	1.67	-	7.7 ( 4.0 - 8.5 )	2410 ( 960 - 2790 )	11.53 ( 4.85 - 12.94 )	95 ( 90 - 98 )	5.83
	18	10	07	-	35	3.97	2.14	1.59	-	7.7 ( 4.0 - 8.5 )	2410 ( 960 - 2790 )	11.53 ( 4.85 - 12.94 )	95 ( 90 - 98 )	5.80
	22	10	07	-	39	4.37	1.97	1.46	-	7.8 ( 4.1 - 8.6 )	2430 ( 970 - 2810 )	11.63 ( 4.90 - 13.03 )	95 ( 90 - 98 )	6.02
24	10	07	-	41	4.69	1.78	1.32	-	7.8 ( 4.1 - 8.6 )	2430 ( 970 - 2810 )	11.63 ( 4.90 - 13.03 )	95 ( 90 - 98 )	6.02	

\*) Application FCU units are RAS-M07N3KV2-E1, RAS-B10N3KV2-E1, RAS-B12N3KV2-E1, RAS-B16N3KV2-E1 only.  
 Note) Combination of indoor units are Suzumi+(RAS-B/M\*\*N3KV2-E1) 13class.

<Combination> CDU: RAS-4M27S3AV-E

<Cooling/220V>

Operating Status	Combination (kBTU)					Unit capacity (kW)				Total				
	A	B	C	D	ΣkBTU	A	B	C	D	Cooling capacity (kW)	Power input (W)	Running Current (A)	Power factor (%)	SEER
											( 4.0 - 8.5 )	( 960 - 2790 )	( 4.85 - 12.94 )	( 90 - 98 )
3 units operation	13	13	07	-	33	3.03	3.03	1.64	-	7.7	2410	11.53	95	
	16	13	07	-	36	3.44	2.83	1.53	-	( 4.1 - 8.6 )	( 970 - 2810 )	( 4.90 - 13.03 )	( 90 - 98 )	5.82
	18	13	07	-	38	3.64	2.70	1.46	-	7.8	2430	11.63	95	
	22	13	07	-	42	4.00	2.47	1.33	-	( 4.1 - 8.6 )	( 970 - 2810 )	( 4.90 - 13.03 )	( 90 - 98 )	5.79
	24	13	07	-	44	4.38	2.28	1.23	-	7.8	2430	11.63	95	
	16	16	07	-	39	3.19	3.19	1.42	-	( 4.1 - 8.7 )	( 970 - 2830 )	( 4.90 - 13.13 )	( 90 - 98 )	6.02
	18	16	07	-	41	3.39	3.05	1.36	-	7.9	2440	11.67	95	
	22	16	07	-	45	3.79	2.84	1.26	-	( 4.1 - 8.6 )	( 970 - 2810 )	( 4.90 - 13.03 )	( 90 - 98 )	5.94
	24	16	07	-	47	4.12	2.61	1.16	-	7.8	2430	11.63	95	
	18	18	07	-	43	3.29	3.29	1.32	-	( 4.1 - 8.7 )	( 970 - 2830 )	( 4.90 - 13.13 )	( 90 - 98 )	6.01
	22	18	07	-	47	3.65	3.04	1.22	-	7.9	2440	11.67	95	
	24	18	07	-	49	3.98	2.80	1.12	-	( 4.1 - 8.7 )	( 970 - 2830 )	( 4.90 - 13.13 )	( 90 - 98 )	6.03
	10	10	10	-	30	2.53	2.53	2.53	-	7.9	2440	11.67	95	
	13	10	10	-	33	3.13	2.28	2.28	-	( 4.1 - 8.7 )	( 970 - 2830 )	( 4.90 - 13.13 )	( 90 - 98 )	5.98
	16	10	10	-	36	3.50	2.10	2.10	-	7.9	2440	11.67	95	
	18	10	10	-	38	3.70	2.00	2.00	-	( 4.1 - 8.7 )	( 970 - 2830 )	( 4.90 - 13.13 )	( 90 - 98 )	5.99
	22	10	10	-	42	4.16	1.87	1.87	-	7.6	2400	11.48	95	
	24	10	10	-	44	4.49	1.71	1.71	-	( 3.8 - 8.2 )	( 950 - 2720 )	( 4.80 - 12.62 )	( 90 - 98 )	5.83
	13	13	10	-	36	2.82	2.82	2.06	-	7.7	2410	11.53	95	
	16	13	10	-	39	3.22	2.65	1.93	-	( 4.0 - 8.5 )	( 960 - 2790 )	( 4.85 - 12.94 )	( 90 - 98 )	5.82
	18	13	10	-	41	3.42	2.53	1.85	-	7.7	2410	11.53	95	
	22	13	10	-	45	3.82	2.36	1.72	-	( 4.1 - 8.6 )	( 970 - 2810 )	( 4.90 - 13.03 )	( 90 - 98 )	5.82
	24	13	10	-	47	4.15	2.17	1.58	-	7.8	2430	11.63	95	
	16	16	10	-	42	3.04	3.04	1.82	-	( 4.1 - 8.6 )	( 970 - 2810 )	( 4.90 - 13.03 )	( 90 - 98 )	5.90
	18	16	10	-	44	3.20	2.88	1.73	-	7.9	2440	11.67	95	
	22	16	10	-	48	3.59	2.69	1.62	-	( 4.1 - 8.7 )	( 970 - 2830 )	( 4.90 - 13.13 )	( 90 - 98 )	6.02
	24	16	10	-	50	3.92	2.49	1.49	-	7.9	2440	11.67	95	
	18	18	10	-	46	3.11	3.11	1.68	-	( 4.3 - 9.0 )	( 980 - 2900 )	( 4.95 - 13.45 )	( 90 - 98 )	6.01
	22	18	10	-	50	3.46	2.88	1.56	-	7.9	2440	11.67	95	
	24	18	10	-	52	3.84	2.70	1.46	-	( 4.1 - 8.7 )	( 970 - 2830 )	( 4.90 - 13.13 )	( 90 - 98 )	6.04
13	13	13	-	39	2.60	2.60	2.60	-	7.9	2440	11.67	95		
16	13	13	-	42	2.99	2.46	2.46	-	( 4.3 - 9.0 )	( 980 - 2900 )	( 4.95 - 13.45 )	( 90 - 98 )	6.02	
18	13	13	-	44	3.19	2.36	2.36	-	8.0	2450	11.72	95		
22	13	13	-	48	3.54	2.18	2.18	-	( 4.1 - 8.6 )	( 970 - 2810 )	( 4.90 - 13.03 )	( 90 - 98 )	5.93	
24	13	13	-	50	3.87	2.02	2.02	-	7.9	2440	11.67	95		
16	16	13	-	45	2.80	2.80	2.30	-	( 4.3 - 9.0 )	( 980 - 2900 )	( 4.95 - 13.45 )	( 90 - 98 )	6.02	
18	16	13	-	47	2.99	2.69	2.21	-	7.9	2440	11.67	95		
22	16	13	-	51	3.34	2.50	2.06	-	( 4.1 - 8.7 )	( 970 - 2830 )	( 4.90 - 13.13 )	( 90 - 98 )	6.00	
24	16	13	-	53	3.71	2.35	1.93	-	7.9	2440	11.67	95		
18	18	13	-	49	2.88	2.88	2.13	-	( 4.3 - 9.0 )	( 980 - 2900 )	( 4.95 - 13.45 )	( 90 - 98 )	6.03	
22	18	13	-	53	3.27	2.72	2.01	-	8.0	2450	11.72	95		
16	16	16	-	48	2.63	2.63	2.63	-	( 4.1 - 8.7 )	( 970 - 2830 )	( 4.90 - 13.13 )	( 90 - 98 )	6.02	
22	16	16	-	54	3.20	2.40	2.40	-	7.9	2440	11.67	95		
									( 4.3 - 9.0 )	( 980 - 2900 )	( 4.95 - 13.45 )	( 90 - 98 )	6.03	

\*) Application FCU units are RAS-M07N3KV2-E1, RAS-B10N3KV2-E1, RAS-B12N3KV2-E1, RAS-B16N3KV2-E1 only.  
 Note) Combination of indoor units are Suzumi+(RAS-B/M\*\*N3KV2-E1) 13class.

<Combination> CDU: RAS-4M27S3AV-E

<Cooling/220V>

Operating Status	Combination (kBTU)					Unit capacity (kW)				Total				
	A	B	C	D	ΣkBTU	A	B	C	D	Cooling capacity (kW)	Power input (W)	Running Current (A)	Power factor (%)	SEER
4 units operation	07	07	07	07	28	1.78	1.78	1.78	1.78	( 4.0 - 8.6 )	2029	9.71	( 90 - 98 )	6.00
	10	07	07	07	31	2.33	1.72	1.72	1.72	( 4.0 - 8.7 )	2143	10.25	( 90 - 98 )	6.06
	13	07	07	07	34	2.90	1.57	1.57	1.57	( 4.1 - 8.9 )	2171	10.39	( 90 - 98 )	6.06
	16	07	07	07	37	3.30	1.47	1.47	1.47	( 4.1 - 9.0 )	2200	10.53	( 90 - 98 )	6.09
	18	07	07	07	39	3.55	1.42	1.42	1.42	( 4.1 - 9.1 )	2229	10.67	( 90 - 98 )	6.07
	22	07	07	07	43	3.95	1.32	1.32	1.32	( 4.2 - 9.3 )	2257	10.80	( 90 - 98 )	6.10
	24	07	07	07	45	4.28	1.21	1.21	1.21	( 4.2 - 9.3 )	2257	10.80	( 90 - 98 )	6.09
	10	10	07	07	34	2.18	2.18	1.62	1.62	( 4.1 - 8.9 )	2171	10.39	( 90 - 98 )	6.06
	13	10	07	07	37	2.74	2.00	1.48	1.48	( 4.1 - 9.0 )	2200	10.53	( 90 - 98 )	6.08
	16	10	07	07	40	3.13	1.88	1.39	1.39	( 4.1 - 9.1 )	2229	10.67	( 90 - 98 )	6.10
	18	10	07	07	42	3.38	1.82	1.35	1.35	( 4.1 - 9.2 )	2257	10.80	( 90 - 98 )	6.10
	22	10	07	07	46	3.73	1.68	1.24	1.24	( 4.2 - 9.3 )	2257	10.80	( 90 - 98 )	6.10
	24	10	07	07	48	4.06	1.55	1.14	1.14	( 4.2 - 9.3 )	2257	10.80	( 90 - 98 )	6.09
	13	13	07	07	40	2.56	2.56	1.39	1.39	( 4.1 - 9.2 )	2257	10.80	( 90 - 98 )	6.11
	16	13	07	07	43	2.91	2.40	1.30	1.30	( 4.2 - 9.3 )	2257	10.80	( 90 - 98 )	6.10
	18	13	07	07	45	3.11	2.30	1.24	1.24	( 4.2 - 9.3 )	2257	10.80	( 90 - 98 )	6.07
	22	13	07	07	49	3.46	2.13	1.15	1.15	( 4.2 - 9.3 )	2257	10.80	( 90 - 98 )	6.10
	24	13	07	07	51	3.79	1.98	1.07	1.07	( 4.2 - 9.3 )	2257	10.80	( 90 - 98 )	6.09
	16	16	07	07	46	2.73	2.73	1.22	1.22	( 4.2 - 9.3 )	2257	10.80	( 90 - 98 )	6.11
	18	16	07	07	48	2.93	2.63	1.17	1.17	( 4.2 - 9.3 )	2257	10.80	( 90 - 98 )	6.08
	18	18	07	07	50	2.82	2.82	1.13	1.13	( 4.2 - 9.3 )	2257	10.80	( 90 - 98 )	6.05
	10	10	10	07	37	2.03	2.03	2.03	1.50	( 4.1 - 8.9 )	2171	10.39	( 90 - 98 )	6.06
	13	10	10	07	40	2.60	1.90	1.90	1.41	( 4.1 - 9.1 )	2229	10.67	( 90 - 98 )	6.09
	16	10	10	07	43	2.99	1.79	1.79	1.33	( 4.1 - 9.2 )	2257	10.80	( 90 - 98 )	6.12
	18	10	10	07	45	3.19	1.72	1.72	1.27	( 4.2 - 9.3 )	2257	10.80	( 90 - 98 )	6.07
	22	10	10	07	49	3.54	1.59	1.59	1.18	( 4.2 - 9.3 )	2257	10.80	( 90 - 98 )	6.10
	24	10	10	07	51	3.87	1.47	1.47	1.09	( 4.2 - 9.3 )	2257	10.80	( 90 - 98 )	6.09
	13	13	10	07	43	2.42	2.42	1.76	1.31	( 4.2 - 9.3 )	2257	10.80	( 90 - 98 )	6.10
16	13	10	07	46	2.76	2.27	1.65	1.22	( 4.2 - 9.3 )	2257	10.80	( 90 - 98 )	6.10	
18	13	10	07	48	2.95	2.18	1.59	1.18	( 4.2 - 9.3 )	2257	10.80	( 90 - 98 )	6.07	
22	13	10	07	52	3.33	2.06	1.50	1.11	( 4.2 - 9.3 )	2286	10.94	( 90 - 98 )	6.11	
24	13	10	07	54	3.66	1.91	1.39	1.03	( 4.2 - 9.3 )	2286	10.94	( 90 - 98 )	6.10	
16	16	10	07	49	2.59	2.59	1.56	1.15	( 4.2 - 9.3 )	2257	10.80	( 90 - 98 )	6.11	
18	16	10	07	51	2.78	2.50	1.50	1.11	( 4.2 - 9.3 )	2257	10.80	( 90 - 98 )	6.08	
18	18	10	07	53	2.72	2.72	1.47	1.09	( 4.2 - 9.3 )	2286	10.94	( 90 - 98 )	6.06	
13	13	13	07	46	2.23	2.23	2.23	1.21	( 4.2 - 9.3 )	2257	10.80	( 90 - 98 )	6.10	
16	13	13	07	49	2.56	2.10	2.10	1.14	( 4.2 - 9.3 )	2257	10.80	( 90 - 98 )	6.10	
18	13	13	07	51	2.74	2.03	2.03	1.10	( 4.2 - 9.3 )	2257	10.80	( 90 - 98 )	6.07	
16	16	13	07	52	2.45	2.45	2.01	1.09	( 4.2 - 9.3 )	2286	10.94	( 90 - 98 )	6.13	
18	16	13	07	54	2.63	2.37	1.95	1.05	( 4.2 - 9.3 )	2286	10.94	( 90 - 98 )	6.09	
10	10	10	10	40	1.98	1.98	1.98	1.98	( 4.1 - 9.2 )	2257	10.80	( 90 - 98 )	6.11	
13	10	10	10	43	2.48	1.81	1.81	1.81	( 4.1 - 9.2 )	2257	10.80	( 90 - 98 )	6.11	
16	10	10	10	46	2.82	1.69	1.69	1.69	( 4.2 - 9.3 )	2257	10.80	( 90 - 98 )	6.10	
18	10	10	10	48	3.02	1.63	1.63	1.63	( 4.2 - 9.3 )	2257	10.80	( 90 - 98 )	6.07	
22	10	10	10	52	3.40	1.53	1.53	1.53	( 4.2 - 9.3 )	2286	10.94	( 90 - 98 )	6.11	

\* Application FCU units are RAS-M07N3KV2-E1, RAS-B10N3KV2-E1, RAS-B12N3KV2-E1, RAS-B16N3KV2-E1 only.  
 Note) Combination of indoor units are Suzumi+(RAS-B/M\*\*N3KV2-E1) 13class.

&lt;Combination&gt; CDU: RAS-4M27S3AV-E

&lt;Cooling/220V&gt;

Operating Status	Combination (kBTU)					Unit capacity (kW)				Total				
	A	B	C	D	ΣkBTU	A	B	C	D	Cooling capacity (kW)	Power input (W)	Running Current (A)	Power factor (%)	SEER
4 units operation	24	10	10	10	54	3.74	1.42	1.42	1.42	8.0 ( 4.2 - 9.3 )	2286 ( 950 - 2820 )	10.94 ( 4.80 - 13.08 )	95 ( 90 - 98 )	6.10
	13	13	10	10	46	2.28	2.28	1.67	1.67	7.9 ( 4.2 - 9.3 )	2257 ( 950 - 2820 )	10.80 ( 4.80 - 13.08 )	95 ( 90 - 98 )	6.10
	16	13	10	10	49	2.61	2.15	1.57	1.57	7.9 ( 4.2 - 9.3 )	2257 ( 950 - 2820 )	10.80 ( 4.80 - 13.08 )	95 ( 90 - 98 )	6.10
	16	16	10	10	52	2.50	2.50	1.50	1.50	8.0 ( 4.2 - 9.3 )	2286 ( 950 - 2820 )	10.94 ( 4.80 - 13.08 )	95 ( 90 - 98 )	6.13
	18	13	10	10	51	2.80	2.07	1.51	1.51	7.9 ( 4.2 - 9.3 )	2257 ( 950 - 2820 )	10.80 ( 4.80 - 13.08 )	95 ( 90 - 98 )	6.07
	18	16	10	10	54	2.68	2.42	1.45	1.45	8.0 ( 4.2 - 9.3 )	2286 ( 950 - 2820 )	10.94 ( 4.80 - 13.08 )	95 ( 90 - 98 )	6.09
	13	13	13	10	49	2.12	2.12	2.12	1.55	7.9 ( 4.2 - 9.3 )	2257 ( 950 - 2820 )	10.80 ( 4.80 - 13.08 )	95 ( 90 - 98 )	6.10
	16	13	13	10	52	2.47	2.03	2.03	1.48	8.0 ( 4.2 - 9.3 )	2286 ( 950 - 2820 )	10.94 ( 4.80 - 13.08 )	95 ( 90 - 98 )	6.12
	18	13	13	10	54	2.65	1.96	1.96	1.43	8.0 ( 4.2 - 9.3 )	2286 ( 950 - 2820 )	10.94 ( 4.80 - 13.08 )	95 ( 90 - 98 )	6.09
	13	13	13	13	52	2.00	2.00	2.00	2.00	8.0 ( 4.2 - 9.3 )	2286 ( 950 - 2820 )	10.94 ( 4.80 - 13.08 )	95 ( 90 - 98 )	6.11

\*) Application FCU units are RAS-M07N3KV2-E1, RAS-B10N3KV2-E1, RAS-B12N3KV2-E1, RAS-B16N3KV2-E1 only.

Note) Combination of indoor units are Suzumi+(RAS-B/M\*\*N3KV2-E1) 13class.



<Combination> CDU: RAS-4M27S3AV-E

<Cooling/230V>

Operating Status	Combination (kBTU)					Unit capacity (kW)				Total				
	A	B	C	D	ΣkBTU	A	B	C	D	Cooling capacity (kW)	Power input (W)	Running Current (A)	Power factor (%)	SEER
2 units operation	07	07	-	-	14	2.00	2.00	-	-	4.0 ( 2.5 - 5 )	1520 ( 640 - 1770 )	6.96 ( 3.48 - 7.85 )	95 ( 80 - 98 )	6.19
	10	07	-	-	17	2.70	2.00	-	-	4.7 ( 2.5 - 5.7 )	1530 ( 640 - 1910 )	7.00 ( 3.48 - 8.47 )	95 ( 80 - 98 )	6.28
	13	07	-	-	20	3.70	2.00	-	-	5.7 ( 2.6 - 6.5 )	1810 ( 660 - 2130 )	8.28 ( 3.59 - 9.45 )	95 ( 80 - 98 )	6.34
	16	07	-	-	23	4.08	1.82	-	-	5.9 ( 2.7 - 6.6 )	1810 ( 660 - 2220 )	8.28 ( 3.59 - 9.85 )	95 ( 80 - 98 )	6.30
	18	07	-	-	25	4.50	1.80	-	-	6.3 ( 2.9 - 6.9 )	2040 ( 670 - 2400 )	9.34 ( 3.64 - 10.65 )	95 ( 80 - 98 )	6.28
	22	07	-	-	29	4.73	1.58	-	-	6.3 ( 2.9 - 6.9 )	2040 ( 670 - 2400 )	9.34 ( 3.64 - 10.65 )	95 ( 80 - 98 )	6.32
	24	07	-	-	31	5.31	1.49	-	-	6.8 ( 3.0 - 7.2 )	2320 ( 690 - 2570 )	10.62 ( 3.75 - 11.40 )	95 ( 80 - 98 )	6.35
	10	10	-	-	20	2.70	2.70	-	-	5.4 ( 2.5 - 6.3 )	1530 ( 640 - 2040 )	7.00 ( 3.48 - 9.05 )	95 ( 80 - 98 )	6.30
	13	10	-	-	23	3.41	2.49	-	-	5.9 ( 2.7 - 6.6 )	1810 ( 660 - 2220 )	8.28 ( 3.59 - 9.85 )	95 ( 80 - 98 )	6.31
	16	10	-	-	26	3.94	2.36	-	-	6.3 ( 2.9 - 6.9 )	2040 ( 670 - 2400 )	9.34 ( 3.64 - 10.65 )	95 ( 80 - 98 )	6.18
	18	10	-	-	28	4.09	2.21	-	-	6.3 ( 2.9 - 6.9 )	2040 ( 670 - 2400 )	9.34 ( 3.64 - 10.65 )	95 ( 80 - 98 )	6.28
	24	10	-	-	34	5.22	1.98	-	-	7.2 ( 3.2 - 7.5 )	2550 ( 700 - 2750 )	11.67 ( 3.80 - 12.20 )	95 ( 80 - 98 )	6.41
	13	13	-	-	26	3.15	3.15	-	-	6.3 ( 2.9 - 6.9 )	2040 ( 670 - 2400 )	9.34 ( 3.64 - 10.65 )	95 ( 80 - 98 )	6.17
	16	13	-	-	29	3.73	3.07	-	-	6.8 ( 3.0 - 7.2 )	2320 ( 690 - 2570 )	10.62 ( 3.75 - 11.40 )	95 ( 80 - 98 )	6.08
	18	13	-	-	31	3.91	2.89	-	-	6.8 ( 3.0 - 7.2 )	2320 ( 690 - 2570 )	10.62 ( 3.75 - 11.40 )	95 ( 80 - 98 )	6.33
	22	13	-	-	35	4.45	2.75	-	-	7.2 ( 3.2 - 7.5 )	2550 ( 700 - 2750 )	11.67 ( 3.80 - 12.20 )	95 ( 80 - 98 )	6.42
	24	13	-	-	37	4.73	2.47	-	-	7.2 ( 3.2 - 7.5 )	2550 ( 700 - 2750 )	11.67 ( 3.80 - 12.20 )	95 ( 80 - 98 )	6.41
	16	16	-	-	32	3.60	3.60	-	-	7.2 ( 3.2 - 7.5 )	2550 ( 700 - 2750 )	11.67 ( 3.80 - 12.20 )	95 ( 80 - 98 )	6.44
	18	16	-	-	34	3.79	3.41	-	-	7.2 ( 3.2 - 7.5 )	2550 ( 700 - 2750 )	11.67 ( 3.80 - 12.20 )	95 ( 80 - 98 )	6.39
	22	16	-	-	38	4.17	3.13	-	-	7.3 ( 3.2 - 7.5 )	2550 ( 700 - 2750 )	11.67 ( 3.80 - 12.20 )	95 ( 80 - 98 )	6.41
	24	16	-	-	40	4.47	2.83	-	-	7.3 ( 3.2 - 7.5 )	2550 ( 700 - 2750 )	11.67 ( 3.80 - 12.20 )	95 ( 80 - 98 )	6.40
	18	18	-	-	36	3.60	3.60	-	-	7.2 ( 3.2 - 7.5 )	2550 ( 700 - 2750 )	11.67 ( 3.80 - 12.20 )	95 ( 80 - 98 )	6.35
	22	18	-	-	40	4.04	3.36	-	-	7.4 ( 3.2 - 7.5 )	2550 ( 700 - 2750 )	11.67 ( 3.80 - 12.20 )	95 ( 80 - 98 )	6.39
	24	18	-	-	42	4.34	3.06	-	-	7.4 ( 3.2 - 7.5 )	2550 ( 700 - 2750 )	11.67 ( 3.80 - 12.20 )	95 ( 80 - 98 )	6.39
3 units operation	07	07	07	-	21	2.00	2.00	2.00	-	6.0 ( 3.8 - 7.5 )	2400 ( 950 - 2720 )	10.98 ( 4.59 - 12.07 )	95 ( 90 - 98 )	5.55
	10	07	07	-	24	2.70	2.00	2.00	-	6.7 ( 3.8 - 8.2 )	2400 ( 950 - 2720 )	10.98 ( 4.59 - 12.07 )	95 ( 90 - 98 )	5.72
	13	07	07	-	27	3.65	1.97	1.97	-	7.6 ( 3.9 - 8.3 )	2410 ( 960 - 2740 )	11.03 ( 4.64 - 12.16 )	95 ( 90 - 98 )	5.83
	16	07	07	-	30	4.08	1.81	1.81	-	7.7 ( 4.0 - 8.5 )	2410 ( 960 - 2790 )	11.03 ( 4.64 - 12.38 )	95 ( 90 - 98 )	5.84
	18	07	07	-	32	4.28	1.71	1.71	-	7.7 ( 4.0 - 8.5 )	2410 ( 960 - 2790 )	11.03 ( 4.64 - 12.38 )	95 ( 90 - 98 )	5.80
	22	07	07	-	36	4.68	1.56	1.56	-	7.8 ( 4.1 - 8.6 )	2430 ( 970 - 2810 )	11.12 ( 4.69 - 12.47 )	95 ( 90 - 98 )	6.02
	24	07	07	-	38	4.99	1.41	1.41	-	7.8 ( 4.1 - 8.6 )	2430 ( 970 - 2810 )	11.12 ( 4.69 - 12.47 )	95 ( 90 - 98 )	6.02
	10	10	07	-	27	2.70	2.70	2.00	-	7.4 ( 3.8 - 8.2 )	2400 ( 950 - 2720 )	10.98 ( 4.59 - 12.07 )	95 ( 90 - 98 )	5.82
	13	10	07	-	30	3.39	2.48	1.83	-	7.7 ( 3.9 - 8.3 )	2410 ( 960 - 2740 )	11.03 ( 4.64 - 12.16 )	95 ( 90 - 98 )	5.83
	16	10	07	-	33	3.77	2.26	1.67	-	7.7 ( 4.0 - 8.5 )	2410 ( 960 - 2790 )	11.03 ( 4.64 - 12.38 )	95 ( 90 - 98 )	5.83
	18	10	07	-	35	3.97	2.14	1.59	-	7.7 ( 4.0 - 8.5 )	2410 ( 960 - 2790 )	11.03 ( 4.64 - 12.38 )	95 ( 90 - 98 )	5.80
	22	10	07	-	39	4.37	1.97	1.46	-	7.8 ( 4.1 - 8.6 )	2430 ( 970 - 2810 )	11.12 ( 4.69 - 12.47 )	95 ( 90 - 98 )	6.02
24	10	07	-	41	4.69	1.78	1.32	-	7.8 ( 4.1 - 8.6 )	2430 ( 970 - 2810 )	11.12 ( 4.69 - 12.47 )	95 ( 90 - 98 )	6.02	

\* ) Application FCU units are RAS-M07N3KV2-E1, RAS-B10N3KV2-E1, RAS-B12N3KV2-E1, RAS-B16N3KV2-E1 only.  
 Note) Combination of indoor units are Suzumi+(RAS-B/M\*\*N3KV2-E1) 13class.

<Combination> CDU: RAS-4M27S3AV-E

<Cooling/230V>

Operating Status	Combination (kBTU)					Unit capacity (kW)				Total				
	A	B	C	D	ΣkBTU	A	B	C	D	Cooling capacity (kW)	Power input (W)	Running Current (A)	Power factor (%)	SEER
											( 4.0 - 8.5 )	( 960 - 2790 )	( 4.64 - 12.38 )	( 90 - 98 )
3 units operation	13	13	07	-	33	3.03	3.03	1.64	-	7.7	2410	11.03	95	5.82
	16	13	07	-	36	3.44	2.83	1.53	-	( 4.1 - 8.6 )	( 970 - 2810 )	( 4.69 - 12.47 )	( 90 - 98 )	
	18	13	07	-	38	3.64	2.70	1.46	-	7.8	2430	11.12	95	
	22	13	07	-	42	4.00	2.47	1.33	-	( 4.1 - 8.6 )	( 970 - 2810 )	( 4.69 - 12.47 )	( 90 - 98 )	
	24	13	07	-	44	4.38	2.28	1.23	-	7.8	2430	11.12	95	
	16	16	07	-	39	3.19	3.19	1.42	-	( 4.1 - 8.7 )	( 970 - 2830 )	( 4.69 - 12.56 )	( 90 - 98 )	
	18	16	07	-	41	3.39	3.05	1.36	-	7.8	2430	11.12	95	
	22	16	07	-	45	3.79	2.84	1.26	-	( 4.1 - 8.6 )	( 970 - 2810 )	( 4.69 - 12.47 )	( 90 - 98 )	
	24	16	07	-	47	4.12	2.61	1.16	-	7.9	2440	11.17	95	
	18	18	07	-	43	3.29	3.29	1.32	-	( 4.1 - 8.7 )	( 970 - 2830 )	( 4.69 - 12.56 )	( 90 - 98 )	
	22	18	07	-	47	3.65	3.04	1.22	-	7.9	2440	11.17	95	
	24	18	07	-	49	3.98	2.80	1.12	-	( 4.1 - 8.7 )	( 970 - 2830 )	( 4.69 - 12.56 )	( 90 - 98 )	
	10	10	10	-	30	2.53	2.53	2.53	-	7.6	2400	10.98	95	
	13	10	10	-	33	3.13	2.28	2.28	-	( 3.8 - 8.2 )	( 950 - 2720 )	( 4.59 - 12.07 )	( 90 - 98 )	
	16	10	10	-	36	3.50	2.10	2.10	-	7.7	2410	11.03	95	
	18	10	10	-	38	3.70	2.00	2.00	-	( 4.0 - 8.5 )	( 960 - 2790 )	( 4.64 - 12.38 )	( 90 - 98 )	
	22	10	10	-	42	4.16	1.87	1.87	-	7.7	2410	11.03	95	
	24	10	10	-	44	4.49	1.71	1.71	-	( 4.1 - 8.7 )	( 970 - 2830 )	( 4.69 - 12.56 )	( 90 - 98 )	
	13	13	10	-	36	2.82	2.82	2.06	-	7.7	2410	11.03	95	
	16	13	10	-	39	3.22	2.65	1.93	-	( 4.0 - 8.5 )	( 960 - 2790 )	( 4.64 - 12.38 )	( 90 - 98 )	
	18	13	10	-	41	3.42	2.53	1.85	-	7.8	2430	11.12	95	
	22	13	10	-	45	3.82	2.36	1.72	-	( 4.1 - 8.6 )	( 970 - 2810 )	( 4.69 - 12.47 )	( 90 - 98 )	
	24	13	10	-	47	4.15	2.17	1.58	-	7.9	2440	11.17	95	
	16	16	10	-	42	3.04	3.04	1.82	-	( 4.1 - 8.7 )	( 970 - 2830 )	( 4.69 - 12.56 )	( 90 - 98 )	
	18	16	10	-	44	3.20	2.88	1.73	-	7.8	2430	11.12	95	
	22	16	10	-	48	3.59	2.69	1.62	-	( 4.1 - 8.6 )	( 970 - 2810 )	( 4.69 - 12.47 )	( 90 - 98 )	
	24	16	10	-	50	3.92	2.49	1.49	-	7.9	2440	11.17	95	
	18	18	10	-	46	3.11	3.11	1.68	-	( 4.3 - 9.0 )	( 980 - 2900 )	( 4.73 - 12.87 )	( 90 - 98 )	
22	18	10	-	50	3.46	2.88	1.56	-	7.9	2440	11.17	95		
24	18	10	-	52	3.84	2.70	1.46	-	( 4.1 - 8.7 )	( 970 - 2830 )	( 4.69 - 12.56 )	( 90 - 98 )		
13	13	13	-	39	2.60	2.60	2.60	-	8.0	2450	11.21	95		
16	13	13	-	42	2.99	2.46	2.46	-	( 4.3 - 9.0 )	( 980 - 2900 )	( 4.73 - 12.87 )	( 90 - 98 )		
18	13	13	-	44	3.19	2.36	2.36	-	7.8	2430	11.12	95		
22	13	13	-	48	3.54	2.18	2.18	-	( 4.1 - 8.6 )	( 970 - 2810 )	( 4.69 - 12.47 )	( 90 - 98 )		
24	13	13	-	50	3.87	2.02	2.02	-	7.9	2440	11.17	95		
16	16	13	-	45	2.80	2.80	2.30	-	( 4.3 - 9.0 )	( 980 - 2900 )	( 4.73 - 12.87 )	( 90 - 98 )		
18	16	13	-	47	2.99	2.69	2.21	-	7.9	2440	11.17	95		
22	16	13	-	51	3.34	2.50	2.06	-	( 4.1 - 8.7 )	( 970 - 2830 )	( 4.69 - 12.56 )	( 90 - 98 )		
24	16	13	-	53	3.71	2.35	1.93	-	7.9	2440	11.17	95		
18	18	13	-	49	2.88	2.88	2.13	-	( 4.3 - 9.0 )	( 980 - 2900 )	( 4.73 - 12.87 )	( 90 - 98 )		
22	18	13	-	53	3.27	2.72	2.01	-	8.0	2450	11.21	95		
16	16	16	-	48	2.63	2.63	2.63	-	( 4.1 - 8.7 )	( 970 - 2830 )	( 4.69 - 12.56 )	( 90 - 98 )		
22	16	16	-	54	3.20	2.40	2.40	-	7.9	2440	11.17	95		
									8.0	2450	11.21	95	6.03	

\*) Application FCU units are RAS-M07N3KV2-E1, RAS-B10N3KV2-E1, RAS-B12N3KV2-E1, RAS-B16N3KV2-E1 only.  
 Note) Combination of indoor units are Suzumi+(RAS-B/M\*\*N3KV2-E1) 13class.

<Combination> CDU: RAS-4M27S3AV-E

<Cooling/230V>

Operating Status	Combination (kBTU)					Unit capacity (kW)				Total				
	A	B	C	D	ΣkBTU	A	B	C	D	Cooling capacity (kW)	Power input (W)	Running Current (A)	Power factor (%)	SEER
4 units operation	07	07	07	07	28	1.78	1.78	1.78	1.78	( 4.0 - 8.6 )	2029	9.29	( 90 - 98 )	6.00
	10	07	07	07	31	2.33	1.72	1.72	1.72	( 4.0 - 8.7 )	2143	9.81	( 90 - 98 )	
	13	07	07	07	34	2.90	1.57	1.57	1.57	( 4.1 - 8.9 )	2171	9.94	( 90 - 98 )	
	16	07	07	07	37	3.30	1.47	1.47	1.47	( 4.1 - 9.0 )	2200	10.07	( 90 - 98 )	
	18	07	07	07	39	3.55	1.42	1.42	1.42	( 4.1 - 9.1 )	2229	10.20	( 90 - 98 )	
	22	07	07	07	43	3.95	1.32	1.32	1.32	( 4.2 - 9.3 )	2257	10.33	( 90 - 98 )	
	24	07	07	07	45	4.28	1.21	1.21	1.21	( 4.2 - 9.3 )	2257	10.33	( 90 - 98 )	
	10	10	07	07	34	2.18	2.18	1.62	1.62	( 4.1 - 8.9 )	2171	9.94	( 90 - 98 )	
	13	10	07	07	37	2.74	2.00	1.48	1.48	( 4.1 - 9.0 )	2200	10.07	( 90 - 98 )	
	16	10	07	07	40	3.13	1.88	1.39	1.39	( 4.1 - 9.1 )	2229	10.20	( 90 - 98 )	
	18	10	07	07	42	3.38	1.82	1.35	1.35	( 4.1 - 9.2 )	2257	10.33	( 90 - 98 )	
	22	10	07	07	46	3.73	1.68	1.24	1.24	( 4.2 - 9.3 )	2257	10.33	( 90 - 98 )	
	24	10	07	07	48	4.06	1.55	1.14	1.14	( 4.2 - 9.3 )	2257	10.33	( 90 - 98 )	
	13	13	07	07	40	2.56	2.56	1.39	1.39	( 4.1 - 9.2 )	2257	10.33	( 90 - 98 )	
	16	13	07	07	43	2.91	2.40	1.30	1.30	( 4.2 - 9.3 )	2257	10.33	( 90 - 98 )	
	18	13	07	07	45	3.11	2.30	1.24	1.24	( 4.2 - 9.3 )	2257	10.33	( 90 - 98 )	
	22	13	07	07	49	3.46	2.13	1.15	1.15	( 4.2 - 9.3 )	2257	10.33	( 90 - 98 )	
	24	13	07	07	51	3.79	1.98	1.07	1.07	( 4.2 - 9.3 )	2257	10.33	( 90 - 98 )	
	16	16	07	07	46	2.73	2.73	1.22	1.22	( 4.2 - 9.3 )	2257	10.33	( 90 - 98 )	
	18	16	07	07	48	2.93	2.63	1.17	1.17	( 4.2 - 9.3 )	2257	10.33	( 90 - 98 )	
	18	18	07	07	50	2.82	2.82	1.13	1.13	( 4.2 - 9.3 )	2257	10.33	( 90 - 98 )	
	10	10	10	07	37	2.03	2.03	2.03	1.50	( 4.1 - 8.9 )	2171	9.94	( 90 - 98 )	
	13	10	10	07	40	2.60	1.90	1.90	1.41	( 4.1 - 9.1 )	2229	10.20	( 90 - 98 )	
	16	10	10	07	43	2.99	1.79	1.79	1.33	( 4.1 - 9.2 )	2257	10.33	( 90 - 98 )	
18	10	10	07	45	3.19	1.72	1.72	1.27	( 4.2 - 9.3 )	2257	10.33	( 90 - 98 )		
22	10	10	07	49	3.54	1.59	1.59	1.18	( 4.2 - 9.3 )	2257	10.33	( 90 - 98 )		
24	10	10	07	51	3.87	1.47	1.47	1.09	( 4.2 - 9.3 )	2257	10.33	( 90 - 98 )		
13	13	10	07	43	2.42	2.42	1.76	1.31	( 4.2 - 9.3 )	2257	10.33	( 90 - 98 )		
16	13	10	07	46	2.76	2.27	1.65	1.22	( 4.2 - 9.3 )	2257	10.33	( 90 - 98 )		
18	13	10	07	48	2.95	2.18	1.59	1.18	( 4.2 - 9.3 )	2257	10.33	( 90 - 98 )		
22	13	10	07	52	3.33	2.06	1.50	1.11	( 4.2 - 9.3 )	2286	10.46	( 90 - 98 )		
24	13	10	07	54	3.66	1.91	1.39	1.03	( 4.2 - 9.3 )	2286	10.46	( 90 - 98 )		
16	16	10	07	49	2.59	2.59	1.56	1.15	( 4.2 - 9.3 )	2257	10.33	( 90 - 98 )		
18	16	10	07	51	2.78	2.50	1.50	1.11	( 4.2 - 9.3 )	2257	10.33	( 90 - 98 )		
18	18	10	07	53	2.72	2.72	1.47	1.09	( 4.2 - 9.3 )	2286	10.46	( 90 - 98 )		
13	13	13	07	46	2.23	2.23	2.23	1.21	( 4.2 - 9.3 )	2257	10.33	( 90 - 98 )		
16	13	13	07	49	2.56	2.10	2.10	1.14	( 4.2 - 9.3 )	2257	10.33	( 90 - 98 )		
18	13	13	07	51	2.74	2.03	2.03	1.10	( 4.2 - 9.3 )	2257	10.33	( 90 - 98 )		
16	16	13	07	52	2.45	2.45	2.01	1.09	( 4.2 - 9.3 )	2286	10.46	( 90 - 98 )		
18	16	13	07	54	2.63	2.37	1.95	1.05	( 4.2 - 9.3 )	2286	10.46	( 90 - 98 )		
10	10	10	10	40	1.98	1.98	1.98	1.98	( 4.1 - 9.2 )	2257	10.33	( 90 - 98 )		
13	10	10	10	43	2.48	1.81	1.81	1.81	( 4.1 - 9.2 )	2257	10.33	( 90 - 98 )		
16	10	10	10	46	2.82	1.69	1.69	1.69	( 4.2 - 9.3 )	2257	10.33	( 90 - 98 )		
18	10	10	10	48	3.02	1.63	1.63	1.63	( 4.2 - 9.3 )	2257	10.33	( 90 - 98 )		
22	10	10	10	52	3.40	1.53	1.53	1.53	( 4.2 - 9.3 )	2286	10.46	( 90 - 98 )		

\*) Application FCU units are RAS-M07N3KV2-E1, RAS-B10N3KV2-E1, RAS-B12N3KV2-E1, RAS-B16N3KV2-E1 only.  
 Note) Combination of indoor units are Suzumi+(RAS-B/M\*\*N3KV2-E1) 13class.

<Combination> CDU: RAS-4M27S3AV-E

<Cooling/230V>

Operating Status	Combination (kBTU)					Unit capacity (kW)				Total				
	A	B	C	D	ΣkBTU	A	B	C	D	Cooling capacity (kW)	Power input (W)	Running Current (A)	Power factor (%)	SEER
4 units operation	24	10	10	10	54	3.74	1.42	1.42	1.42	8.0 ( 4.2 - 9.3 )	2286 ( 950 - 2820 )	10.46 ( 4.59 - 12.51 )	95 ( 90 - 98 )	6.10
	13	13	10	10	46	2.28	2.28	1.67	1.67	7.9 ( 4.2 - 9.3 )	2257 ( 950 - 2820 )	10.33 ( 4.59 - 12.51 )	95 ( 90 - 98 )	6.10
	16	13	10	10	49	2.61	2.15	1.57	1.57	7.9 ( 4.2 - 9.3 )	2257 ( 950 - 2820 )	10.33 ( 4.59 - 12.51 )	95 ( 90 - 98 )	6.10
	16	16	10	10	52	2.50	2.50	1.50	1.50	8.0 ( 4.2 - 9.3 )	2286 ( 950 - 2820 )	10.46 ( 4.59 - 12.51 )	95 ( 90 - 98 )	6.13
	18	13	10	10	51	2.80	2.07	1.51	1.51	7.9 ( 4.2 - 9.3 )	2257 ( 950 - 2820 )	10.33 ( 4.59 - 12.51 )	95 ( 90 - 98 )	6.07
	18	16	10	10	54	2.68	2.42	1.45	1.45	8.0 ( 4.2 - 9.3 )	2286 ( 950 - 2820 )	10.46 ( 4.59 - 12.51 )	95 ( 90 - 98 )	6.09
	13	13	13	10	49	2.12	2.12	2.12	1.55	7.9 ( 4.2 - 9.3 )	2257 ( 950 - 2820 )	10.33 ( 4.59 - 12.51 )	95 ( 90 - 98 )	6.10
	16	13	13	10	52	2.47	2.03	2.03	1.48	8.0 ( 4.2 - 9.3 )	2286 ( 950 - 2820 )	10.46 ( 4.59 - 12.51 )	95 ( 90 - 98 )	6.12
	18	13	13	10	54	2.65	1.96	1.96	1.43	8.0 ( 4.2 - 9.3 )	2286 ( 950 - 2820 )	10.46 ( 4.59 - 12.51 )	95 ( 90 - 98 )	6.09
	13	13	13	13	52	2.00	2.00	2.00	2.00	8.0 ( 4.2 - 9.3 )	2286 ( 950 - 2820 )	10.46 ( 4.59 - 12.51 )	95 ( 90 - 98 )	6.11

\*) Application FCU units are RAS-M07N3KV2-E1, RAS-B10N3KV2-E1, RAS-B12N3KV2-E1, RAS-B16N3KV2-E1 only.

Note) Combination of indoor units are Suzumi+(RAS-B/M\*\*N3KV2-E1) 13class.

<Combination> CDU: RAS-4M27S3AV-E

<Cooling/240V>

Operating Status	Combination (kBTU)					Unit capacity (kW)				Total				
	A	B	C	D	ΣkBTU	A	B	C	D	Cooling capacity (kW)	Power input (W)	Running Current (A)	Power factor (%)	SEER
2 units operation	07	07	-	-	14	2.00	2.00	-	-	4.0 ( 2.5 - 5 )	1520 ( 640 - 1770 )	6.67 ( 3.33 - 7.53 )	95 ( 80 - 98 )	6.19
	10	07	-	-	17	2.70	2.00	-	-	4.7 ( 2.5 - 5.7 )	1530 ( 640 - 1910 )	6.71 ( 3.33 - 8.12 )	95 ( 80 - 98 )	6.28
	13	07	-	-	20	3.70	2.00	-	-	5.7 ( 2.6 - 6.5 )	1810 ( 660 - 2130 )	7.94 ( 3.44 - 9.06 )	95 ( 80 - 98 )	6.34
	16	07	-	-	23	4.08	1.82	-	-	5.9 ( 2.7 - 6.6 )	1810 ( 660 - 2220 )	7.94 ( 3.44 - 9.44 )	95 ( 80 - 98 )	6.30
	18	07	-	-	25	4.50	1.80	-	-	6.3 ( 2.9 - 6.9 )	2040 ( 670 - 2400 )	8.95 ( 3.49 - 10.20 )	95 ( 80 - 98 )	6.28
	22	07	-	-	29	4.73	1.58	-	-	6.3 ( 2.9 - 6.9 )	2040 ( 670 - 2400 )	8.95 ( 3.49 - 10.20 )	95 ( 80 - 98 )	6.32
	24	07	-	-	31	5.31	1.49	-	-	6.8 ( 3.0 - 7.2 )	2320 ( 690 - 2570 )	10.18 ( 3.59 - 10.93 )	95 ( 80 - 98 )	6.35
	10	10	-	-	20	2.70	2.70	-	-	5.4 ( 2.5 - 6.3 )	1530 ( 640 - 2040 )	6.71 ( 3.33 - 8.67 )	95 ( 80 - 98 )	6.30
	13	10	-	-	23	3.41	2.49	-	-	5.9 ( 2.7 - 6.6 )	1810 ( 660 - 2220 )	7.94 ( 3.44 - 9.44 )	95 ( 80 - 98 )	6.31
	16	10	-	-	26	3.94	2.36	-	-	6.3 ( 2.9 - 6.9 )	2040 ( 670 - 2400 )	8.95 ( 3.49 - 10.20 )	95 ( 80 - 98 )	6.18
	18	10	-	-	28	4.09	2.21	-	-	6.3 ( 2.9 - 6.9 )	2040 ( 670 - 2400 )	8.95 ( 3.49 - 10.20 )	95 ( 80 - 98 )	6.28
	24	10	-	-	34	5.22	1.98	-	-	7.2 ( 3.2 - 7.5 )	2550 ( 700 - 2750 )	11.18 ( 3.65 - 11.69 )	95 ( 80 - 98 )	6.41
	13	13	-	-	26	3.15	3.15	-	-	6.3 ( 2.9 - 6.9 )	2040 ( 670 - 2400 )	8.95 ( 3.49 - 10.20 )	95 ( 80 - 98 )	6.17
	16	13	-	-	29	3.73	3.07	-	-	6.8 ( 3.0 - 7.2 )	2320 ( 690 - 2570 )	10.18 ( 3.59 - 10.93 )	95 ( 80 - 98 )	6.08
	18	13	-	-	31	3.91	2.89	-	-	6.8 ( 3.0 - 7.2 )	2320 ( 690 - 2570 )	10.18 ( 3.59 - 10.93 )	95 ( 80 - 98 )	6.33
	22	13	-	-	35	4.45	2.75	-	-	7.2 ( 3.2 - 7.5 )	2550 ( 700 - 2750 )	11.18 ( 3.65 - 11.69 )	95 ( 80 - 98 )	6.42
	24	13	-	-	37	4.73	2.47	-	-	7.2 ( 3.2 - 7.5 )	2550 ( 700 - 2750 )	11.18 ( 3.65 - 11.69 )	95 ( 80 - 98 )	6.41
	16	16	-	-	32	3.60	3.60	-	-	7.2 ( 3.2 - 7.5 )	2550 ( 700 - 2750 )	11.18 ( 3.65 - 11.69 )	95 ( 80 - 98 )	6.44
	18	16	-	-	34	3.79	3.41	-	-	7.2 ( 3.2 - 7.5 )	2550 ( 700 - 2750 )	11.18 ( 3.65 - 11.69 )	95 ( 80 - 98 )	6.39
	22	16	-	-	38	4.17	3.13	-	-	7.3 ( 3.2 - 7.5 )	2550 ( 700 - 2750 )	11.18 ( 3.65 - 11.69 )	95 ( 80 - 98 )	6.41
	24	16	-	-	40	4.47	2.83	-	-	7.3 ( 3.2 - 7.5 )	2550 ( 700 - 2750 )	11.18 ( 3.65 - 11.69 )	95 ( 80 - 98 )	6.40
	18	18	-	-	36	3.60	3.60	-	-	7.2 ( 3.2 - 7.5 )	2550 ( 700 - 2750 )	11.18 ( 3.65 - 11.69 )	95 ( 80 - 98 )	6.35
	22	18	-	-	40	4.04	3.36	-	-	7.4 ( 3.2 - 7.5 )	2550 ( 700 - 2750 )	11.18 ( 3.65 - 11.69 )	95 ( 80 - 98 )	6.39
	24	18	-	-	42	4.34	3.06	-	-	7.4 ( 3.2 - 7.5 )	2550 ( 700 - 2750 )	11.18 ( 3.65 - 11.69 )	95 ( 80 - 98 )	6.39
3 units operation	07	07	07	-	21	2.00	2.00	2.00	-	6.0 ( 3.8 - 7.5 )	2400 ( 950 - 2720 )	10.53 ( 4.40 - 11.56 )	95 ( 90 - 98 )	5.55
	10	07	07	-	24	2.70	2.00	2.00	-	6.7 ( 3.8 - 8.2 )	2400 ( 950 - 2720 )	10.53 ( 4.40 - 11.56 )	95 ( 90 - 98 )	5.72
	13	07	07	-	27	3.65	1.97	1.97	-	7.6 ( 3.9 - 8.3 )	2410 ( 960 - 2740 )	10.57 ( 4.44 - 11.65 )	95 ( 90 - 98 )	5.83
	16	07	07	-	30	4.08	1.81	1.81	-	7.7 ( 4.0 - 8.5 )	2410 ( 960 - 2790 )	10.57 ( 4.44 - 11.86 )	95 ( 90 - 98 )	5.84
	18	07	07	-	32	4.28	1.71	1.71	-	7.7 ( 4.0 - 8.5 )	2410 ( 960 - 2790 )	10.57 ( 4.44 - 11.86 )	95 ( 90 - 98 )	5.80
	22	07	07	-	36	4.68	1.56	1.56	-	7.8 ( 4.1 - 8.6 )	2430 ( 970 - 2810 )	10.66 ( 4.49 - 11.95 )	95 ( 90 - 98 )	6.02
	24	07	07	-	38	4.99	1.41	1.41	-	7.8 ( 4.1 - 8.6 )	2430 ( 970 - 2810 )	10.66 ( 4.49 - 11.95 )	95 ( 90 - 98 )	6.02
	10	10	07	-	27	2.70	2.70	2.00	-	7.4 ( 3.8 - 8.2 )	2400 ( 950 - 2720 )	10.53 ( 4.40 - 11.56 )	95 ( 90 - 98 )	5.82
	13	10	07	-	30	3.39	2.48	1.83	-	7.7 ( 3.9 - 8.3 )	2410 ( 960 - 2740 )	10.57 ( 4.44 - 11.65 )	95 ( 90 - 98 )	5.83
	16	10	07	-	33	3.77	2.26	1.67	-	7.7 ( 4.0 - 8.5 )	2410 ( 960 - 2790 )	10.57 ( 4.44 - 11.86 )	95 ( 90 - 98 )	5.83
	18	10	07	-	35	3.97	2.14	1.59	-	7.7 ( 4.0 - 8.5 )	2410 ( 960 - 2790 )	10.57 ( 4.44 - 11.86 )	95 ( 90 - 98 )	5.80
	22	10	07	-	39	4.37	1.97	1.46	-	7.8 ( 4.1 - 8.6 )	2430 ( 970 - 2810 )	10.66 ( 4.49 - 11.95 )	95 ( 90 - 98 )	6.02
24	10	07	-	41	4.69	1.78	1.32	-	7.8 ( 4.1 - 8.6 )	2430 ( 970 - 2810 )	10.66 ( 4.49 - 11.95 )	95 ( 90 - 98 )	6.02	

\*) Application FCU units are RAS-M07N3KV2-E1, RAS-B10N3KV2-E1, RAS-B12N3KV2-E1, RAS-B16N3KV2-E1 only.  
 Note) Combination of indoor units are Suzumi+(RAS-B/M\*\*N3KV2-E1) 13class.

<Combination> CDU: RAS-4M27S3AV-E

<Cooling/240V>

Operating Status	Combination (kBTU)					Unit capacity (kW)				Total				
	A	B	C	D	ΣkBTU	A	B	C	D	Cooling capacity (kW)	Power input (W)	Running Current (A)	Power factor (%)	SEER
											( 4.0 - 8.5 )	( 960 - 2790 )	( 4.44 - 11.86 )	( 90 - 98 )
3 units operation	13	13	07	-	33	3.03	3.03	1.64	-	7.7	2410	10.57	95	5.82
	16	13	07	-	36	3.44	2.83	1.53	-	( 4.1 - 8.6 )	( 970 - 2810 )	( 4.49 - 11.95 )	( 90 - 98 )	
	18	13	07	-	38	3.64	2.70	1.46	-	7.8	2430	10.66	95	
	22	13	07	-	42	4.00	2.47	1.33	-	( 4.1 - 8.6 )	( 970 - 2810 )	( 4.49 - 11.95 )	( 90 - 98 )	
	24	13	07	-	44	4.38	2.28	1.23	-	7.8	2430	10.66	95	
	16	16	07	-	39	3.19	3.19	1.42	-	( 4.1 - 8.7 )	( 970 - 2830 )	( 4.49 - 12.03 )	( 90 - 98 )	
	18	16	07	-	41	3.39	3.05	1.36	-	7.8	2430	10.66	95	
	22	16	07	-	45	3.79	2.84	1.26	-	( 4.1 - 8.6 )	( 970 - 2810 )	( 4.49 - 11.95 )	( 90 - 98 )	
	24	16	07	-	47	4.12	2.61	1.16	-	7.9	2440	10.70	95	
	18	18	07	-	43	3.29	3.29	1.32	-	( 4.1 - 8.7 )	( 970 - 2830 )	( 4.49 - 12.03 )	( 90 - 98 )	
	22	18	07	-	47	3.65	3.04	1.22	-	7.9	2440	10.70	95	
	24	18	07	-	49	3.98	2.80	1.12	-	( 4.1 - 8.7 )	( 970 - 2830 )	( 4.49 - 12.03 )	( 90 - 98 )	
	10	10	10	-	30	2.53	2.53	2.53	-	7.6	2400	10.53	95	
	13	10	10	-	33	3.13	2.28	2.28	-	( 3.8 - 8.2 )	( 950 - 2720 )	( 4.40 - 11.56 )	( 90 - 98 )	
	16	10	10	-	36	3.50	2.10	2.10	-	7.7	2410	10.57	95	
	18	10	10	-	38	3.70	2.00	2.00	-	( 4.0 - 8.5 )	( 960 - 2790 )	( 4.44 - 11.86 )	( 90 - 98 )	
	22	10	10	-	42	4.16	1.87	1.87	-	7.7	2410	10.57	95	
	24	10	10	-	44	4.49	1.71	1.71	-	( 4.1 - 8.7 )	( 970 - 2830 )	( 4.49 - 12.03 )	( 90 - 98 )	
	13	13	10	-	36	2.82	2.82	2.06	-	7.9	2440	10.70	95	
	16	13	10	-	39	3.22	2.65	1.93	-	( 4.1 - 8.5 )	( 960 - 2790 )	( 4.44 - 11.86 )	( 90 - 98 )	
	18	13	10	-	41	3.42	2.53	1.85	-	7.8	2430	10.66	95	
	22	13	10	-	45	3.82	2.36	1.72	-	( 4.1 - 8.6 )	( 970 - 2810 )	( 4.49 - 11.95 )	( 90 - 98 )	
	24	13	10	-	47	4.15	2.17	1.58	-	7.9	2440	10.70	95	
	16	16	10	-	42	3.04	3.04	1.82	-	( 4.1 - 8.7 )	( 970 - 2830 )	( 4.49 - 12.03 )	( 90 - 98 )	
	18	16	10	-	44	3.20	2.88	1.73	-	7.8	2430	10.66	95	
	22	16	10	-	48	3.59	2.69	1.62	-	( 4.1 - 8.6 )	( 970 - 2810 )	( 4.49 - 11.95 )	( 90 - 98 )	
	24	16	10	-	50	3.92	2.49	1.49	-	7.9	2440	10.70	95	
	18	18	10	-	46	3.11	3.11	1.68	-	( 4.3 - 9.0 )	( 980 - 2900 )	( 4.54 - 12.33 )	( 90 - 98 )	
22	18	10	-	50	3.46	2.88	1.56	-	7.9	2440	10.70	95		
24	18	10	-	52	3.84	2.70	1.46	-	( 4.1 - 8.7 )	( 970 - 2830 )	( 4.49 - 12.03 )	( 90 - 98 )		
13	13	13	-	39	2.60	2.60	2.60	-	8.0	2450	10.75	95		
16	13	13	-	42	2.99	2.46	2.46	-	( 4.3 - 9.0 )	( 980 - 2900 )	( 4.54 - 12.33 )	( 90 - 98 )		
18	13	13	-	44	3.19	2.36	2.36	-	7.8	2430	10.66	95		
22	13	13	-	48	3.54	2.18	2.18	-	( 4.1 - 8.6 )	( 970 - 2810 )	( 4.49 - 11.95 )	( 90 - 98 )		
24	13	13	-	50	3.87	2.02	2.02	-	7.9	2440	10.70	95		
16	16	13	-	45	2.80	2.80	2.30	-	( 4.3 - 9.0 )	( 980 - 2900 )	( 4.54 - 12.33 )	( 90 - 98 )		
18	16	13	-	47	2.99	2.69	2.21	-	7.9	2440	10.70	95		
22	16	13	-	51	3.34	2.50	2.06	-	( 4.1 - 8.7 )	( 970 - 2830 )	( 4.49 - 12.03 )	( 90 - 98 )		
24	16	13	-	53	3.71	2.35	1.93	-	7.9	2440	10.70	95		
18	18	13	-	49	2.88	2.88	2.13	-	( 4.3 - 9.0 )	( 980 - 2900 )	( 4.54 - 12.33 )	( 90 - 98 )		
22	18	13	-	53	3.27	2.72	2.01	-	8.0	2450	10.75	95		
16	16	16	-	48	2.63	2.63	2.63	-	( 4.1 - 8.7 )	( 970 - 2830 )	( 4.49 - 12.03 )	( 90 - 98 )		
22	16	16	-	54	3.20	2.40	2.40	-	( 4.3 - 9.0 )	( 980 - 2900 )	( 4.54 - 12.33 )	( 90 - 98 )		

\*) Application FCU units are RAS-M07N3KV2-E1, RAS-B10N3KV2-E1, RAS-B12N3KV2-E1, RAS-B16N3KV2-E1 only.  
 Note) Combination of indoor units are Suzumi+(RAS-B/M\*\*N3KV2-E1) 13class.

<Combination> CDU: RAS-4M27S3AV-E

<Cooling/240V>

Operating Status	Combination (kBTU)					Unit capacity (kW)				Total				
	A	B	C	D	ΣkBTU	A	B	C	D	Cooling capacity (kW)	Power input (W)	Running Current (A)	Power factor (%)	SEER
4 units operation	07	07	07	07	28	1.78	1.78	1.78	1.78	( 4.0 - 7.1 )	( 2029 - 2029 )	( 8.90 - 8.90 )	( 90 - 95 )	6.00
	10	07	07	07	31	2.33	1.72	1.72	1.72	( 4.0 - 7.5 )	( 850 - 2143 )	( 3.94 - 9.40 )	( 90 - 95 )	
	13	07	07	07	34	2.90	1.57	1.57	1.57	( 4.0 - 7.6 )	( 890 - 2171 )	( 4.12 - 9.52 )	( 90 - 95 )	
	16	07	07	07	37	3.30	1.47	1.47	1.47	( 4.1 - 7.7 )	( 900 - 2200 )	( 4.17 - 9.65 )	( 90 - 95 )	
	18	07	07	07	39	3.55	1.42	1.42	1.42	( 4.1 - 7.8 )	( 930 - 2229 )	( 4.31 - 9.78 )	( 90 - 95 )	
	22	07	07	07	43	3.95	1.32	1.32	1.32	( 4.1 - 7.9 )	( 930 - 2257 )	( 4.31 - 9.90 )	( 90 - 95 )	
	24	07	07	07	45	4.28	1.21	1.21	1.21	( 4.2 - 7.9 )	( 950 - 2257 )	( 4.40 - 9.90 )	( 90 - 95 )	
	10	10	07	07	34	2.18	2.18	1.62	1.62	( 4.2 - 7.6 )	( 950 - 2171 )	( 4.40 - 9.52 )	( 90 - 95 )	
	13	10	07	07	37	2.74	2.00	1.48	1.48	( 4.1 - 7.7 )	( 900 - 2200 )	( 4.17 - 9.65 )	( 90 - 95 )	
	16	10	07	07	40	3.13	1.88	1.39	1.39	( 4.1 - 7.8 )	( 930 - 2229 )	( 4.31 - 9.78 )	( 90 - 95 )	
	18	10	07	07	42	3.38	1.82	1.35	1.35	( 4.1 - 7.9 )	( 930 - 2257 )	( 4.31 - 9.90 )	( 90 - 95 )	
	22	10	07	07	46	3.73	1.68	1.24	1.24	( 4.1 - 7.9 )	( 940 - 2257 )	( 4.35 - 9.90 )	( 90 - 95 )	
	24	10	07	07	48	4.06	1.55	1.14	1.14	( 4.2 - 7.9 )	( 950 - 2257 )	( 4.40 - 9.90 )	( 90 - 95 )	
	13	13	07	07	40	2.56	2.56	1.39	1.39	( 4.2 - 7.9 )	( 950 - 2257 )	( 4.40 - 9.90 )	( 90 - 95 )	
	16	13	07	07	43	2.91	2.40	1.30	1.30	( 4.1 - 7.9 )	( 940 - 2257 )	( 4.35 - 9.90 )	( 90 - 95 )	
	18	13	07	07	45	3.11	2.30	1.24	1.24	( 4.2 - 7.9 )	( 950 - 2257 )	( 4.40 - 9.90 )	( 90 - 95 )	
	22	13	07	07	49	3.46	2.13	1.15	1.15	( 4.2 - 7.9 )	( 950 - 2257 )	( 4.40 - 9.90 )	( 90 - 95 )	
	24	13	07	07	51	3.79	1.98	1.07	1.07	( 4.2 - 7.9 )	( 950 - 2257 )	( 4.40 - 9.90 )	( 90 - 95 )	
	16	16	07	07	46	2.73	2.73	1.22	1.22	( 4.2 - 7.9 )	( 950 - 2257 )	( 4.40 - 9.90 )	( 90 - 95 )	
	18	16	07	07	48	2.93	2.63	1.17	1.17	( 4.2 - 7.9 )	( 950 - 2257 )	( 4.40 - 9.90 )	( 90 - 95 )	
	18	18	07	07	50	2.82	2.82	1.13	1.13	( 4.2 - 7.9 )	( 950 - 2257 )	( 4.40 - 9.90 )	( 90 - 95 )	
	10	10	10	07	37	2.03	2.03	2.03	1.50	( 4.2 - 7.6 )	( 950 - 2171 )	( 4.40 - 9.52 )	( 90 - 95 )	
	13	10	10	07	40	2.60	1.90	1.90	1.41	( 4.1 - 7.8 )	( 900 - 2229 )	( 4.17 - 9.78 )	( 90 - 95 )	
	16	10	10	07	43	2.99	1.79	1.79	1.33	( 4.1 - 7.9 )	( 930 - 2257 )	( 4.31 - 9.90 )	( 90 - 95 )	
	18	10	10	07	45	3.19	1.72	1.72	1.27	( 4.1 - 7.9 )	( 940 - 2257 )	( 4.35 - 9.90 )	( 90 - 95 )	
	22	10	10	07	49	3.54	1.59	1.59	1.18	( 4.2 - 7.9 )	( 950 - 2257 )	( 4.40 - 9.90 )	( 90 - 95 )	
	24	10	10	07	51	3.87	1.47	1.47	1.09	( 4.2 - 7.9 )	( 950 - 2257 )	( 4.40 - 9.90 )	( 90 - 95 )	
	13	13	10	07	43	2.42	2.42	1.76	1.31	( 4.2 - 7.9 )	( 950 - 2257 )	( 4.40 - 9.90 )	( 90 - 95 )	
16	13	10	07	46	2.76	2.27	1.65	1.22	( 4.2 - 7.9 )	( 950 - 2257 )	( 4.40 - 9.90 )	( 90 - 95 )		
18	13	10	07	48	2.95	2.18	1.59	1.18	( 4.2 - 7.9 )	( 950 - 2257 )	( 4.40 - 9.90 )	( 90 - 95 )		
22	13	10	07	52	3.33	2.06	1.50	1.11	( 4.2 - 8.0 )	( 950 - 2286 )	( 4.40 - 10.03 )	( 90 - 95 )		
24	13	10	07	54	3.66	1.91	1.39	1.03	( 4.2 - 8.0 )	( 950 - 2286 )	( 4.40 - 10.03 )	( 90 - 95 )		
16	16	10	07	49	2.59	2.59	1.56	1.15	( 4.2 - 7.9 )	( 950 - 2257 )	( 4.40 - 9.90 )	( 90 - 95 )		
18	16	10	07	51	2.78	2.50	1.50	1.11	( 4.2 - 7.9 )	( 950 - 2257 )	( 4.40 - 9.90 )	( 90 - 95 )		
18	18	10	07	53	2.72	2.72	1.47	1.09	( 4.2 - 8.0 )	( 950 - 2286 )	( 4.40 - 10.03 )	( 90 - 95 )		
13	13	13	07	46	2.23	2.23	2.23	1.21	( 4.2 - 7.9 )	( 950 - 2257 )	( 4.40 - 9.90 )	( 90 - 95 )		
16	13	13	07	49	2.56	2.10	2.10	1.14	( 4.2 - 7.9 )	( 950 - 2257 )	( 4.40 - 9.90 )	( 90 - 95 )		
18	13	13	07	51	2.74	2.03	2.03	1.10	( 4.2 - 7.9 )	( 950 - 2257 )	( 4.40 - 9.90 )	( 90 - 95 )		
16	16	13	07	52	2.45	2.45	2.01	1.09	( 4.2 - 8.0 )	( 950 - 2286 )	( 4.40 - 10.03 )	( 90 - 95 )		
18	16	13	07	54	2.63	2.37	1.95	1.05	( 4.2 - 8.0 )	( 950 - 2286 )	( 4.40 - 10.03 )	( 90 - 95 )		
10	10	10	10	40	1.98	1.98	1.98	1.98	( 4.1 - 7.9 )	( 940 - 2257 )	( 4.35 - 9.90 )	( 90 - 95 )		
13	10	10	10	43	2.48	1.81	1.81	1.81	( 4.1 - 7.9 )	( 940 - 2257 )	( 4.35 - 9.90 )	( 90 - 95 )		
16	10	10	10	46	2.82	1.69	1.69	1.69	( 4.2 - 7.9 )	( 950 - 2257 )	( 4.40 - 9.90 )	( 90 - 95 )		
18	10	10	10	48	3.02	1.63	1.63	1.63	( 4.2 - 7.9 )	( 950 - 2257 )	( 4.40 - 9.90 )	( 90 - 95 )		
22	10	10	10	52	3.40	1.53	1.53	1.53	( 4.2 - 8.0 )	( 950 - 2286 )	( 4.40 - 10.03 )	( 90 - 95 )		

\*) Application FCU units are RAS-M07N3KV2-E1, RAS-B10N3KV2-E1, RAS-B12N3KV2-E1, RAS-B16N3KV2-E1 only.  
 Note) Combination of indoor units are Suzumi+(RAS-B/M\*\*N3KV2-E1) 13class.

<Combination> CDU: RAS-4M27S3AV-E

<Cooling/240V>

Operating Status	Combination (kBTU)					Unit capacity (kW)				Total				
	A	B	C	D	ΣkBTU	A	B	C	D	Cooling capacity (kW)	Power input (W)	Running Current (A)	Power factor (%)	SEER
4 units operation	24	10	10	10	54	3.74	1.42	1.42	1.42	8.0 ( 4.2 - 9.3 )	2286 ( 950 - 2820 )	10.03 ( 4.40 - 11.99 )	95 ( 90 - 98 )	6.10
	13	13	10	10	46	2.28	2.28	1.67	1.67	7.9 ( 4.2 - 9.3 )	2257 ( 950 - 2820 )	9.90 ( 4.40 - 11.99 )	95 ( 90 - 98 )	6.10
	16	13	10	10	49	2.61	2.15	1.57	1.57	7.9 ( 4.2 - 9.3 )	2257 ( 950 - 2820 )	9.90 ( 4.40 - 11.99 )	95 ( 90 - 98 )	6.10
	16	16	10	10	52	2.50	2.50	1.50	1.50	8.0 ( 4.2 - 9.3 )	2286 ( 950 - 2820 )	10.03 ( 4.40 - 11.99 )	95 ( 90 - 98 )	6.13
	18	13	10	10	51	2.80	2.07	1.51	1.51	7.9 ( 4.2 - 9.3 )	2257 ( 950 - 2820 )	9.90 ( 4.40 - 11.99 )	95 ( 90 - 98 )	6.07
	18	16	10	10	54	2.68	2.42	1.45	1.45	8.0 ( 4.2 - 9.3 )	2286 ( 950 - 2820 )	10.03 ( 4.40 - 11.99 )	95 ( 90 - 98 )	6.09
	13	13	13	10	49	2.12	2.12	2.12	1.55	7.9 ( 4.2 - 9.3 )	2257 ( 950 - 2820 )	9.90 ( 4.40 - 11.99 )	95 ( 90 - 98 )	6.10
	16	13	13	10	52	2.47	2.03	2.03	1.48	8.0 ( 4.2 - 9.3 )	2286 ( 950 - 2820 )	10.03 ( 4.40 - 11.99 )	95 ( 90 - 98 )	6.12
	18	13	13	10	54	2.65	1.96	1.96	1.43	8.0 ( 4.2 - 9.3 )	2286 ( 950 - 2820 )	10.03 ( 4.40 - 11.99 )	95 ( 90 - 98 )	6.09
	13	13	13	13	52	2.00	2.00	2.00	2.00	8.0 ( 4.2 - 9.3 )	2286 ( 950 - 2820 )	10.03 ( 4.40 - 11.99 )	95 ( 90 - 98 )	6.11

\*) Application FCU units are RAS-M07N3KV2-E1, RAS-B10N3KV2-E1, RAS-B12N3KV2-E1, RAS-B16N3KV2-E1 only.

Note) Combination of indoor units are Suzumi+(RAS-B/M\*\*N3KV2-E1) 13class.



<Combination> CDU: RAS-4M27S3AV-E

<Heating/220V>

Operating Status	Combination (kBTU)					Unit capacity (kW)				Total				
	A	B	C	D	ΣkBTU	A	B	C	D	Cooling capacity (kW)	Power input (W)	Running Current (A)	Power factor (%)	SCOP
2 units operation	07	07	-	-	14	2.70	2.70	-	-	5.4 ( 1.5 - 7.4 )	2050 ( 320 - 3200 )	9.81 ( 1.94 - 14.84 )	95 ( 75 - 98 )	4.21
	10	07	-	-	17	4.00	2.70	-	-	6.7 ( 1.5 - 8.9 )	2080 ( 320 - 3200 )	9.95 ( 1.94 - 14.84 )	95 ( 75 - 98 )	4.21
	13	07	-	-	20	4.81	2.59	-	-	7.4 ( 1.5 - 10.1 )	2320 ( 320 - 3210 )	11.10 ( 1.94 - 14.89 )	95 ( 75 - 98 )	4.21
	16	07	-	-	23	5.10	2.50	-	-	7.6 ( 1.5 - 10.1 )	2480 ( 320 - 3230 )	11.87 ( 1.94 - 14.98 )	95 ( 75 - 98 )	4.31
	18	07	-	-	25	5.45	2.45	-	-	7.9 ( 1.5 - 10.1 )	2480 ( 320 - 3230 )	11.87 ( 1.94 - 14.98 )	95 ( 75 - 98 )	4.30
	22	07	-	-	29	5.70	2.20	-	-	7.9 ( 1.5 - 10.1 )	2480 ( 320 - 3230 )	11.87 ( 1.94 - 14.98 )	95 ( 75 - 98 )	4.21
	24	07	-	-	31	6.23	2.08	-	-	8.3 ( 1.5 - 10.2 )	2700 ( 320 - 3240 )	12.92 ( 1.94 - 15.03 )	95 ( 75 - 98 )	4.21
	10	10	-	-	20	3.60	3.60	-	-	7.2 ( 1.5 - 10.0 )	2100 ( 320 - 3200 )	10.05 ( 1.94 - 14.84 )	95 ( 75 - 98 )	4.21
	13	10	-	-	23	4.22	3.38	-	-	7.6 ( 1.5 - 10.1 )	2320 ( 320 - 3210 )	11.10 ( 1.94 - 14.89 )	95 ( 75 - 98 )	4.21
	16	10	-	-	26	4.57	3.33	-	-	7.9 ( 1.5 - 10.1 )	2480 ( 320 - 3230 )	11.87 ( 1.94 - 14.98 )	95 ( 75 - 98 )	4.31
	18	10	-	-	28	4.74	3.16	-	-	7.9 ( 1.5 - 10.1 )	2480 ( 320 - 3230 )	11.87 ( 1.94 - 14.98 )	95 ( 75 - 98 )	4.30
	24	10	-	-	34	5.76	2.84	-	-	8.6 ( 1.5 - 10.2 )	2860 ( 320 - 3250 )	13.68 ( 1.94 - 15.07 )	95 ( 75 - 98 )	4.21
	13	13	-	-	26	3.95	3.95	-	-	7.9 ( 1.5 - 10.1 )	2480 ( 320 - 3230 )	11.87 ( 1.94 - 14.98 )	95 ( 75 - 98 )	4.31
	16	13	-	-	29	4.35	3.95	-	-	8.3 ( 1.5 - 10.2 )	2700 ( 320 - 3240 )	12.92 ( 1.94 - 15.03 )	95 ( 75 - 98 )	4.31
	18	13	-	-	31	4.53	3.77	-	-	8.3 ( 1.5 - 10.2 )	2700 ( 320 - 3240 )	12.92 ( 1.94 - 15.03 )	95 ( 75 - 98 )	4.30
	22	13	-	-	35	5.02	3.58	-	-	8.6 ( 1.5 - 10.2 )	2860 ( 320 - 3250 )	13.68 ( 1.94 - 15.07 )	95 ( 75 - 98 )	4.21
	24	13	-	-	37	5.32	3.28	-	-	8.6 ( 1.5 - 10.2 )	2860 ( 320 - 3250 )	13.68 ( 1.94 - 15.07 )	95 ( 75 - 98 )	4.21
	16	16	-	-	32	4.30	4.30	-	-	8.6 ( 1.5 - 10.2 )	2860 ( 320 - 3250 )	13.68 ( 1.94 - 15.07 )	95 ( 75 - 98 )	4.32
	18	16	-	-	34	4.49	4.11	-	-	8.6 ( 1.5 - 10.2 )	2860 ( 320 - 3250 )	13.68 ( 1.94 - 15.07 )	95 ( 75 - 98 )	4.31
	22	16	-	-	38	4.82	3.78	-	-	8.6 ( 1.5 - 10.2 )	2860 ( 320 - 3250 )	13.68 ( 1.94 - 15.07 )	95 ( 75 - 98 )	4.21
	24	16	-	-	40	5.12	3.48	-	-	8.6 ( 1.5 - 10.2 )	2860 ( 320 - 3250 )	13.68 ( 1.94 - 15.07 )	95 ( 75 - 98 )	4.21
	18	18	-	-	36	4.30	4.30	-	-	8.6 ( 1.5 - 10.2 )	2860 ( 320 - 3250 )	13.68 ( 1.94 - 15.07 )	95 ( 75 - 98 )	4.30
	22	18	-	-	40	4.63	3.97	-	-	8.6 ( 1.5 - 10.2 )	2860 ( 320 - 3250 )	13.68 ( 1.94 - 15.07 )	95 ( 75 - 98 )	4.20
	24	18	-	-	42	4.94	3.66	-	-	8.6 ( 1.5 - 10.2 )	2860 ( 320 - 3250 )	13.68 ( 1.94 - 15.07 )	95 ( 75 - 98 )	4.20
3 units operation	07	07	07	-	21	2.70	2.70	2.70	-	8.1 ( 2.0 - 10.4 )	2290 ( 380 - 2750 )	10.96 ( 2.16 - 12.76 )	95 ( 80 - 98 )	4.43
	10	07	07	-	24	3.53	2.38	2.38	-	8.3 ( 2.0 - 10.4 )	2300 ( 380 - 2750 )	11.00 ( 2.16 - 12.76 )	95 ( 80 - 98 )	4.43
	13	07	07	-	27	4.13	2.23	2.23	-	8.6 ( 2.0 - 10.4 )	2300 ( 380 - 2750 )	11.00 ( 2.16 - 12.76 )	95 ( 80 - 98 )	4.43
	16	07	07	-	30	4.39	2.16	2.16	-	8.7 ( 2.0 - 10.5 )	2350 ( 380 - 2760 )	11.24 ( 2.16 - 12.80 )	95 ( 80 - 98 )	4.44
	18	07	07	-	32	4.58	2.06	2.06	-	8.7 ( 2.0 - 10.5 )	2350 ( 380 - 2760 )	11.24 ( 2.16 - 12.80 )	95 ( 80 - 98 )	4.43
	22	07	07	-	36	4.91	1.89	1.89	-	8.7 ( 2.0 - 10.5 )	2350 ( 380 - 2760 )	11.24 ( 2.16 - 12.80 )	95 ( 80 - 98 )	4.29
	24	07	07	-	38	5.22	1.74	1.74	-	8.7 ( 2.0 - 10.5 )	2350 ( 380 - 2760 )	11.24 ( 2.16 - 12.80 )	95 ( 80 - 98 )	4.29
	10	10	07	-	27	3.18	3.18	2.14	-	8.5 ( 2.0 - 10.4 )	2300 ( 380 - 2750 )	11.00 ( 2.16 - 12.76 )	95 ( 80 - 98 )	4.43
	13	10	07	-	30	3.72	2.97	2.01	-	8.7 ( 2.0 - 10.5 )	2350 ( 380 - 2760 )	11.24 ( 2.16 - 12.80 )	95 ( 80 - 98 )	4.43
	16	10	07	-	33	3.92	2.85	1.93	-	8.7 ( 2.0 - 10.5 )	2350 ( 380 - 2760 )	11.24 ( 2.16 - 12.80 )	95 ( 80 - 98 )	4.44
	18	10	07	-	35	4.11	2.74	1.85	-	8.7 ( 2.0 - 10.5 )	2350 ( 380 - 2760 )	11.24 ( 2.16 - 12.80 )	95 ( 80 - 98 )	4.43
	22	10	07	-	39	4.50	2.57	1.73	-	8.8 ( 2.0 - 10.6 )	2400 ( 380 - 2780 )	11.48 ( 2.16 - 12.89 )	95 ( 80 - 98 )	4.29
24	10	07	-	41	4.82	2.38	1.61	-	8.8 ( 2.0 - 10.6 )	2400 ( 380 - 2780 )	11.48 ( 2.16 - 12.89 )	95 ( 80 - 98 )	4.29	

\*) Application FCU units are RAS-M07N3KV2-E1, RAS-B10N3KV2-E1, RAS-B12N3KV2-E1, RAS-B16N3KV2-E1 only.  
 Note) Combination of indoor units are Suzumi+(RAS-B/M\*\*N3KV2-E1) 13class.

<Combination> CDU: RAS-4M27S3AV-E

<Heating/220V>

Operating Status	Combination (kBTU)					Unit capacity (kW)				Total				
	A	B	C	D	ΣkBTU	A	B	C	D	Cooling capacity (kW)	Power input (W)	Running Current (A)	Power factor (%)	SCOP
											( 2.0 - 10.5 )	( 380 - 2760 )	( 2.16 - 12.80 )	( 80 - 98 )
3 units operation	13	13	07	-	33	3.43	3.43	1.85	-	8.7	2350	11.24	95	4.43
	16	13	07	-	36	3.67	3.33	1.80	-	8.8	2400	11.48	95	4.44
	18	13	07	-	38	3.85	3.21	1.73	-	8.8	2400	11.48	95	4.43
	22	13	07	-	42	4.24	3.03	1.63	-	8.9	2450	11.72	95	4.29
	24	13	07	-	44	4.56	2.82	1.52	-	8.9	2450	11.72	95	4.29
	16	16	07	-	39	3.57	3.57	1.75	-	8.9	2450	11.72	95	4.44
	18	16	07	-	41	3.76	3.45	1.69	-	8.9	2450	11.72	95	4.43
	22	16	07	-	45	4.10	3.22	1.58	-	8.9	2450	11.72	95	4.30
	24	16	07	-	47	4.42	3.00	1.47	-	8.9	2450	11.72	95	4.30
	18	18	07	-	43	3.63	3.63	1.63	-	8.9	2450	11.72	95	4.42
	22	18	07	-	47	3.97	3.40	1.53	-	8.9	2450	11.72	95	4.29
	24	18	07	-	49	4.29	3.18	1.43	-	8.9	2450	11.72	95	4.29
	10	10	10	-	30	2.87	2.87	2.87	-	8.6	2300	11.00	95	4.43
	13	10	10	-	33	3.35	2.68	2.68	-	8.7	2350	11.24	95	4.43
	16	10	10	-	36	3.54	2.58	2.58	-	8.7	2350	11.24	95	4.44
	18	10	10	-	38	3.73	2.49	2.49	-	8.7	2350	11.24	95	4.43
	22	10	10	-	42	4.15	2.37	2.37	-	8.9	2450	11.72	95	4.29
	24	10	10	-	44	4.48	2.21	2.21	-	8.9	2450	11.72	95	4.29
	13	13	10	-	36	3.11	3.11	2.49	-	8.7	2350	11.24	95	4.43
	16	13	10	-	39	3.34	3.03	2.43	-	8.8	2400	11.48	95	4.44
	18	13	10	-	41	3.56	2.97	2.37	-	8.9	2450	11.72	95	4.43
	22	13	10	-	45	3.89	2.78	2.23	-	8.9	2450	11.72	95	4.29
	24	13	10	-	47	4.22	2.60	2.08	-	8.9	2450	11.72	95	4.29
	16	16	10	-	42	3.26	3.26	2.37	-	8.9	2450	11.72	95	4.44
	18	16	10	-	44	3.45	3.16	2.30	-	8.9	2450	11.72	95	4.43
	22	16	10	-	48	3.78	2.97	2.16	-	8.9	2450	11.72	95	4.30
	24	16	10	-	50	4.10	2.78	2.02	-	8.9	2450	11.72	95	4.30
	18	18	10	-	46	3.34	3.34	2.23	-	8.9	2450	11.72	95	4.42
22	18	10	-	50	3.66	3.14	2.09	-	8.9	2450	11.72	95	4.29	
24	18	10	-	52	3.98	2.95	1.97	-	8.9	2450	11.72	95	4.29	
13	13	13	-	39	2.93	2.93	2.93	-	8.8	2400	11.48	95	4.43	
16	13	13	-	42	3.16	2.87	2.87	-	8.9	2450	11.72	95	4.44	
18	13	13	-	44	3.34	2.78	2.78	-	8.9	2450	11.72	95	4.43	
22	13	13	-	48	3.66	2.62	2.62	-	8.9	2450	11.72	95	4.29	
24	13	13	-	50	3.98	2.46	2.46	-	8.9	2450	11.72	95	4.29	
16	16	13	-	45	3.06	3.06	2.78	-	8.9	2450	11.72	95	4.44	
18	16	13	-	47	3.24	2.97	2.70	-	8.9	2450	11.72	95	4.43	
22	16	13	-	51	3.56	2.80	2.54	-	8.9	2450	11.72	95	4.30	
24	16	13	-	53	3.88	2.63	2.39	-	8.9	2450	11.72	95	4.30	
18	18	13	-	49	3.14	3.14	2.62	-	8.9	2450	11.72	95	4.42	
22	18	13	-	53	3.46	2.97	2.47	-	8.9	2450	11.72	95	4.29	
16	16	16	-	48	2.97	2.97	2.97	-	8.9	2450	11.72	95	4.45	
22	16	16	-	54	3.46	2.72	2.72	-	8.9	2450	11.72	95	4.30	

\*) Application FCU units are RAS-M07N3KV2-E1, RAS-B10N3KV2-E1, RAS-B12N3KV2-E1, RAS-B16N3KV2-E1 only.

Note) Combination of indoor units are Suzumi+(RAS-B/M\*\*N3KV2-E1) 13class.

<Combination> CDU: RAS-4M27S3AV-E

<Heating/220V>

Operating Status	Combination (kBTU)					Unit capacity (kW)				Total				
	A	B	C	D	ΣkBTU	A	B	C	D	Cooling capacity (kW)	Power input (W)	Running Current (A)	Power factor (%)	SCOP
4 units operation	07	07	07	07	28	2.09	2.09	2.09	2.09	8.4 ( 2.90 - 11.5 )	1792 ( 501 - 2560 )	8.57 ( 2.53 - 11.87 )	95 ( 90 - 98 )	4.26
	10	07	07	07	31	2.80	1.89	1.89	1.89	8.5 ( 2.90 - 11.5 )	1812 ( 501 - 2560 )	8.67 ( 2.53 - 11.87 )	95 ( 90 - 98 )	4.26
	13	07	07	07	34	3.30	1.78	1.78	1.78	8.6 ( 2.90 - 11.6 )	1850 ( 501 - 2580 )	8.85 ( 2.53 - 11.97 )	95 ( 90 - 98 )	4.26
	16	07	07	07	37	3.53	1.73	1.73	1.73	8.7 ( 2.90 - 11.6 )	1869 ( 501 - 2580 )	8.94 ( 2.53 - 11.97 )	95 ( 90 - 98 )	4.27
	18	07	07	07	39	3.75	1.69	1.69	1.69	8.8 ( 2.90 - 11.6 )	1889 ( 501 - 2580 )	9.04 ( 2.53 - 11.97 )	95 ( 90 - 98 )	4.26
	22	07	07	07	43	4.13	1.59	1.59	1.59	8.9 ( 2.64 - 11.7 )	1905 ( 480 - 2600 )	9.11 ( 2.42 - 12.06 )	95 ( 90 - 98 )	4.13
	24	07	07	07	45	4.45	1.48	1.48	1.48	8.9 ( 2.64 - 11.7 )	1905 ( 480 - 2600 )	9.11 ( 2.42 - 12.06 )	95 ( 90 - 98 )	4.13
	10	10	07	07	34	2.58	2.58	1.74	1.74	8.6 ( 2.90 - 11.6 )	1850 ( 501 - 2580 )	8.85 ( 2.53 - 11.97 )	95 ( 90 - 98 )	4.26
	13	10	07	07	37	3.03	2.43	1.64	1.64	8.7 ( 2.90 - 11.6 )	1869 ( 501 - 2580 )	8.94 ( 2.53 - 11.97 )	95 ( 90 - 98 )	4.26
	16	10	07	07	40	3.26	2.37	1.60	1.60	8.8 ( 2.90 - 11.6 )	1889 ( 501 - 2580 )	9.04 ( 2.53 - 11.97 )	95 ( 90 - 98 )	4.27
	18	10	07	07	42	3.47	2.31	1.56	1.56	8.9 ( 2.90 - 11.7 )	1905 ( 501 - 2600 )	9.11 ( 2.53 - 12.06 )	95 ( 90 - 98 )	4.26
	22	10	07	07	46	3.80	2.17	1.47	1.47	8.9 ( 2.64 - 11.7 )	1905 ( 480 - 2600 )	9.11 ( 2.42 - 12.06 )	95 ( 90 - 98 )	4.13
	24	10	07	07	48	4.12	2.03	1.37	1.37	8.9 ( 2.64 - 11.7 )	1905 ( 480 - 2600 )	9.11 ( 2.42 - 12.06 )	95 ( 90 - 98 )	4.13
	13	13	07	07	40	2.89	2.89	1.56	1.56	8.9 ( 2.90 - 11.7 )	1905 ( 501 - 2600 )	9.11 ( 2.53 - 12.06 )	95 ( 90 - 98 )	4.26
	16	13	07	07	43	3.08	2.80	1.51	1.51	8.9 ( 2.90 - 11.7 )	1905 ( 501 - 2600 )	9.11 ( 2.53 - 12.06 )	95 ( 90 - 98 )	4.27
	18	13	07	07	45	3.26	2.71	1.47	1.47	8.9 ( 2.90 - 11.7 )	1905 ( 501 - 2600 )	9.11 ( 2.53 - 12.06 )	95 ( 90 - 98 )	4.26
	22	13	07	07	49	3.58	2.56	1.38	1.38	8.9 ( 2.64 - 11.7 )	1905 ( 480 - 2600 )	9.11 ( 2.42 - 12.06 )	95 ( 90 - 98 )	4.13
	24	13	07	07	51	3.90	2.41	1.30	1.30	8.9 ( 2.64 - 11.7 )	1905 ( 480 - 2600 )	9.11 ( 2.42 - 12.06 )	95 ( 90 - 98 )	4.13
	16	16	07	07	46	2.98	2.98	1.47	1.47	8.9 ( 2.90 - 11.7 )	1905 ( 501 - 2600 )	9.11 ( 2.53 - 12.06 )	95 ( 90 - 98 )	4.27
	18	16	07	07	48	3.16	2.90	1.42	1.42	8.9 ( 2.90 - 11.7 )	1905 ( 501 - 2600 )	9.11 ( 2.53 - 12.06 )	95 ( 90 - 98 )	4.26
	18	18	07	07	50	3.07	3.07	1.38	1.38	8.9 ( 2.90 - 11.7 )	1905 ( 501 - 2600 )	9.11 ( 2.53 - 12.06 )	95 ( 90 - 98 )	4.26
	10	10	10	07	37	2.35	2.35	2.35	1.59	8.6 ( 2.90 - 11.6 )	1850 ( 501 - 2580 )	8.85 ( 2.53 - 11.97 )	95 ( 90 - 98 )	4.26
	13	10	10	07	40	2.81	2.25	2.25	1.52	8.8 ( 2.90 - 11.6 )	1889 ( 501 - 2580 )	9.04 ( 2.53 - 11.97 )	95 ( 90 - 98 )	4.26
	16	10	10	07	43	3.02	2.20	2.20	1.48	8.9 ( 2.90 - 11.7 )	1905 ( 501 - 2600 )	9.11 ( 2.53 - 12.06 )	95 ( 90 - 98 )	4.27
	18	10	10	07	45	3.20	2.13	2.13	1.44	8.9 ( 2.90 - 11.7 )	1905 ( 501 - 2600 )	9.11 ( 2.53 - 12.06 )	95 ( 90 - 98 )	4.26
	22	10	10	07	49	3.52	2.01	2.01	1.36	8.9 ( 2.64 - 11.7 )	1905 ( 480 - 2600 )	9.11 ( 2.42 - 12.06 )	95 ( 90 - 98 )	4.13
	24	10	10	07	51	3.83	1.89	1.89	1.28	8.9 ( 2.64 - 11.7 )	1905 ( 480 - 2600 )	9.11 ( 2.42 - 12.06 )	95 ( 90 - 98 )	4.13
	13	13	10	07	43	2.66	2.66	2.13	1.44	8.9 ( 2.90 - 11.7 )	1905 ( 501 - 2600 )	9.11 ( 2.53 - 12.06 )	95 ( 90 - 98 )	4.26
16	13	10	07	46	2.85	2.59	2.07	1.40	8.9 ( 2.90 - 11.7 )	1905 ( 501 - 2600 )	9.11 ( 2.53 - 12.06 )	95 ( 90 - 98 )	4.27	
18	13	10	07	48	3.02	2.51	2.01	1.36	8.9 ( 2.90 - 11.7 )	1905 ( 501 - 2600 )	9.11 ( 2.53 - 12.06 )	95 ( 90 - 98 )	4.26	
22	13	10	07	52	3.37	2.41	1.93	1.30	9.0 ( 2.64 - 11.7 )	1927 ( 480 - 2600 )	9.22 ( 2.42 - 12.06 )	95 ( 90 - 98 )	4.13	
24	13	10	07	54	3.68	2.27	1.82	1.23	9.0 ( 2.64 - 11.7 )	1927 ( 480 - 2600 )	9.22 ( 2.42 - 12.06 )	95 ( 90 - 98 )	4.13	
16	16	10	07	49	2.77	2.77	2.01	1.36	8.9 ( 2.90 - 11.7 )	1905 ( 501 - 2600 )	9.11 ( 2.53 - 12.06 )	95 ( 90 - 98 )	4.27	
18	16	10	07	51	2.93	2.69	1.96	1.32	8.9 ( 2.90 - 11.7 )	1905 ( 501 - 2600 )	9.11 ( 2.53 - 12.06 )	95 ( 90 - 98 )	4.26	
18	18	10	07	53	2.89	2.89	1.93	1.30	9.0 ( 2.90 - 11.7 )	1927 ( 501 - 2600 )	9.22 ( 2.53 - 12.06 )	95 ( 90 - 98 )	4.26	
13	13	13	07	46	2.51	2.51	2.51	1.36	8.9 ( 2.90 - 11.7 )	1905 ( 501 - 2600 )	9.11 ( 2.53 - 12.06 )	95 ( 90 - 98 )	4.26	
16	13	13	07	49	2.69	2.45	2.45	1.32	8.9 ( 2.90 - 11.7 )	1905 ( 501 - 2600 )	9.11 ( 2.53 - 12.06 )	95 ( 90 - 98 )	4.27	
18	13	13	07	51	2.86	2.38	2.38	1.29	8.9 ( 2.90 - 11.7 )	1905 ( 501 - 2600 )	9.11 ( 2.53 - 12.06 )	95 ( 90 - 98 )	4.26	
16	16	13	07	52	2.65	2.65	2.41	1.30	9.0 ( 2.90 - 11.7 )	1927 ( 501 - 2600 )	9.22 ( 2.53 - 12.06 )	95 ( 90 - 98 )	4.27	
18	16	13	07	54	2.81	2.58	2.34	1.27	9.0 ( 2.90 - 11.7 )	1927 ( 501 - 2600 )	9.22 ( 2.53 - 12.06 )	95 ( 90 - 98 )	4.26	
10	10	10	10	40	2.18	2.18	2.18	2.18	8.7 ( 2.90 - 11.6 )	1869 ( 501 - 2580 )	8.94 ( 2.53 - 11.97 )	95 ( 90 - 98 )	4.26	
13	10	10	10	43	2.62	2.09	2.09	2.09	8.9 ( 2.90 - 11.7 )	1905 ( 501 - 2600 )	9.11 ( 2.53 - 12.06 )	95 ( 90 - 98 )	4.26	
16	10	10	10	46	2.80	2.03	2.03	2.03	8.9 ( 2.90 - 11.7 )	1905 ( 501 - 2600 )	9.11 ( 2.53 - 12.06 )	95 ( 90 - 98 )	4.27	
18	10	10	10	48	2.97	1.98	1.98	1.98	8.9 ( 2.90 - 11.7 )	1905 ( 501 - 2600 )	9.11 ( 2.53 - 12.06 )	95 ( 90 - 98 )	4.26	
22	10	10	10	52	3.32	1.89	1.89	1.89	9.0 ( 2.64 - 11.7 )	1927 ( 480 - 2600 )	9.22 ( 2.42 - 12.06 )	95 ( 90 - 98 )	4.13	

\*) Application FCU units are RAS-M07N3KV2-E1, RAS-B10N3KV2-E1, RAS-B12N3KV2-E1, RAS-B16N3KV2-E1 only.  
 Note) Combination of indoor units are Suzumi+(RAS-B/M\*\*N3KV2-E1) 13class.

&lt;Combination&gt; CDU: RAS-4M27S3AV-E

&lt;Heating/220V&gt;

Operating Status	Combination (kBTU)					Unit capacity (kW)				Total				
	A	B	C	D	ΣkBTU	A	B	C	D	Cooling capacity (kW)	Power input (W)	Running Current (A)	Power factor (%)	SCOP
4 units operation	24	10	10	10	54	3.63	1.79	1.79	1.79	9.0 ( 2.64 - 11.7 )	1927 ( 480 - 2600 )	9.22 ( 2.42 - 12.06 )	95 ( 90 - 98 )	4.13
	13	13	10	10	46	2.47	2.47	1.98	1.98	8.9 ( 2.90 - 11.7 )	1905 ( 501 - 2600 )	9.11 ( 2.53 - 12.06 )	95 ( 90 - 98 )	4.26
	16	13	10	10	49	2.65	2.41	1.92	1.92	8.9 ( 2.90 - 11.7 )	1905 ( 501 - 2600 )	9.11 ( 2.53 - 12.06 )	95 ( 90 - 98 )	4.27
	16	16	10	10	52	2.61	2.61	1.89	1.89	9.0 ( 2.90 - 11.7 )	1927 ( 501 - 2600 )	9.22 ( 2.53 - 12.06 )	95 ( 90 - 98 )	4.27
	18	13	10	10	51	2.81	2.34	1.87	1.87	8.9 ( 2.90 - 11.7 )	1905 ( 501 - 2600 )	9.11 ( 2.53 - 12.06 )	95 ( 90 - 98 )	4.26
	18	16	10	10	54	2.77	2.54	1.85	1.85	9.0 ( 2.90 - 11.7 )	1927 ( 501 - 2600 )	9.22 ( 2.53 - 12.06 )	95 ( 90 - 98 )	4.26
	13	13	13	10	49	2.34	2.34	2.34	1.87	8.9 ( 2.90 - 11.7 )	1905 ( 501 - 2600 )	9.11 ( 2.53 - 12.06 )	95 ( 90 - 98 )	4.26
	16	13	13	10	52	2.54	2.31	2.31	1.85	9.0 ( 2.90 - 11.7 )	1927 ( 501 - 2600 )	9.22 ( 2.53 - 12.06 )	95 ( 90 - 98 )	4.27
	18	13	13	10	54	2.70	2.25	2.25	1.80	9.0 ( 2.90 - 11.7 )	1927 ( 501 - 2600 )	9.22 ( 2.53 - 12.06 )	95 ( 90 - 98 )	4.26
	13	13	13	13	52	2.25	2.25	2.25	2.25	9.0 ( 2.90 - 11.7 )	1927 ( 501 - 2600 )	9.22 ( 2.53 - 12.06 )	95 ( 90 - 98 )	4.26

\*) Application FCU units are RAS-M07N3KV2-E1, RAS-B10N3KV2-E1, RAS-B12N3KV2-E1, RAS-B16N3KV2-E1 only.

Note) Combination of indoor units are Suzumi+(RAS-B/M\*\*N3KV2-E1) 13class.

<Combination> CDU: RAS-4M27S3AV-E

<Heating/230V>

Operating Status	Combination (kBTU)					Unit capacity (kW)				Total				
	A	B	C	D	ΣkBTU	A	B	C	D	Cooling capacity (kW)	Power input (W)	Running Current (A)	Power factor (%)	SCOP
2 units operation	07	07	-	-	14	2.70	2.70	-	-	5.4 ( 1.5 - 7.4 )	2050 ( 320 - 3200 )	9.38 ( 1.86 - 14.20 )	95 ( 75 - 98 )	4.21
	10	07	-	-	17	4.00	2.70	-	-	6.7 ( 1.5 - 8.9 )	2080 ( 320 - 3200 )	9.52 ( 1.86 - 14.20 )	95 ( 75 - 98 )	4.21
	13	07	-	-	20	4.81	2.59	-	-	7.4 ( 1.5 - 10.1 )	2320 ( 320 - 3210 )	10.62 ( 1.86 - 14.24 )	95 ( 75 - 98 )	4.21
	16	07	-	-	23	5.10	2.50	-	-	7.6 ( 1.5 - 10.1 )	2480 ( 320 - 3230 )	11.35 ( 1.86 - 14.33 )	95 ( 75 - 98 )	4.31
	18	07	-	-	25	5.45	2.45	-	-	7.9 ( 1.5 - 10.1 )	2480 ( 320 - 3230 )	11.35 ( 1.86 - 14.33 )	95 ( 75 - 98 )	4.30
	22	07	-	-	29	5.70	2.20	-	-	7.9 ( 1.5 - 10.1 )	2480 ( 320 - 3230 )	11.35 ( 1.86 - 14.33 )	95 ( 75 - 98 )	4.21
	24	07	-	-	31	6.23	2.08	-	-	8.3 ( 1.5 - 10.2 )	2700 ( 320 - 3240 )	12.36 ( 1.86 - 14.37 )	95 ( 75 - 98 )	4.21
	10	10	-	-	20	3.60	3.60	-	-	7.2 ( 1.5 - 10.0 )	2100 ( 320 - 3200 )	9.61 ( 1.86 - 14.20 )	95 ( 75 - 98 )	4.21
	13	10	-	-	23	4.22	3.38	-	-	7.6 ( 1.5 - 10.1 )	2320 ( 320 - 3210 )	10.62 ( 1.86 - 14.24 )	95 ( 75 - 98 )	4.21
	16	10	-	-	26	4.57	3.33	-	-	7.9 ( 1.5 - 10.1 )	2480 ( 320 - 3230 )	11.35 ( 1.86 - 14.33 )	95 ( 75 - 98 )	4.31
	18	10	-	-	28	4.74	3.16	-	-	7.9 ( 1.5 - 10.1 )	2480 ( 320 - 3230 )	11.35 ( 1.86 - 14.33 )	95 ( 75 - 98 )	4.30
	24	10	-	-	34	5.76	2.84	-	-	8.6 ( 1.5 - 10.2 )	2860 ( 320 - 3250 )	13.09 ( 1.86 - 14.42 )	95 ( 75 - 98 )	4.21
	13	13	-	-	26	3.95	3.95	-	-	7.9 ( 1.5 - 10.1 )	2480 ( 320 - 3230 )	11.35 ( 1.86 - 14.33 )	95 ( 75 - 98 )	4.31
	16	13	-	-	29	4.35	3.95	-	-	8.3 ( 1.5 - 10.2 )	2700 ( 320 - 3240 )	12.36 ( 1.86 - 14.37 )	95 ( 75 - 98 )	4.31
	18	13	-	-	31	4.53	3.77	-	-	8.3 ( 1.5 - 10.2 )	2700 ( 320 - 3240 )	12.36 ( 1.86 - 14.37 )	95 ( 75 - 98 )	4.30
	22	13	-	-	35	5.02	3.58	-	-	8.6 ( 1.5 - 10.2 )	2860 ( 320 - 3250 )	13.09 ( 1.86 - 14.42 )	95 ( 75 - 98 )	4.21
	24	13	-	-	37	5.32	3.28	-	-	8.6 ( 1.5 - 10.2 )	2860 ( 320 - 3250 )	13.09 ( 1.86 - 14.42 )	95 ( 75 - 98 )	4.21
	16	16	-	-	32	4.30	4.30	-	-	8.6 ( 1.5 - 10.2 )	2860 ( 320 - 3250 )	13.09 ( 1.86 - 14.42 )	95 ( 75 - 98 )	4.32
	18	16	-	-	34	4.49	4.11	-	-	8.6 ( 1.5 - 10.2 )	2860 ( 320 - 3250 )	13.09 ( 1.86 - 14.42 )	95 ( 75 - 98 )	4.31
	22	16	-	-	38	4.82	3.78	-	-	8.6 ( 1.5 - 10.2 )	2860 ( 320 - 3250 )	13.09 ( 1.86 - 14.42 )	95 ( 75 - 98 )	4.21
	24	16	-	-	40	5.12	3.48	-	-	8.6 ( 1.5 - 10.2 )	2860 ( 320 - 3250 )	13.09 ( 1.86 - 14.42 )	95 ( 75 - 98 )	4.21
	18	18	-	-	36	4.30	4.30	-	-	8.6 ( 1.5 - 10.2 )	2860 ( 320 - 3250 )	13.09 ( 1.86 - 14.42 )	95 ( 75 - 98 )	4.30
	22	18	-	-	40	4.63	3.97	-	-	8.6 ( 1.5 - 10.2 )	2860 ( 320 - 3250 )	13.09 ( 1.86 - 14.42 )	95 ( 75 - 98 )	4.20
	24	18	-	-	42	4.94	3.66	-	-	8.6 ( 1.5 - 10.2 )	2860 ( 320 - 3250 )	13.09 ( 1.86 - 14.42 )	95 ( 75 - 98 )	4.20
3 units operation	07	07	07	-	21	2.70	2.70	2.70	-	8.1 ( 2.0 - 10.4 )	2290 ( 380 - 2750 )	10.48 ( 2.07 - 12.20 )	95 ( 80 - 98 )	4.43
	10	07	07	-	24	3.53	2.38	2.38	-	8.3 ( 2.0 - 10.4 )	2300 ( 380 - 2750 )	10.53 ( 2.07 - 12.20 )	95 ( 80 - 98 )	4.43
	13	07	07	-	27	4.13	2.23	2.23	-	8.6 ( 2.0 - 10.4 )	2300 ( 380 - 2750 )	10.53 ( 2.07 - 12.20 )	95 ( 80 - 98 )	4.43
	16	07	07	-	30	4.39	2.16	2.16	-	8.7 ( 2.0 - 10.5 )	2350 ( 380 - 2760 )	10.76 ( 2.07 - 12.24 )	95 ( 80 - 98 )	4.44
	18	07	07	-	32	4.58	2.06	2.06	-	8.7 ( 2.0 - 10.5 )	2350 ( 380 - 2760 )	10.76 ( 2.07 - 12.24 )	95 ( 80 - 98 )	4.43
	22	07	07	-	36	4.91	1.89	1.89	-	8.7 ( 2.0 - 10.5 )	2350 ( 380 - 2760 )	10.76 ( 2.07 - 12.24 )	95 ( 80 - 98 )	4.29
	24	07	07	-	38	5.22	1.74	1.74	-	8.7 ( 2.0 - 10.5 )	2350 ( 380 - 2760 )	10.76 ( 2.07 - 12.24 )	95 ( 80 - 98 )	4.29
	10	10	07	-	27	3.18	3.18	2.14	-	8.5 ( 2.0 - 10.4 )	2300 ( 380 - 2750 )	10.53 ( 2.07 - 12.20 )	95 ( 80 - 98 )	4.43
	13	10	07	-	30	3.72	2.97	2.01	-	8.7 ( 2.0 - 10.5 )	2350 ( 380 - 2760 )	10.76 ( 2.07 - 12.24 )	95 ( 80 - 98 )	4.43
	16	10	07	-	33	3.92	2.85	1.93	-	8.7 ( 2.0 - 10.5 )	2350 ( 380 - 2760 )	10.76 ( 2.07 - 12.24 )	95 ( 80 - 98 )	4.44
	18	10	07	-	35	4.11	2.74	1.85	-	8.7 ( 2.0 - 10.5 )	2350 ( 380 - 2760 )	10.76 ( 2.07 - 12.24 )	95 ( 80 - 98 )	4.43
	22	10	07	-	39	4.50	2.57	1.73	-	8.8 ( 2.0 - 10.6 )	2400 ( 380 - 2780 )	10.98 ( 2.07 - 12.33 )	95 ( 80 - 98 )	4.29
24	10	07	-	41	4.82	2.38	1.61	-	8.8 ( 2.0 - 10.6 )	2400 ( 380 - 2780 )	10.98 ( 2.07 - 12.33 )	95 ( 80 - 98 )	4.29	

\*) Application FCU units are RAS-M07N3KV2-E1, RAS-B10N3KV2-E1, RAS-B12N3KV2-E1, RAS-B16N3KV2-E1 only.  
 Note) Combination of indoor units are Suzumi+(RAS-B/M\*\*N3KV2-E1) 13class.

<Combination> CDU: RAS-4M27S3AV-E

<Heating/230V>

Operating Status	Combination (kBTU)					Unit capacity (kW)				Total				
	A	B	C	D	ΣkBTU	A	B	C	D	Cooling capacity (kW)	Power input (W)	Running Current (A)	Power factor (%)	SCOP
										( 2.0 - 10.5 )	( 380 - 2760 )	( 2.07 - 12.24 )	( 80 - 98 )	
3 units operation	13	13	07	-	33	3.43	3.43	1.85	-	8.7	2350	10.76	95	4.43
	16	13	07	-	36	3.67	3.33	1.80	-	8.8	2400	10.98	95	4.44
	18	13	07	-	38	3.85	3.21	1.73	-	8.8	2400	10.98	95	4.43
	22	13	07	-	42	4.24	3.03	1.63	-	8.9	2450	11.21	95	4.29
	24	13	07	-	44	4.56	2.82	1.52	-	8.9	2450	11.21	95	4.29
	16	16	07	-	39	3.57	3.57	1.75	-	8.9	2450	11.21	95	4.44
	18	16	07	-	41	3.76	3.45	1.69	-	8.9	2450	11.21	95	4.43
	22	16	07	-	45	4.10	3.22	1.58	-	8.9	2450	11.21	95	4.30
	24	16	07	-	47	4.42	3.00	1.47	-	8.9	2450	11.21	95	4.30
	18	18	07	-	43	3.63	3.63	1.63	-	8.9	2450	11.21	95	4.42
	22	18	07	-	47	3.97	3.40	1.53	-	8.9	2450	11.21	95	4.29
	24	18	07	-	49	4.29	3.18	1.43	-	8.9	2450	11.21	95	4.29
	10	10	10	-	30	2.87	2.87	2.87	-	8.6	2300	10.53	95	4.43
	13	10	10	-	33	3.35	2.68	2.68	-	8.7	2350	10.76	95	4.43
	16	10	10	-	36	3.54	2.58	2.58	-	8.7	2350	10.76	95	4.44
	18	10	10	-	38	3.73	2.49	2.49	-	8.7	2350	10.76	95	4.43
	22	10	10	-	42	4.15	2.37	2.37	-	8.9	2450	11.21	95	4.29
	24	10	10	-	44	4.48	2.21	2.21	-	8.9	2450	11.21	95	4.29
	13	13	10	-	36	3.11	3.11	2.49	-	8.7	2350	10.76	95	4.43
	16	13	10	-	39	3.34	3.03	2.43	-	8.8	2400	10.98	95	4.44
	18	13	10	-	41	3.56	2.97	2.37	-	8.9	2450	11.21	95	4.43
	22	13	10	-	45	3.89	2.78	2.23	-	8.9	2450	11.21	95	4.29
	24	13	10	-	47	4.22	2.60	2.08	-	8.9	2450	11.21	95	4.29
	16	16	10	-	42	3.26	3.26	2.37	-	8.9	2450	11.21	95	4.44
	18	16	10	-	44	3.45	3.16	2.30	-	8.9	2450	11.21	95	4.43
	22	16	10	-	48	3.78	2.97	2.16	-	8.9	2450	11.21	95	4.30
	24	16	10	-	50	4.10	2.78	2.02	-	8.9	2450	11.21	95	4.30
	18	18	10	-	46	3.34	3.34	2.23	-	8.9	2450	11.21	95	4.42
	22	18	10	-	50	3.66	3.14	2.09	-	8.9	2450	11.21	95	4.29
	24	18	10	-	52	3.98	2.95	1.97	-	8.9	2450	11.21	95	4.29
13	13	13	-	39	2.93	2.93	2.93	-	8.8	2400	10.98	95	4.43	
16	13	13	-	42	3.16	2.87	2.87	-	8.9	2450	11.21	95	4.44	
18	13	13	-	44	3.34	2.78	2.78	-	8.9	2450	11.21	95	4.43	
22	13	13	-	48	3.66	2.62	2.62	-	8.9	2450	11.21	95	4.29	
24	13	13	-	50	3.98	2.46	2.46	-	8.9	2450	11.21	95	4.29	
16	16	13	-	45	3.06	3.06	2.78	-	8.9	2450	11.21	95	4.44	
18	16	13	-	47	3.24	2.97	2.70	-	8.9	2450	11.21	95	4.43	
22	16	13	-	51	3.56	2.80	2.54	-	8.9	2450	11.21	95	4.30	
24	16	13	-	53	3.88	2.63	2.39	-	8.9	2450	11.21	95	4.30	
18	18	13	-	49	3.14	3.14	2.62	-	8.9	2450	11.21	95	4.42	
22	18	13	-	53	3.46	2.97	2.47	-	8.9	2450	11.21	95	4.29	
16	16	16	-	48	2.97	2.97	2.97	-	8.9	2450	11.21	95	4.45	
22	16	16	-	54	3.46	2.72	2.72	-	8.9	2450	11.21	95	4.30	

\*) Application FCU units are RAS-M07N3KV2-E1, RAS-B10N3KV2-E1, RAS-B12N3KV2-E1, RAS-B16N3KV2-E1 only.  
 Note) Combination of indoor units are Suzumi+(RAS-B/M\*\*N3KV2-E1) 13class.

<Combination> CDU: RAS-4M27S3AV-E

<Heating/230V>

Operating Status	Combination (kBTU)					Unit capacity (kW)				Total				
	A	B	C	D	ΣkBTU	A	B	C	D	Cooling capacity (kW)	Power input (W)	Running Current (A)	Power factor (%)	SCOP
4 units operation	07	07	07	07	28	2.09	2.09	2.09	2.09	8.4 ( 2.90 - 11.5 )	1792 ( 501 - 2560 )	8.20 ( 2.42 - 11.36 )	95 ( 90 - 98 )	4.26
	10	07	07	07	31	2.80	1.89	1.89	1.89	8.5 ( 2.90 - 11.5 )	1812 ( 501 - 2560 )	8.29 ( 2.42 - 11.36 )	95 ( 90 - 98 )	4.26
	13	07	07	07	34	3.30	1.78	1.78	1.78	8.6 ( 2.90 - 11.6 )	1850 ( 501 - 2580 )	8.47 ( 2.42 - 11.45 )	95 ( 90 - 98 )	4.26
	16	07	07	07	37	3.53	1.73	1.73	1.73	8.7 ( 2.90 - 11.6 )	1869 ( 501 - 2580 )	8.55 ( 2.42 - 11.45 )	95 ( 90 - 98 )	4.27
	18	07	07	07	39	3.75	1.69	1.69	1.69	8.8 ( 2.90 - 11.6 )	1889 ( 501 - 2580 )	8.65 ( 2.42 - 11.45 )	95 ( 90 - 98 )	4.26
	22	07	07	07	43	4.13	1.59	1.59	1.59	8.9 ( 2.64 - 11.7 )	1905 ( 480 - 2600 )	8.72 ( 2.32 - 11.54 )	95 ( 90 - 98 )	4.13
	24	07	07	07	45	4.45	1.48	1.48	1.48	8.9 ( 2.64 - 11.7 )	1905 ( 480 - 2600 )	8.72 ( 2.32 - 11.54 )	95 ( 90 - 98 )	4.13
	10	10	07	07	34	2.58	2.58	1.74	1.74	8.6 ( 2.90 - 11.6 )	1850 ( 501 - 2580 )	8.47 ( 2.42 - 11.45 )	95 ( 90 - 98 )	4.26
	13	10	07	07	37	3.03	2.43	1.64	1.64	8.7 ( 2.90 - 11.6 )	1869 ( 501 - 2580 )	8.55 ( 2.42 - 11.45 )	95 ( 90 - 98 )	4.26
	16	10	07	07	40	3.26	2.37	1.60	1.60	8.8 ( 2.90 - 11.6 )	1889 ( 501 - 2580 )	8.65 ( 2.42 - 11.45 )	95 ( 90 - 98 )	4.27
	18	10	07	07	42	3.47	2.31	1.56	1.56	8.9 ( 2.90 - 11.7 )	1905 ( 501 - 2600 )	8.72 ( 2.42 - 11.54 )	95 ( 90 - 98 )	4.26
	22	10	07	07	46	3.80	2.17	1.47	1.47	8.9 ( 2.64 - 11.7 )	1905 ( 480 - 2600 )	8.72 ( 2.32 - 11.54 )	95 ( 90 - 98 )	4.13
	24	10	07	07	48	4.12	2.03	1.37	1.37	8.9 ( 2.64 - 11.7 )	1905 ( 480 - 2600 )	8.72 ( 2.32 - 11.54 )	95 ( 90 - 98 )	4.13
	13	13	07	07	40	2.89	2.89	1.56	1.56	8.9 ( 2.90 - 11.7 )	1905 ( 501 - 2600 )	8.72 ( 2.42 - 11.54 )	95 ( 90 - 98 )	4.26
	16	13	07	07	43	3.08	2.80	1.51	1.51	8.9 ( 2.90 - 11.7 )	1905 ( 501 - 2600 )	8.72 ( 2.42 - 11.54 )	95 ( 90 - 98 )	4.27
	18	13	07	07	45	3.26	2.71	1.47	1.47	8.9 ( 2.90 - 11.7 )	1905 ( 501 - 2600 )	8.72 ( 2.42 - 11.54 )	95 ( 90 - 98 )	4.26
	22	13	07	07	49	3.58	2.56	1.38	1.38	8.9 ( 2.64 - 11.7 )	1905 ( 480 - 2600 )	8.72 ( 2.32 - 11.54 )	95 ( 90 - 98 )	4.13
	24	13	07	07	51	3.90	2.41	1.30	1.30	8.9 ( 2.64 - 11.7 )	1905 ( 480 - 2600 )	8.72 ( 2.32 - 11.54 )	95 ( 90 - 98 )	4.13
	16	16	07	07	46	2.98	2.98	1.47	1.47	8.9 ( 2.90 - 11.7 )	1905 ( 501 - 2600 )	8.72 ( 2.42 - 11.54 )	95 ( 90 - 98 )	4.27
	18	16	07	07	48	3.16	2.90	1.42	1.42	8.9 ( 2.90 - 11.7 )	1905 ( 501 - 2600 )	8.72 ( 2.42 - 11.54 )	95 ( 90 - 98 )	4.26
	18	18	07	07	50	3.07	3.07	1.38	1.38	8.9 ( 2.90 - 11.7 )	1905 ( 501 - 2600 )	8.72 ( 2.42 - 11.54 )	95 ( 90 - 98 )	4.26
	10	10	10	07	37	2.35	2.35	2.35	1.59	8.6 ( 2.90 - 11.6 )	1850 ( 501 - 2580 )	8.47 ( 2.42 - 11.45 )	95 ( 90 - 98 )	4.26
	13	10	10	07	40	2.81	2.25	2.25	1.52	8.8 ( 2.90 - 11.6 )	1889 ( 501 - 2580 )	8.65 ( 2.42 - 11.45 )	95 ( 90 - 98 )	4.26
	16	10	10	07	43	3.02	2.20	2.20	1.48	8.9 ( 2.90 - 11.7 )	1905 ( 501 - 2600 )	8.72 ( 2.42 - 11.54 )	95 ( 90 - 98 )	4.27
	18	10	10	07	45	3.20	2.13	2.13	1.44	8.9 ( 2.90 - 11.7 )	1905 ( 501 - 2600 )	8.72 ( 2.42 - 11.54 )	95 ( 90 - 98 )	4.26
	22	10	10	07	49	3.52	2.01	2.01	1.36	8.9 ( 2.64 - 11.7 )	1905 ( 480 - 2600 )	8.72 ( 2.32 - 11.54 )	95 ( 90 - 98 )	4.13
	24	10	10	07	51	3.83	1.89	1.89	1.28	8.9 ( 2.64 - 11.7 )	1905 ( 480 - 2600 )	8.72 ( 2.32 - 11.54 )	95 ( 90 - 98 )	4.13
	13	13	10	07	43	2.66	2.66	2.13	1.44	8.9 ( 2.90 - 11.7 )	1905 ( 501 - 2600 )	8.72 ( 2.42 - 11.54 )	95 ( 90 - 98 )	4.26
16	13	10	07	46	2.85	2.59	2.07	1.40	8.9 ( 2.90 - 11.7 )	1905 ( 501 - 2600 )	8.72 ( 2.42 - 11.54 )	95 ( 90 - 98 )	4.27	
18	13	10	07	48	3.02	2.51	2.01	1.36	8.9 ( 2.90 - 11.7 )	1905 ( 501 - 2600 )	8.72 ( 2.42 - 11.54 )	95 ( 90 - 98 )	4.26	
22	13	10	07	52	3.37	2.41	1.93	1.30	9.0 ( 2.64 - 11.7 )	1927 ( 480 - 2600 )	8.82 ( 2.32 - 11.54 )	95 ( 90 - 98 )	4.13	
24	13	10	07	54	3.68	2.27	1.82	1.23	9.0 ( 2.64 - 11.7 )	1927 ( 480 - 2600 )	8.82 ( 2.32 - 11.54 )	95 ( 90 - 98 )	4.13	
16	16	10	07	49	2.77	2.77	2.01	1.36	8.9 ( 2.90 - 11.7 )	1905 ( 501 - 2600 )	8.72 ( 2.42 - 11.54 )	95 ( 90 - 98 )	4.27	
18	16	10	07	51	2.93	2.69	1.96	1.32	8.9 ( 2.90 - 11.7 )	1905 ( 501 - 2600 )	8.72 ( 2.42 - 11.54 )	95 ( 90 - 98 )	4.26	
18	18	10	07	53	2.89	2.89	1.93	1.30	9.0 ( 2.90 - 11.7 )	1927 ( 501 - 2600 )	8.82 ( 2.42 - 11.54 )	95 ( 90 - 98 )	4.26	
13	13	13	07	46	2.51	2.51	2.51	1.36	8.9 ( 2.90 - 11.7 )	1905 ( 501 - 2600 )	8.72 ( 2.42 - 11.54 )	95 ( 90 - 98 )	4.26	
16	13	13	07	49	2.69	2.45	2.45	1.32	8.9 ( 2.90 - 11.7 )	1905 ( 501 - 2600 )	8.72 ( 2.42 - 11.54 )	95 ( 90 - 98 )	4.27	
18	13	13	07	51	2.86	2.38	2.38	1.29	8.9 ( 2.90 - 11.7 )	1905 ( 501 - 2600 )	8.72 ( 2.42 - 11.54 )	95 ( 90 - 98 )	4.26	
16	16	13	07	52	2.65	2.65	2.41	1.30	9.0 ( 2.90 - 11.7 )	1927 ( 501 - 2600 )	8.82 ( 2.42 - 11.54 )	95 ( 90 - 98 )	4.27	
18	16	13	07	54	2.81	2.58	2.34	1.27	9.0 ( 2.90 - 11.7 )	1927 ( 501 - 2600 )	8.82 ( 2.42 - 11.54 )	95 ( 90 - 98 )	4.26	
10	10	10	10	40	2.18	2.18	2.18	2.18	8.7 ( 2.90 - 11.6 )	1869 ( 501 - 2580 )	8.55 ( 2.42 - 11.45 )	95 ( 90 - 98 )	4.26	
13	10	10	10	43	2.62	2.09	2.09	2.09	8.9 ( 2.90 - 11.7 )	1905 ( 501 - 2600 )	8.72 ( 2.42 - 11.54 )	95 ( 90 - 98 )	4.26	
16	10	10	10	46	2.80	2.03	2.03	2.03	8.9 ( 2.90 - 11.7 )	1905 ( 501 - 2600 )	8.72 ( 2.42 - 11.54 )	95 ( 90 - 98 )	4.27	
18	10	10	10	48	2.97	1.98	1.98	1.98	8.9 ( 2.90 - 11.7 )	1905 ( 501 - 2600 )	8.72 ( 2.42 - 11.54 )	95 ( 90 - 98 )	4.26	
22	10	10	10	52	3.32	1.89	1.89	1.89	9.0 ( 2.64 - 11.7 )	1927 ( 480 - 2600 )	8.82 ( 2.32 - 11.54 )	95 ( 90 - 98 )	4.13	

\* ) Application FCU units are RAS-M07N3KV2-E1, RAS-B10N3KV2-E1, RAS-B12N3KV2-E1, RAS-B16N3KV2-E1 only.  
 Note) Combination of indoor units are Suzumi+(RAS-B/M\*\*N3KV2-E1) 13class.

&lt;Combination&gt; CDU: RAS-4M27S3AV-E

&lt;Heating/230V&gt;

Operating Status	Combination (kBTU)					Unit capacity (kW)				Total				
	A	B	C	D	ΣkBTU	A	B	C	D	Cooling capacity (kW)	Power input (W)	Running Current (A)	Power factor (%)	SCOP
4 units operation	24	10	10	10	54	3.63	1.79	1.79	1.79	9.0 ( 2.64 - 11.7 )	1927 ( 480 - 2600 )	8.82 ( 2.32 - 11.54 )	95 ( 90 - 98 )	4.13
	13	13	10	10	46	2.47	2.47	1.98	1.98	8.9 ( 2.90 - 11.7 )	1905 ( 501 - 2600 )	8.72 ( 2.42 - 11.54 )	95 ( 90 - 98 )	4.26
	16	13	10	10	49	2.65	2.41	1.92	1.92	8.9 ( 2.90 - 11.7 )	1905 ( 501 - 2600 )	8.72 ( 2.42 - 11.54 )	95 ( 90 - 98 )	4.27
	16	16	10	10	52	2.61	2.61	1.89	1.89	9.0 ( 2.90 - 11.7 )	1927 ( 501 - 2600 )	8.82 ( 2.42 - 11.54 )	95 ( 90 - 98 )	4.27
	18	13	10	10	51	2.81	2.34	1.87	1.87	8.9 ( 2.90 - 11.7 )	1905 ( 501 - 2600 )	8.72 ( 2.42 - 11.54 )	95 ( 90 - 98 )	4.26
	18	16	10	10	54	2.77	2.54	1.85	1.85	9.0 ( 2.90 - 11.7 )	1927 ( 501 - 2600 )	8.82 ( 2.42 - 11.54 )	95 ( 90 - 98 )	4.26
	13	13	13	10	49	2.34	2.34	2.34	1.87	8.9 ( 2.90 - 11.7 )	1905 ( 501 - 2600 )	8.72 ( 2.42 - 11.54 )	95 ( 90 - 98 )	4.26
	16	13	13	10	52	2.54	2.31	2.31	1.85	9.0 ( 2.90 - 11.7 )	1927 ( 501 - 2600 )	8.82 ( 2.42 - 11.54 )	95 ( 90 - 98 )	4.27
	18	13	13	10	54	2.70	2.25	2.25	1.80	9.0 ( 2.90 - 11.7 )	1927 ( 501 - 2600 )	8.82 ( 2.42 - 11.54 )	95 ( 90 - 98 )	4.26
	13	13	13	13	52	2.25	2.25	2.25	2.25	9.0 ( 2.90 - 11.7 )	1927 ( 501 - 2600 )	8.82 ( 2.42 - 11.54 )	95 ( 90 - 98 )	4.26

\*) Application FCU units are RAS-M07N3KV2-E1, RAS-B10N3KV2-E1, RAS-B12N3KV2-E1, RAS-B16N3KV2-E1 only.

Note) Combination of indoor units are Suzumi+(RAS-B/M\*\*N3KV2-E1) 13class.



<Combination> CDU: RAS-4M27S3AV-E

<Heating/240V>

Operating Status	Combination (kBTU)					Unit capacity (kW)				Total				
	A	B	C	D	ΣkBTU	A	B	C	D	Cooling capacity (kW)	Power input (W)	Running Current (A)	Power factor (%)	SCOP
2 units operation	07	07	-	-	14	2.70	2.70	-	-	5.4 ( 1.5 - 7.4 )	2050 ( 320 - 3200 )	8.99 ( 1.78 - 13.61 )	95 ( 75 - 98 )	4.21
	10	07	-	-	17	4.00	2.70	-	-	6.7 ( 1.5 - 8.9 )	2080 ( 320 - 3200 )	9.12 ( 1.78 - 13.61 )	95 ( 75 - 98 )	4.21
	13	07	-	-	20	4.81	2.59	-	-	7.4 ( 1.5 - 10.1 )	2320 ( 320 - 3210 )	10.18 ( 1.78 - 13.65 )	95 ( 75 - 98 )	4.21
	16	07	-	-	23	5.10	2.50	-	-	7.6 ( 1.5 - 10.1 )	2480 ( 320 - 3230 )	10.88 ( 1.78 - 13.73 )	95 ( 75 - 98 )	4.31
	18	07	-	-	25	5.45	2.45	-	-	7.9 ( 1.5 - 10.1 )	2480 ( 320 - 3230 )	10.88 ( 1.78 - 13.73 )	95 ( 75 - 98 )	4.30
	22	07	-	-	29	5.70	2.20	-	-	7.9 ( 1.5 - 10.1 )	2480 ( 320 - 3230 )	10.88 ( 1.78 - 13.73 )	95 ( 75 - 98 )	4.21
	24	07	-	-	31	6.23	2.08	-	-	8.3 ( 1.5 - 10.2 )	2700 ( 320 - 3240 )	11.84 ( 1.78 - 13.78 )	95 ( 75 - 98 )	4.21
	10	10	-	-	20	3.60	3.60	-	-	7.2 ( 1.5 - 10.0 )	2100 ( 320 - 3200 )	9.21 ( 1.78 - 13.61 )	95 ( 75 - 98 )	4.21
	13	10	-	-	23	4.22	3.38	-	-	7.6 ( 1.5 - 10.1 )	2320 ( 320 - 3210 )	10.18 ( 1.78 - 13.65 )	95 ( 75 - 98 )	4.21
	16	10	-	-	26	4.57	3.33	-	-	7.9 ( 1.5 - 10.1 )	2480 ( 320 - 3230 )	10.88 ( 1.78 - 13.73 )	95 ( 75 - 98 )	4.31
	18	10	-	-	28	4.74	3.16	-	-	7.9 ( 1.5 - 10.1 )	2480 ( 320 - 3230 )	10.88 ( 1.78 - 13.73 )	95 ( 75 - 98 )	4.30
	24	10	-	-	34	5.76	2.84	-	-	8.6 ( 1.5 - 10.2 )	2860 ( 320 - 3250 )	12.54 ( 1.78 - 13.82 )	95 ( 75 - 98 )	4.21
	13	13	-	-	26	3.95	3.95	-	-	7.9 ( 1.5 - 10.1 )	2480 ( 320 - 3230 )	10.88 ( 1.78 - 13.73 )	95 ( 75 - 98 )	4.31
	16	13	-	-	29	4.35	3.95	-	-	8.3 ( 1.5 - 10.2 )	2700 ( 320 - 3240 )	11.84 ( 1.78 - 13.78 )	95 ( 75 - 98 )	4.31
	18	13	-	-	31	4.53	3.77	-	-	8.3 ( 1.5 - 10.2 )	2700 ( 320 - 3240 )	11.84 ( 1.78 - 13.78 )	95 ( 75 - 98 )	4.30
	22	13	-	-	35	5.02	3.58	-	-	8.6 ( 1.5 - 10.2 )	2860 ( 320 - 3250 )	12.54 ( 1.78 - 13.82 )	95 ( 75 - 98 )	4.21
	24	13	-	-	37	5.32	3.28	-	-	8.6 ( 1.5 - 10.2 )	2860 ( 320 - 3250 )	12.54 ( 1.78 - 13.82 )	95 ( 75 - 98 )	4.21
	16	16	-	-	32	4.30	4.30	-	-	8.6 ( 1.5 - 10.2 )	2860 ( 320 - 3250 )	12.54 ( 1.78 - 13.82 )	95 ( 75 - 98 )	4.32
	18	16	-	-	34	4.49	4.11	-	-	8.6 ( 1.5 - 10.2 )	2860 ( 320 - 3250 )	12.54 ( 1.78 - 13.82 )	95 ( 75 - 98 )	4.31
	22	16	-	-	38	4.82	3.78	-	-	8.6 ( 1.5 - 10.2 )	2860 ( 320 - 3250 )	12.54 ( 1.78 - 13.82 )	95 ( 75 - 98 )	4.21
	24	16	-	-	40	5.12	3.48	-	-	8.6 ( 1.5 - 10.2 )	2860 ( 320 - 3250 )	12.54 ( 1.78 - 13.82 )	95 ( 75 - 98 )	4.21
	18	18	-	-	36	4.30	4.30	-	-	8.6 ( 1.5 - 10.2 )	2860 ( 320 - 3250 )	12.54 ( 1.78 - 13.82 )	95 ( 75 - 98 )	4.30
	22	18	-	-	40	4.63	3.97	-	-	8.6 ( 1.5 - 10.2 )	2860 ( 320 - 3250 )	12.54 ( 1.78 - 13.82 )	95 ( 75 - 98 )	4.20
	24	18	-	-	42	4.94	3.66	-	-	8.6 ( 1.5 - 10.2 )	2860 ( 320 - 3250 )	12.54 ( 1.78 - 13.82 )	95 ( 75 - 98 )	4.20
3 units operation	07	07	07	-	21	2.70	2.70	2.70	-	8.1 ( 2.0 - 10.4 )	2290 ( 380 - 2750 )	10.04 ( 1.98 - 11.69 )	95 ( 80 - 98 )	4.43
	10	07	07	-	24	3.53	2.38	2.38	-	8.3 ( 2.0 - 10.4 )	2300 ( 380 - 2750 )	10.09 ( 1.98 - 11.69 )	95 ( 80 - 98 )	4.43
	13	07	07	-	27	4.13	2.23	2.23	-	8.6 ( 2.0 - 10.4 )	2300 ( 380 - 2750 )	10.09 ( 1.98 - 11.69 )	95 ( 80 - 98 )	4.43
	16	07	07	-	30	4.39	2.16	2.16	-	8.7 ( 2.0 - 10.5 )	2350 ( 380 - 2760 )	10.31 ( 1.98 - 11.73 )	95 ( 80 - 98 )	4.44
	18	07	07	-	32	4.58	2.06	2.06	-	8.7 ( 2.0 - 10.5 )	2350 ( 380 - 2760 )	10.31 ( 1.98 - 11.73 )	95 ( 80 - 98 )	4.43
	22	07	07	-	36	4.91	1.89	1.89	-	8.7 ( 2.0 - 10.5 )	2350 ( 380 - 2760 )	10.31 ( 1.98 - 11.73 )	95 ( 80 - 98 )	4.29
	24	07	07	-	38	5.22	1.74	1.74	-	8.7 ( 2.0 - 10.5 )	2350 ( 380 - 2760 )	10.31 ( 1.98 - 11.73 )	95 ( 80 - 98 )	4.29
	10	10	07	-	27	3.18	3.18	2.14	-	8.5 ( 2.0 - 10.4 )	2300 ( 380 - 2750 )	10.09 ( 1.98 - 11.69 )	95 ( 80 - 98 )	4.43
	13	10	07	-	30	3.72	2.97	2.01	-	8.7 ( 2.0 - 10.5 )	2350 ( 380 - 2760 )	10.31 ( 1.98 - 11.73 )	95 ( 80 - 98 )	4.43
	16	10	07	-	33	3.92	2.85	1.93	-	8.7 ( 2.0 - 10.5 )	2350 ( 380 - 2760 )	10.31 ( 1.98 - 11.73 )	95 ( 80 - 98 )	4.44
	18	10	07	-	35	4.11	2.74	1.85	-	8.7 ( 2.0 - 10.5 )	2350 ( 380 - 2760 )	10.31 ( 1.98 - 11.73 )	95 ( 80 - 98 )	4.43
	22	10	07	-	39	4.50	2.57	1.73	-	8.8 ( 2.0 - 10.6 )	2400 ( 380 - 2780 )	10.53 ( 1.98 - 11.82 )	95 ( 80 - 98 )	4.29
24	10	07	-	41	4.82	2.38	1.61	-	8.8 ( 2.0 - 10.6 )	2400 ( 380 - 2780 )	10.53 ( 1.98 - 11.82 )	95 ( 80 - 98 )	4.29	

\*) Application FCU units are RAS-M07N3KV2-E1, RAS-B10N3KV2-E1, RAS-B12N3KV2-E1, RAS-B16N3KV2-E1 only.  
 Note) Combination of indoor units are Suzumi+(RAS-B/M\*\*N3KV2-E1) 13class.

<Combination> CDU: RAS-4M27S3AV-E

<Heating/240V>

Operating Status	Combination (kBTU)					Unit capacity (kW)				Total				
	A	B	C	D	ΣkBTU	A	B	C	D	Cooling capacity (kW)	Power input (W)	Running Current (A)	Power factor (%)	SCOP
3 units operation	13	13	07	-	33	3.43	3.43	1.85	-	8.7 ( 2.0 - 10.5 )	2350 ( 380 - 2760 )	10.31 ( 1.98 - 11.73 )	95 ( 80 - 98 )	4.43
	16	13	07	-	36	3.67	3.33	1.80	-	8.8 ( 2.0 - 10.6 )	2400 ( 380 - 2780 )	10.53 ( 1.98 - 11.82 )	95 ( 80 - 98 )	4.44
	18	13	07	-	38	3.85	3.21	1.73	-	8.8 ( 2.0 - 10.6 )	2400 ( 380 - 2780 )	10.53 ( 1.98 - 11.82 )	95 ( 80 - 98 )	4.43
	22	13	07	-	42	4.24	3.03	1.63	-	8.9 ( 2.0 - 10.7 )	2450 ( 380 - 2790 )	10.75 ( 1.98 - 11.86 )	95 ( 80 - 98 )	4.29
	24	13	07	-	44	4.56	2.82	1.52	-	8.9 ( 2.0 - 10.7 )	2450 ( 380 - 2790 )	10.75 ( 1.98 - 11.86 )	95 ( 80 - 98 )	4.29
	16	16	07	-	39	3.57	3.57	1.75	-	8.9 ( 2.0 - 10.7 )	2450 ( 380 - 2790 )	10.75 ( 1.98 - 11.86 )	95 ( 80 - 98 )	4.44
	18	16	07	-	41	3.76	3.45	1.69	-	8.9 ( 2.0 - 10.7 )	2450 ( 380 - 2790 )	10.75 ( 1.98 - 11.86 )	95 ( 80 - 98 )	4.43
	22	16	07	-	45	4.10	3.22	1.58	-	8.9 ( 2.0 - 10.7 )	2450 ( 380 - 2790 )	10.75 ( 1.98 - 11.86 )	95 ( 80 - 98 )	4.30
	24	16	07	-	47	4.42	3.00	1.47	-	8.9 ( 2.0 - 10.7 )	2450 ( 380 - 2790 )	10.75 ( 1.98 - 11.86 )	95 ( 80 - 98 )	4.30
	18	18	07	-	43	3.63	3.63	1.63	-	8.9 ( 2.0 - 10.7 )	2450 ( 380 - 2790 )	10.75 ( 1.98 - 11.86 )	95 ( 80 - 98 )	4.42
	22	18	07	-	47	3.97	3.40	1.53	-	8.9 ( 2.0 - 10.7 )	2450 ( 380 - 2790 )	10.75 ( 1.98 - 11.86 )	95 ( 80 - 98 )	4.29
	24	18	07	-	49	4.29	3.18	1.43	-	8.9 ( 2.0 - 10.7 )	2450 ( 380 - 2790 )	10.75 ( 1.98 - 11.86 )	95 ( 80 - 98 )	4.29
	10	10	10	-	30	2.87	2.87	2.87	-	8.6 ( 2.0 - 10.4 )	2300 ( 380 - 2750 )	10.09 ( 1.98 - 11.69 )	95 ( 80 - 98 )	4.43
	13	10	10	-	33	3.35	2.68	2.68	-	8.7 ( 2.0 - 10.5 )	2350 ( 380 - 2760 )	10.31 ( 1.98 - 11.73 )	95 ( 80 - 98 )	4.43
	16	10	10	-	36	3.54	2.58	2.58	-	8.7 ( 2.0 - 10.5 )	2350 ( 380 - 2760 )	10.31 ( 1.98 - 11.73 )	95 ( 80 - 98 )	4.44
	18	10	10	-	38	3.73	2.49	2.49	-	8.7 ( 2.0 - 10.5 )	2350 ( 380 - 2760 )	10.31 ( 1.98 - 11.73 )	95 ( 80 - 98 )	4.43
	22	10	10	-	42	4.15	2.37	2.37	-	8.9 ( 2.0 - 10.7 )	2450 ( 380 - 2790 )	10.75 ( 1.98 - 11.86 )	95 ( 80 - 98 )	4.29
	24	10	10	-	44	4.48	2.21	2.21	-	8.9 ( 2.0 - 10.7 )	2450 ( 380 - 2790 )	10.75 ( 1.98 - 11.86 )	95 ( 80 - 98 )	4.29
	13	13	10	-	36	3.11	3.11	2.49	-	8.7 ( 2.0 - 10.5 )	2350 ( 380 - 2760 )	10.31 ( 1.98 - 11.73 )	95 ( 80 - 98 )	4.43
	16	13	10	-	39	3.34	3.03	2.43	-	8.8 ( 2.0 - 10.6 )	2400 ( 380 - 2780 )	10.53 ( 1.98 - 11.82 )	95 ( 80 - 98 )	4.44
	18	13	10	-	41	3.56	2.97	2.37	-	8.9 ( 2.0 - 10.7 )	2450 ( 380 - 2790 )	10.75 ( 1.98 - 11.86 )	95 ( 80 - 98 )	4.43
	22	13	10	-	45	3.89	2.78	2.23	-	8.9 ( 2.0 - 10.7 )	2450 ( 380 - 2790 )	10.75 ( 1.98 - 11.86 )	95 ( 80 - 98 )	4.29
	24	13	10	-	47	4.22	2.60	2.08	-	8.9 ( 2.0 - 10.7 )	2450 ( 380 - 2790 )	10.75 ( 1.98 - 11.86 )	95 ( 80 - 98 )	4.29
	16	16	10	-	42	3.26	3.26	2.37	-	8.9 ( 2.0 - 10.7 )	2450 ( 380 - 2790 )	10.75 ( 1.98 - 11.86 )	95 ( 80 - 98 )	4.44
	18	16	10	-	44	3.45	3.16	2.30	-	8.9 ( 2.0 - 10.7 )	2450 ( 380 - 2790 )	10.75 ( 1.98 - 11.86 )	95 ( 80 - 98 )	4.43
	22	16	10	-	48	3.78	2.97	2.16	-	8.9 ( 2.0 - 10.7 )	2450 ( 380 - 2790 )	10.75 ( 1.98 - 11.86 )	95 ( 80 - 98 )	4.30
	24	16	10	-	50	4.10	2.78	2.02	-	8.9 ( 2.0 - 10.7 )	2450 ( 380 - 2790 )	10.75 ( 1.98 - 11.86 )	95 ( 80 - 98 )	4.30
	18	18	10	-	46	3.34	3.34	2.23	-	8.9 ( 2.0 - 10.7 )	2450 ( 380 - 2790 )	10.75 ( 1.98 - 11.86 )	95 ( 80 - 98 )	4.42
22	18	10	-	50	3.66	3.14	2.09	-	8.9 ( 2.0 - 10.7 )	2450 ( 380 - 2790 )	10.75 ( 1.98 - 11.86 )	95 ( 80 - 98 )	4.29	
24	18	10	-	52	3.98	2.95	1.97	-	8.9 ( 2.0 - 10.7 )	2450 ( 380 - 2790 )	10.75 ( 1.98 - 11.86 )	95 ( 80 - 98 )	4.29	
13	13	13	-	39	2.93	2.93	2.93	-	8.8 ( 2.0 - 10.6 )	2400 ( 380 - 2780 )	10.53 ( 1.98 - 11.82 )	95 ( 80 - 98 )	4.43	
16	13	13	-	42	3.16	2.87	2.87	-	8.9 ( 2.0 - 10.7 )	2450 ( 380 - 2790 )	10.75 ( 1.98 - 11.86 )	95 ( 80 - 98 )	4.44	
18	13	13	-	44	3.34	2.78	2.78	-	8.9 ( 2.0 - 10.7 )	2450 ( 380 - 2790 )	10.75 ( 1.98 - 11.86 )	95 ( 80 - 98 )	4.43	
22	13	13	-	48	3.66	2.62	2.62	-	8.9 ( 2.0 - 10.7 )	2450 ( 380 - 2790 )	10.75 ( 1.98 - 11.86 )	95 ( 80 - 98 )	4.29	
24	13	13	-	50	3.98	2.46	2.46	-	8.9 ( 2.0 - 10.7 )	2450 ( 380 - 2790 )	10.75 ( 1.98 - 11.86 )	95 ( 80 - 98 )	4.29	
16	16	13	-	45	3.06	3.06	2.78	-	8.9 ( 2.0 - 10.7 )	2450 ( 380 - 2790 )	10.75 ( 1.98 - 11.86 )	95 ( 80 - 98 )	4.44	
18	16	13	-	47	3.24	2.97	2.70	-	8.9 ( 2.0 - 10.7 )	2450 ( 380 - 2790 )	10.75 ( 1.98 - 11.86 )	95 ( 80 - 98 )	4.43	
22	16	13	-	51	3.56	2.80	2.54	-	8.9 ( 2.0 - 10.7 )	2450 ( 380 - 2790 )	10.75 ( 1.98 - 11.86 )	95 ( 80 - 98 )	4.30	
24	16	13	-	53	3.88	2.63	2.39	-	8.9 ( 2.0 - 10.7 )	2450 ( 380 - 2790 )	10.75 ( 1.98 - 11.86 )	95 ( 80 - 98 )	4.30	
18	18	13	-	49	3.14	3.14	2.62	-	8.9 ( 2.0 - 10.7 )	2450 ( 380 - 2790 )	10.75 ( 1.98 - 11.86 )	95 ( 80 - 98 )	4.42	
22	18	13	-	53	3.46	2.97	2.47	-	8.9 ( 2.0 - 10.7 )	2450 ( 380 - 2790 )	10.75 ( 1.98 - 11.86 )	95 ( 80 - 98 )	4.29	
16	16	16	-	48	2.97	2.97	2.97	-	8.9 ( 2.0 - 10.7 )	2450 ( 380 - 2790 )	10.75 ( 1.98 - 11.86 )	95 ( 80 - 98 )	4.45	
22	16	16	-	54	3.46	2.72	2.72	-	8.9 ( 2.0 - 10.7 )	2450 ( 380 - 2790 )	10.75 ( 1.98 - 11.86 )	95 ( 80 - 98 )	4.30	

\* ) Application FCU units are RAS-M07N3KV2-E1, RAS-B10N3KV2-E1, RAS-B12N3KV2-E1, RAS-B16N3KV2-E1 only.  
 Note) Combination of indoor units are Suzumi+(RAS-B/M\*\*N3KV2-E1) 13class.

<Combination> CDU: RAS-4M27S3AV-E

<Heating/240V>

Operating Status	Combination (kBTU)					Unit capacity (kW)				Total				
	A	B	C	D	ΣkBTU	A	B	C	D	Cooling capacity (kW)	Power input (W)	Running Current (A)	Power factor (%)	SCOP
4 units operation	07	07	07	07	28	2.09	2.09	2.09	2.09	8.4 ( 2.90 - 11.5 )	1792 ( 501 - 2560 )	7.86 ( 2.32 - 10.88 )	95 ( 90 - 98 )	4.26
	10	07	07	07	31	2.80	1.89	1.89	1.89	8.5 ( 2.90 - 11.5 )	1812 ( 501 - 2560 )	7.95 ( 2.32 - 10.88 )	95 ( 90 - 98 )	4.26
	13	07	07	07	34	3.30	1.78	1.78	1.78	8.6 ( 2.90 - 11.6 )	1850 ( 501 - 2580 )	8.11 ( 2.32 - 10.97 )	95 ( 90 - 98 )	4.26
	16	07	07	07	37	3.53	1.73	1.73	1.73	8.7 ( 2.90 - 11.6 )	1869 ( 501 - 2580 )	8.20 ( 2.32 - 10.97 )	95 ( 90 - 98 )	4.27
	18	07	07	07	39	3.75	1.69	1.69	1.69	8.8 ( 2.90 - 11.6 )	1889 ( 501 - 2580 )	8.29 ( 2.32 - 10.97 )	95 ( 90 - 98 )	4.26
	22	07	07	07	43	4.13	1.59	1.59	1.59	8.9 ( 2.64 - 11.7 )	1905 ( 480 - 2600 )	8.36 ( 2.22 - 11.05 )	95 ( 90 - 98 )	4.13
	24	07	07	07	45	4.45	1.48	1.48	1.48	8.9 ( 2.64 - 11.7 )	1905 ( 480 - 2600 )	8.36 ( 2.22 - 11.05 )	95 ( 90 - 98 )	4.13
	10	10	07	07	34	2.58	2.58	1.74	1.74	8.6 ( 2.90 - 11.6 )	1850 ( 501 - 2580 )	8.11 ( 2.32 - 10.97 )	95 ( 90 - 98 )	4.26
	13	10	07	07	37	3.03	2.43	1.64	1.64	8.7 ( 2.90 - 11.6 )	1869 ( 501 - 2580 )	8.20 ( 2.32 - 10.97 )	95 ( 90 - 98 )	4.26
	16	10	07	07	40	3.26	2.37	1.60	1.60	8.8 ( 2.90 - 11.6 )	1889 ( 501 - 2580 )	8.29 ( 2.32 - 10.97 )	95 ( 90 - 98 )	4.27
	18	10	07	07	42	3.47	2.31	1.56	1.56	8.9 ( 2.90 - 11.7 )	1905 ( 501 - 2600 )	8.36 ( 2.32 - 11.05 )	95 ( 90 - 98 )	4.26
	22	10	07	07	46	3.80	2.17	1.47	1.47	8.9 ( 2.64 - 11.7 )	1905 ( 480 - 2600 )	8.36 ( 2.22 - 11.05 )	95 ( 90 - 98 )	4.13
	24	10	07	07	48	4.12	2.03	1.37	1.37	8.9 ( 2.64 - 11.7 )	1905 ( 480 - 2600 )	8.36 ( 2.22 - 11.05 )	95 ( 90 - 98 )	4.13
	13	13	07	07	40	2.89	2.89	1.56	1.56	8.9 ( 2.90 - 11.7 )	1905 ( 501 - 2600 )	8.36 ( 2.32 - 11.05 )	95 ( 90 - 98 )	4.26
	16	13	07	07	43	3.08	2.80	1.51	1.51	8.9 ( 2.90 - 11.7 )	1905 ( 501 - 2600 )	8.36 ( 2.32 - 11.05 )	95 ( 90 - 98 )	4.27
	18	13	07	07	45	3.26	2.71	1.47	1.47	8.9 ( 2.90 - 11.7 )	1905 ( 501 - 2600 )	8.36 ( 2.32 - 11.05 )	95 ( 90 - 98 )	4.26
	22	13	07	07	49	3.58	2.56	1.38	1.38	8.9 ( 2.64 - 11.7 )	1905 ( 480 - 2600 )	8.36 ( 2.22 - 11.05 )	95 ( 90 - 98 )	4.13
	24	13	07	07	51	3.90	2.41	1.30	1.30	8.9 ( 2.64 - 11.7 )	1905 ( 480 - 2600 )	8.36 ( 2.22 - 11.05 )	95 ( 90 - 98 )	4.13
	16	16	07	07	46	2.98	2.98	1.47	1.47	8.9 ( 2.90 - 11.7 )	1905 ( 501 - 2600 )	8.36 ( 2.32 - 11.05 )	95 ( 90 - 98 )	4.27
	18	16	07	07	48	3.16	2.90	1.42	1.42	8.9 ( 2.90 - 11.7 )	1905 ( 501 - 2600 )	8.36 ( 2.32 - 11.05 )	95 ( 90 - 98 )	4.26
	18	18	07	07	50	3.07	3.07	1.38	1.38	8.9 ( 2.90 - 11.7 )	1905 ( 501 - 2600 )	8.36 ( 2.32 - 11.05 )	95 ( 90 - 98 )	4.26
	10	10	10	07	37	2.35	2.35	2.35	1.59	8.6 ( 2.90 - 11.6 )	1850 ( 501 - 2580 )	8.11 ( 2.32 - 10.97 )	95 ( 90 - 98 )	4.26
	13	10	10	07	40	2.81	2.25	2.25	1.52	8.8 ( 2.90 - 11.6 )	1889 ( 501 - 2580 )	8.29 ( 2.32 - 10.97 )	95 ( 90 - 98 )	4.26
	16	10	10	07	43	3.02	2.20	2.20	1.48	8.9 ( 2.90 - 11.7 )	1905 ( 501 - 2600 )	8.36 ( 2.32 - 11.05 )	95 ( 90 - 98 )	4.27
	18	10	10	07	45	3.20	2.13	2.13	1.44	8.9 ( 2.90 - 11.7 )	1905 ( 501 - 2600 )	8.36 ( 2.32 - 11.05 )	95 ( 90 - 98 )	4.26
	22	10	10	07	49	3.52	2.01	2.01	1.36	8.9 ( 2.64 - 11.7 )	1905 ( 480 - 2600 )	8.36 ( 2.22 - 11.05 )	95 ( 90 - 98 )	4.13
	24	10	10	07	51	3.83	1.89	1.89	1.28	8.9 ( 2.64 - 11.7 )	1905 ( 480 - 2600 )	8.36 ( 2.22 - 11.05 )	95 ( 90 - 98 )	4.13
	13	13	10	07	43	2.66	2.66	2.13	1.44	8.9 ( 2.90 - 11.7 )	1905 ( 501 - 2600 )	8.36 ( 2.32 - 11.05 )	95 ( 90 - 98 )	4.26
16	13	10	07	46	2.85	2.59	2.07	1.40	8.9 ( 2.90 - 11.7 )	1905 ( 501 - 2600 )	8.36 ( 2.32 - 11.05 )	95 ( 90 - 98 )	4.27	
18	13	10	07	48	3.02	2.51	2.01	1.36	8.9 ( 2.90 - 11.7 )	1905 ( 501 - 2600 )	8.36 ( 2.32 - 11.05 )	95 ( 90 - 98 )	4.26	
22	13	10	07	52	3.37	2.41	1.93	1.30	9.0 ( 2.64 - 11.7 )	1927 ( 480 - 2600 )	8.45 ( 2.22 - 11.05 )	95 ( 90 - 98 )	4.13	
24	13	10	07	54	3.68	2.27	1.82	1.23	9.0 ( 2.64 - 11.7 )	1927 ( 480 - 2600 )	8.45 ( 2.22 - 11.05 )	95 ( 90 - 98 )	4.13	
16	16	10	07	49	2.77	2.77	2.01	1.36	8.9 ( 2.90 - 11.7 )	1905 ( 501 - 2600 )	8.36 ( 2.32 - 11.05 )	95 ( 90 - 98 )	4.27	
18	16	10	07	51	2.93	2.69	1.96	1.32	8.9 ( 2.90 - 11.7 )	1905 ( 501 - 2600 )	8.36 ( 2.32 - 11.05 )	95 ( 90 - 98 )	4.26	
18	18	10	07	53	2.89	2.89	1.93	1.30	9.0 ( 2.90 - 11.7 )	1927 ( 501 - 2600 )	8.45 ( 2.32 - 11.05 )	95 ( 90 - 98 )	4.26	
13	13	13	07	46	2.51	2.51	2.51	1.36	8.9 ( 2.90 - 11.7 )	1905 ( 501 - 2600 )	8.36 ( 2.32 - 11.05 )	95 ( 90 - 98 )	4.26	
16	13	13	07	49	2.69	2.45	2.45	1.32	8.9 ( 2.90 - 11.7 )	1905 ( 501 - 2600 )	8.36 ( 2.32 - 11.05 )	95 ( 90 - 98 )	4.27	
18	13	13	07	51	2.86	2.38	2.38	1.29	8.9 ( 2.90 - 11.7 )	1905 ( 501 - 2600 )	8.36 ( 2.32 - 11.05 )	95 ( 90 - 98 )	4.26	
16	16	13	07	52	2.65	2.65	2.41	1.30	9.0 ( 2.90 - 11.7 )	1927 ( 501 - 2600 )	8.45 ( 2.32 - 11.05 )	95 ( 90 - 98 )	4.27	
18	16	13	07	54	2.81	2.58	2.34	1.27	9.0 ( 2.90 - 11.7 )	1927 ( 501 - 2600 )	8.45 ( 2.32 - 11.05 )	95 ( 90 - 98 )	4.26	
10	10	10	10	40	2.18	2.18	2.18	2.18	8.7 ( 2.90 - 11.6 )	1869 ( 501 - 2580 )	8.20 ( 2.32 - 10.97 )	95 ( 90 - 98 )	4.26	
13	10	10	10	43	2.62	2.09	2.09	2.09	8.9 ( 2.90 - 11.7 )	1905 ( 501 - 2600 )	8.36 ( 2.32 - 11.05 )	95 ( 90 - 98 )	4.26	
16	10	10	10	46	2.80	2.03	2.03	2.03	8.9 ( 2.90 - 11.7 )	1905 ( 501 - 2600 )	8.36 ( 2.32 - 11.05 )	95 ( 90 - 98 )	4.27	
18	10	10	10	48	2.97	1.98	1.98	1.98	8.9 ( 2.90 - 11.7 )	1905 ( 501 - 2600 )	8.36 ( 2.32 - 11.05 )	95 ( 90 - 98 )	4.26	
22	10	10	10	52	3.32	1.89	1.89	1.89	9.0 ( 2.64 - 11.7 )	1927 ( 480 - 2600 )	8.45 ( 2.22 - 11.05 )	95 ( 90 - 98 )	4.13	

\*) Application FCU units are RAS-M07N3KV2-E1, RAS-B10N3KV2-E1, RAS-B12N3KV2-E1, RAS-B16N3KV2-E1 only.  
 Note) Combination of indoor units are Suzumi+(RAS-B/M\*\*N3KV2-E1) 13class.

&lt;Combination&gt; CDU: RAS-4M27S3AV-E

&lt;Heating/240V&gt;

Operating Status	Combination (kBTU)					Unit capacity (kW)				Total				
	A	B	C	D	ΣkBTU	A	B	C	D	Cooling capacity (kW)	Power input (W)	Running Current (A)	Power factor (%)	SCOP
4 units operation	24	10	10	10	54	3.63	1.79	1.79	1.79	9.0 ( 2.64 - 11.7 )	1927 ( 480 - 2600 )	8.45 ( 2.22 - 11.05 )	95 ( 90 - 98 )	4.13
	13	13	10	10	46	2.47	2.47	1.98	1.98	8.9 ( 2.90 - 11.7 )	1905 ( 501 - 2600 )	8.36 ( 2.32 - 11.05 )	95 ( 90 - 98 )	4.26
	16	13	10	10	49	2.65	2.41	1.92	1.92	8.9 ( 2.90 - 11.7 )	1905 ( 501 - 2600 )	8.36 ( 2.32 - 11.05 )	95 ( 90 - 98 )	4.27
	16	16	10	10	52	2.61	2.61	1.89	1.89	9.0 ( 2.90 - 11.7 )	1927 ( 501 - 2600 )	8.45 ( 2.32 - 11.05 )	95 ( 90 - 98 )	4.27
	18	13	10	10	51	2.81	2.34	1.87	1.87	8.9 ( 2.90 - 11.7 )	1905 ( 501 - 2600 )	8.36 ( 2.32 - 11.05 )	95 ( 90 - 98 )	4.26
	18	16	10	10	54	2.77	2.54	1.85	1.85	9.0 ( 2.90 - 11.7 )	1927 ( 501 - 2600 )	8.45 ( 2.32 - 11.05 )	95 ( 90 - 98 )	4.26
	13	13	13	10	49	2.34	2.34	2.34	1.87	8.9 ( 2.90 - 11.7 )	1905 ( 501 - 2600 )	8.36 ( 2.32 - 11.05 )	95 ( 90 - 98 )	4.26
	16	13	13	10	52	2.54	2.31	2.31	1.85	9.0 ( 2.90 - 11.7 )	1927 ( 501 - 2600 )	8.45 ( 2.32 - 11.05 )	95 ( 90 - 98 )	4.27
	18	13	13	10	54	2.70	2.25	2.25	1.80	9.0 ( 2.90 - 11.7 )	1927 ( 501 - 2600 )	8.45 ( 2.32 - 11.05 )	95 ( 90 - 98 )	4.26
	13	13	13	13	52	2.25	2.25	2.25	2.25	9.0 ( 2.90 - 11.7 )	1927 ( 501 - 2600 )	8.45 ( 2.32 - 11.05 )	95 ( 90 - 98 )	4.26

\*) Application FCU units are RAS-M07N3KV2-E1, RAS-B10N3KV2-E1, RAS-B12N3KV2-E1, RAS-B16N3KV2-E1 only.

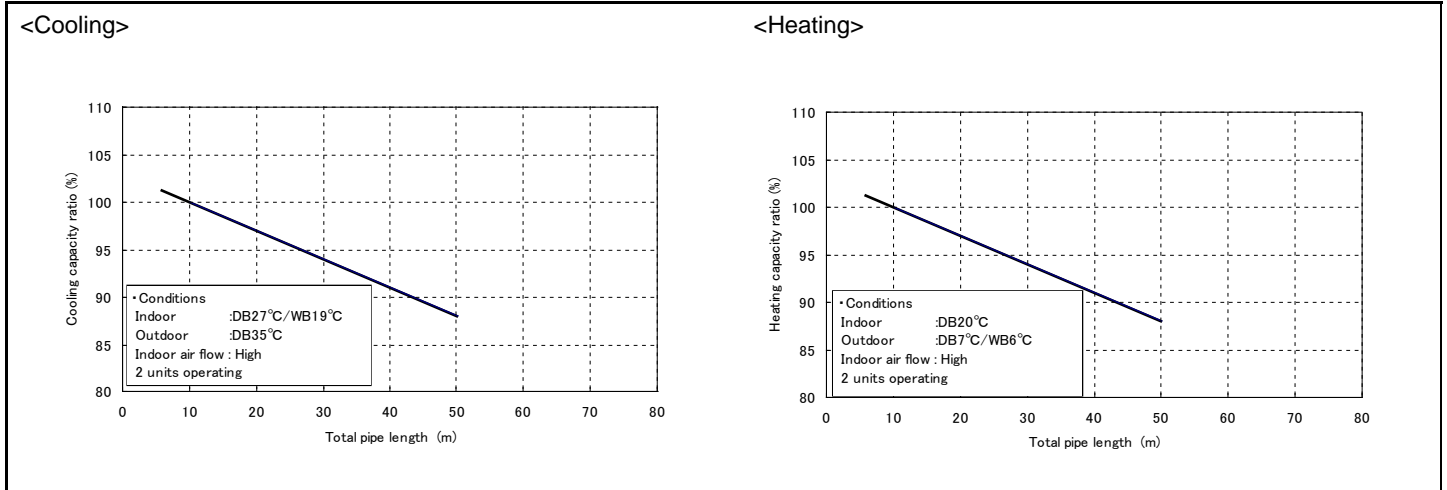
Note) Combination of indoor units are Suzumi+(RAS-B/M\*\*N3KV2-E1) 13class.

### 3. Pipe Capacity Correction

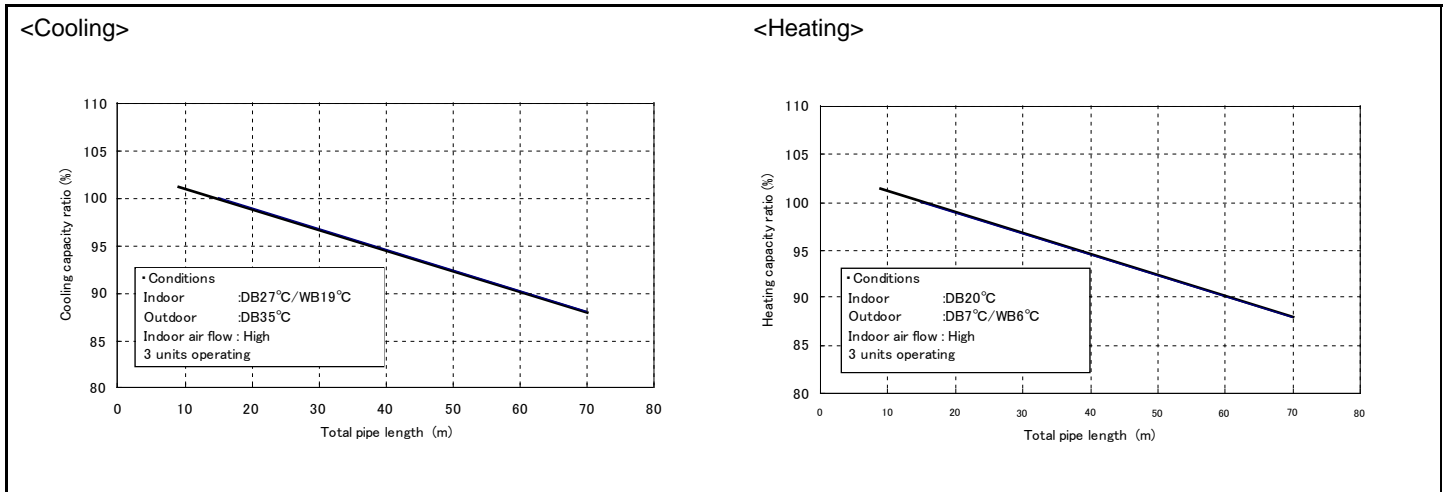
Connecting pipe length and lift difference between indoor units vs. capacity correction value

#### RAS-4M27S3AV-E

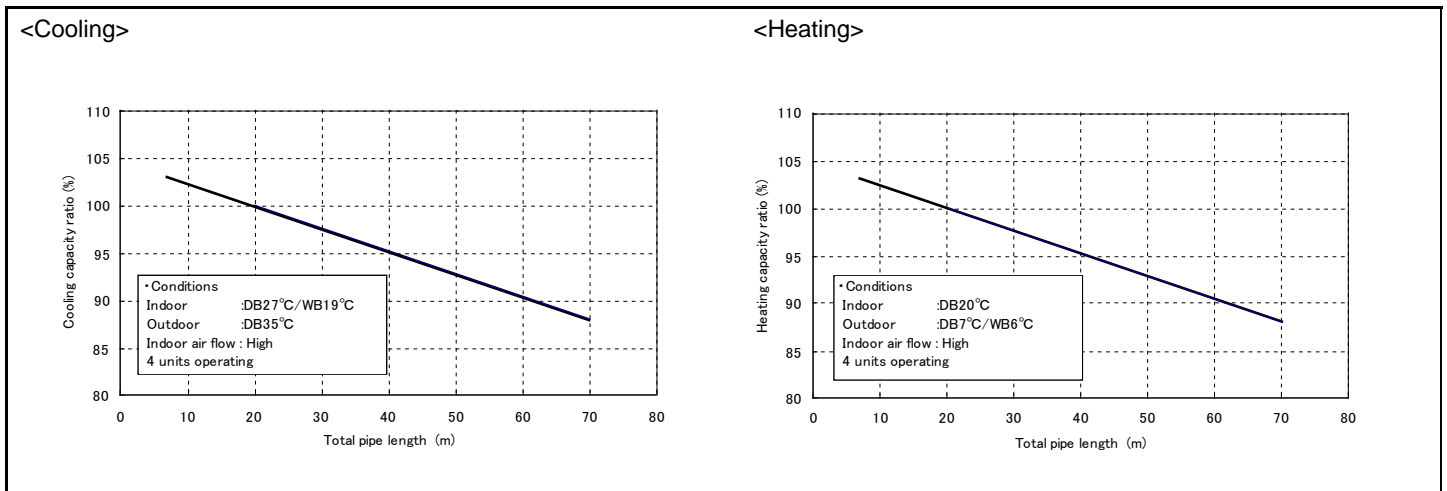
<2 rooms>



<3 rooms>

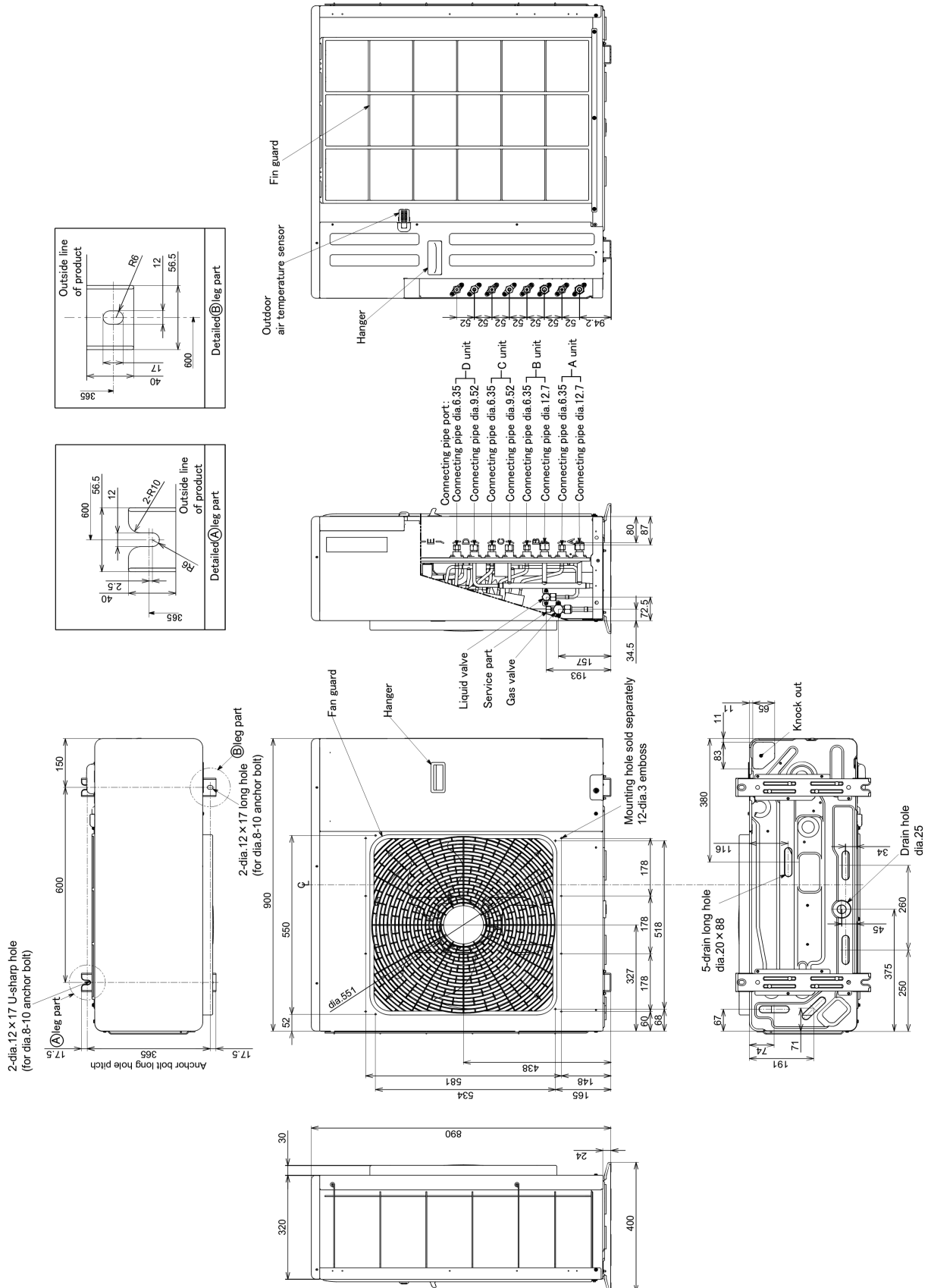


<4 rooms>



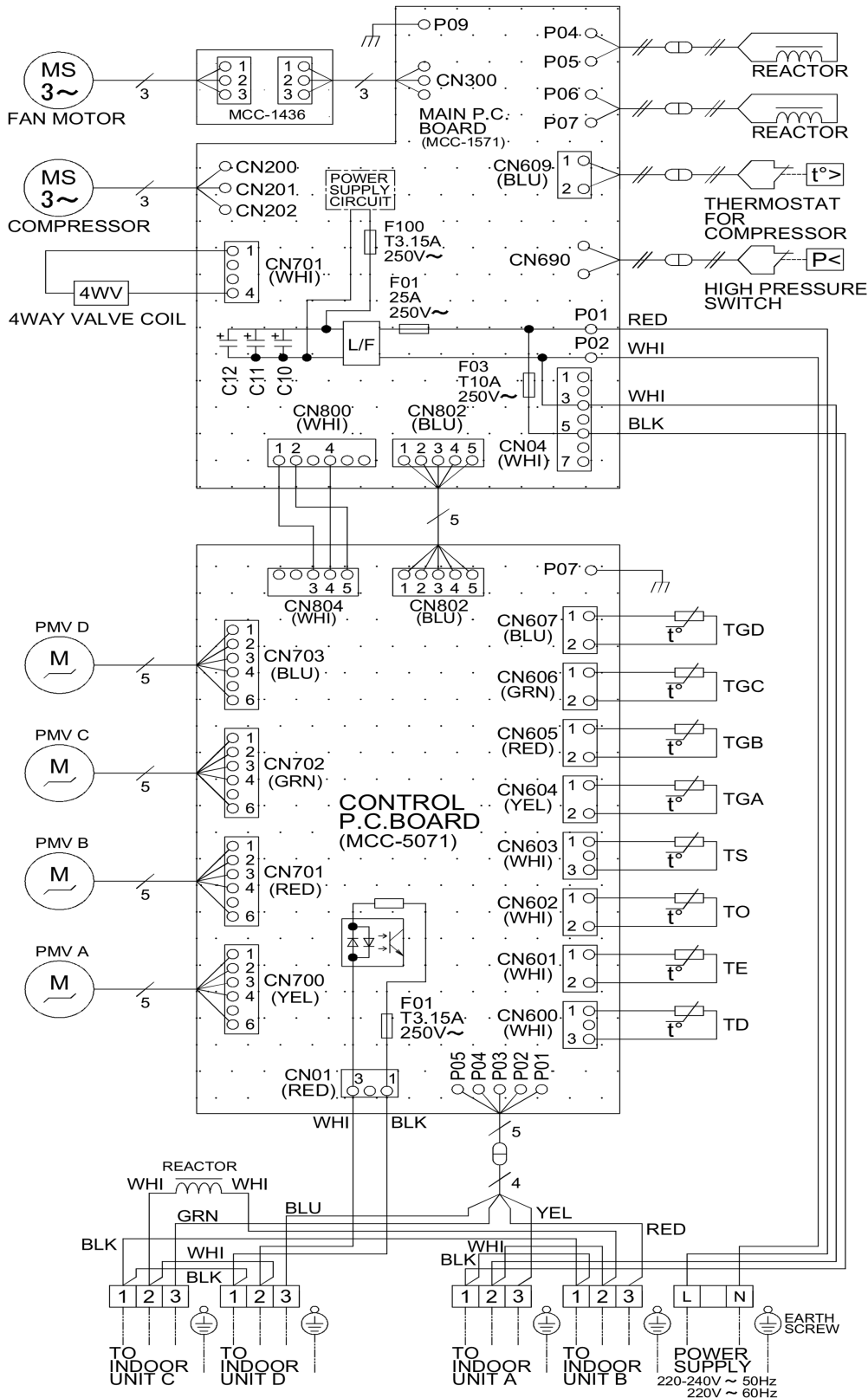
# 4. Dimension

## RAS-4M27S3AV-E



### 5. Wiring diagrams

#### RAS-4M27S3AV-E



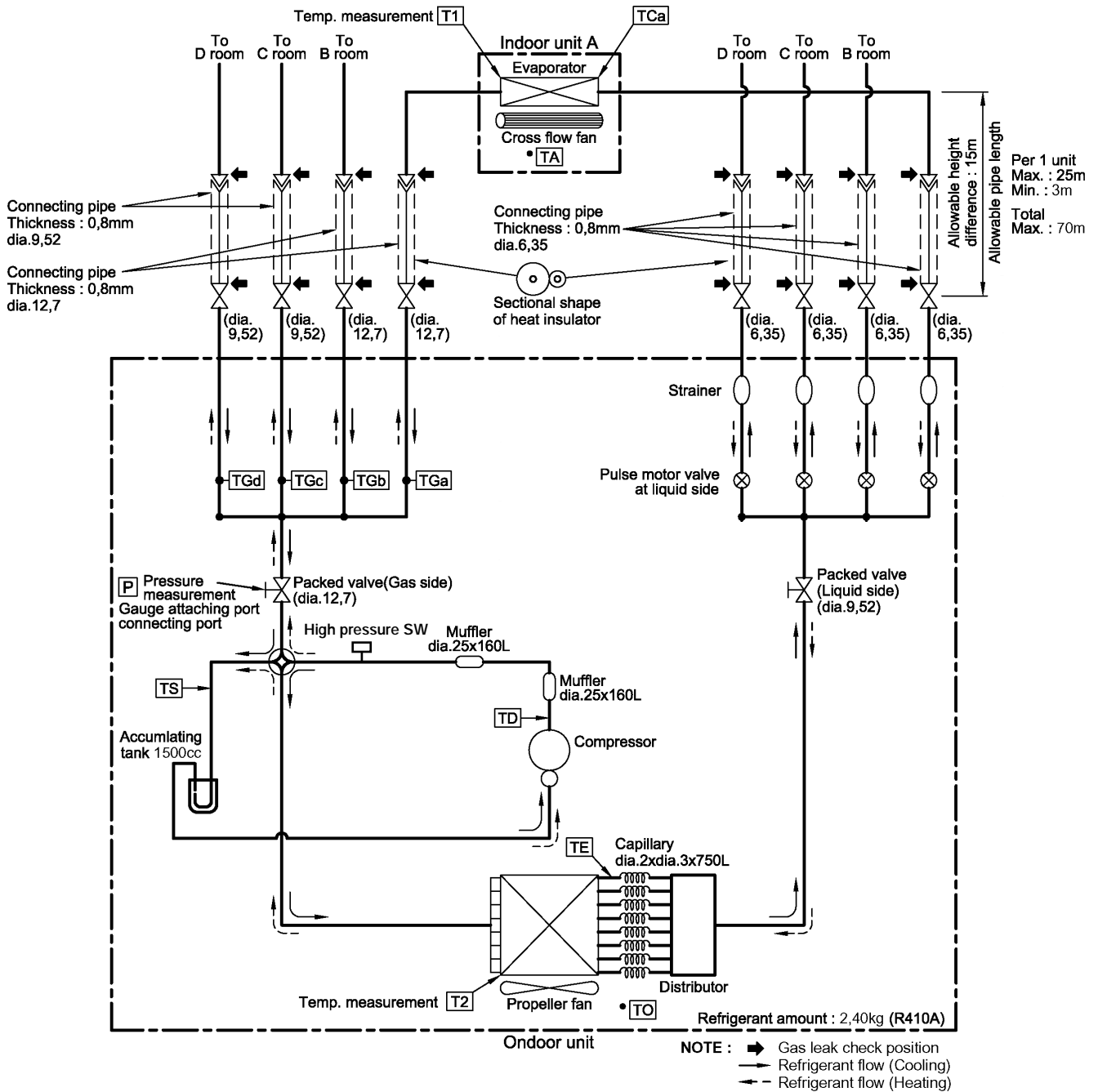
**COLOR IDENTIFICATION**

BLK:BLACK	GRN:GREEN
BLU:BLUE	WHI:WHITE
RED:RED	YEL:YELLOW

Symbol	Part name
PMV	PULSE MOTOR VALVE
TD	DISCHARGE PIPE TEMP. SENSOR
TE	CONDENSER PIPE TEMP. SENSOR
TO	OUTDOOR TEMP. SENSOR
TS	SUCTION PIPE TEMP. SENSOR
TGA ~ TGC	GAS SIDE PIPE TEMP. SENSOR A ~ C
L / F	LINE FILTER

## 6. REFRIGERANT CYCLE DIAGRAM

### RAS-4M27S3AV-E



#### NOTE :

- You need not add refrigerant if the piping length is 40m or less.
- If the length exceeds 41m, add 20g of refrigerant per 1 meter over.
- Connection of only one indoor unit is unavailable. Two or more indoor units should be connected.

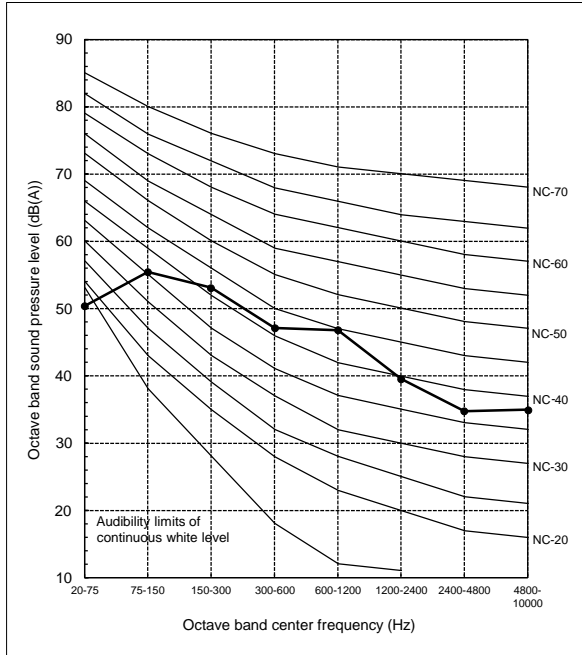


# 7. Sound Characteristics (NC Curve)

## RAS-4M27S3AV-E

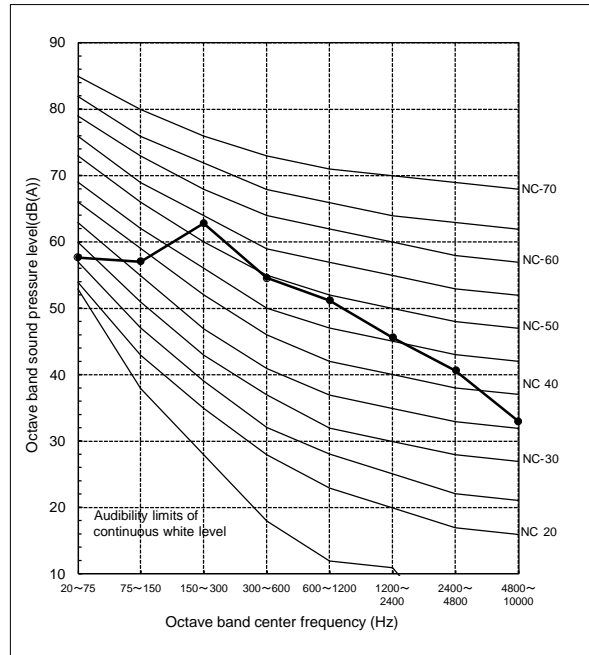
(Cooling)

Fan Tap	Cooling
Sound pressure level (dB(A))	48

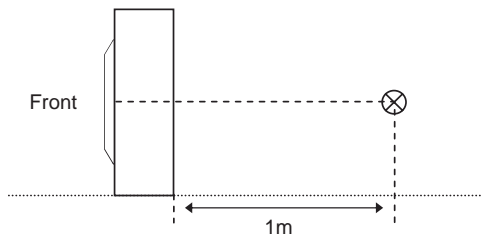


(Heating)

Fan Tap	Heating
Sound pressure level (dB(A))	49



Sound level values shown are based on a measurement in a non resound room.



## 8. Capacity table

Cooling(230V/50Hz)

Combination (Capacity)	Outdoor air temp. [C DB]	Indoor air temp. [C WB]											
		14		16		18		19		22		24	
		TC [kW]	PI [kW]	TC [kW]	PI [kW]	TC [kW]	PI [kW]	TC [kW]	PI [kW]	TC [kW]	PI [kW]	TC [kW]	PI [kW]
07	46	1.56	0.71	1.66	0.72	1.75	0.73	1.80	0.74	1.93	0.75	2.03	0.76
	43	1.62	0.69	1.71	0.70	1.81	0.71	1.85	0.72	1.99	0.73	2.08	0.74
	40	1.68	0.67	1.77	0.68	1.86	0.69	1.91	0.69	2.05	0.71	2.14	0.72
	35	1.77	0.62	1.86	0.63	1.95	0.64	2.00	0.65	2.14	0.67	2.23	0.68
	32	1.83	0.61	1.92	0.61	2.01	0.63	2.06	0.63	2.19	0.65	2.29	0.66
	25	1.96	0.55	2.05	0.56	2.14	0.58	2.19	0.58	2.32	0.60	2.42	0.60
	22	2.01	0.53	2.10	0.54	2.20	0.55	2.24	0.55	2.38	0.57	2.47	0.58
10	46	2.11	0.82	2.24	0.83	2.36	0.84	2.42	0.85	2.61	0.87	2.74	0.88
	43	2.19	0.80	2.31	0.81	2.44	0.82	2.50	0.83	2.69	0.84	2.81	0.85
	40	2.26	0.77	2.39	0.78	2.51	0.79	2.58	0.80	2.76	0.82	2.89	0.83
	35	2.39	0.72	2.51	0.73	2.64	0.74	2.70	0.75	2.89	0.77	3.01	0.78
	32	2.46	0.70	2.59	0.71	2.71	0.73	2.78	0.73	2.96	0.75	3.09	0.76
	25	2.64	0.64	2.77	0.65	2.89	0.67	2.95	0.67	3.14	0.69	3.26	0.70
	22	2.72	0.61	2.84	0.62	2.97	0.64	3.03	0.64	3.21	0.66	3.34	0.67
13	46	2.90	1.31	3.07	1.33	3.24	1.35	3.32	1.36	3.58	1.39	3.75	1.41
	43	3.00	1.27	3.17	1.29	3.34	1.31	3.43	1.32	3.68	1.35	3.85	1.37
	40	3.10	1.23	3.27	1.25	3.44	1.27	3.53	1.28	3.78	1.31	3.96	1.32
	35	3.27	1.15	3.44	1.17	3.61	1.19	3.70	1.20	3.96	1.23	4.13	1.25
	32	3.38	1.12	3.55	1.13	3.72	1.16	3.81	1.16	4.06	1.20	4.23	1.21
	25	3.62	1.02	3.79	1.03	3.96	1.06	4.05	1.07	4.30	1.10	4.47	1.11
	22	3.72	0.98	3.89	0.99	4.06	1.02	4.15	1.02	4.40	1.06	4.58	1.07
16	46	3.52	1.81	3.73	1.83	3.94	1.86	4.04	1.88	4.35	1.91	4.56	1.94
	43	3.65	1.75	3.85	1.78	4.06	1.80	4.17	1.82	4.48	1.85	4.69	1.88
	40	3.77	1.69	3.98	1.72	4.19	1.75	4.29	1.76	4.60	1.80	4.81	1.82
	35	3.98	1.58	4.19	1.61	4.40	1.64	4.50	1.65	4.81	1.69	5.02	1.71
	32	4.11	1.54	4.32	1.56	4.52	1.60	4.63	1.60	4.94	1.65	5.15	1.67
	25	4.40	1.41	4.61	1.42	4.82	1.46	4.92	1.47	5.23	1.52	5.44	1.53
	22	4.53	1.35	4.73	1.36	4.94	1.41	5.05	1.41	5.35	1.46	5.57	1.47
18	46	3.91	2.14	4.14	2.17	4.37	2.20	4.49	2.22	4.83	2.26	5.07	2.29
	43	4.05	2.07	4.28	2.10	4.51	2.13	4.63	2.15	4.97	2.19	5.21	2.22
	40	4.19	2.00	4.42	2.03	4.65	2.06	4.77	2.08	5.11	2.12	5.35	2.15
	35	4.42	1.87	4.65	1.90	4.88	1.93	5.00	1.95	5.35	2.00	5.58	2.03
	32	4.56	1.82	4.79	1.84	5.03	1.89	5.14	1.89	5.48	1.95	5.72	1.97
	25	4.89	1.66	5.12	1.68	5.35	1.73	5.47	1.73	5.81	1.79	6.04	1.81
	22	5.03	1.59	5.26	1.61	5.49	1.66	5.61	1.66	5.95	1.72	6.18	1.74
22	46	4.69	2.21	4.97	2.24	5.25	2.27	5.39	2.30	5.80	2.34	6.08	2.37
	43	4.86	2.14	5.14	2.17	5.42	2.21	5.56	2.22	5.97	2.27	6.25	2.30
	40	5.03	2.07	5.31	2.10	5.58	2.14	5.72	2.15	6.14	2.20	6.42	2.23
	35	5.31	1.94	5.58	1.97	5.86	2.00	6.00	2.02	6.41	2.07	6.69	2.10
	32	5.48	1.89	5.75	1.91	6.03	1.95	6.17	1.96	6.58	2.02	6.86	2.04
	25	5.87	1.72	6.15	1.74	6.42	1.79	6.56	1.79	6.97	1.85	7.25	1.87
	22	6.04	1.65	6.31	1.67	6.59	1.72	6.73	1.72	7.14	1.79	7.42	1.80
24	46	5.56	2.62	5.88	2.66	6.21	2.69	6.38	2.72	6.87	2.77	7.19	2.81
	43	5.75	2.54	6.08	2.57	6.41	2.61	6.57	2.63	7.06	2.68	7.39	2.72
	40	5.95	2.45	6.28	2.49	6.61	2.53	6.77	2.55	7.26	2.60	7.59	2.64
	35	6.28	2.30	6.61	2.33	6.94	2.37	7.10	2.39	7.59	2.45	7.92	2.48
	32	6.48	2.23	6.81	2.26	7.14	2.31	7.30	2.32	7.79	2.39	8.12	2.41
	25	6.94	2.04	7.27	2.06	7.60	2.12	7.76	2.12	8.25	2.19	8.58	2.22
	22	7.14	1.95	7.47	1.98	7.80	2.04	7.96	2.04	8.45	2.11	8.78	2.13

TC : Total capacity[kW]

PI : Power input [kW]

Cooling(230V/50Hz)

Combination (Capacity)	Outdoor air temp. [C DB]	Indoor air temp. [C WB]											
		14		16		18		19		22		24	
		TC [kW]	PI [kW]	TC [kW]	PI [kW]	TC [kW]	PI [kW]	TC [kW]	PI [kW]	TC [kW]	PI [kW]	TC [kW]	PI [kW]
07+07	46	3.13	1.67	3.31	1.69	3.50	1.71	3.59	1.73	3.87	1.76	4.05	1.79
	43	3.24	1.61	3.43	1.64	3.61	1.66	3.70	1.67	3.98	1.71	4.17	1.73
	40	3.35	1.56	3.54	1.58	3.72	1.61	3.82	1.62	4.09	1.66	4.28	1.68
	35	3.54	1.46	3.72	1.48	3.91	1.51	4.00	1.52	4.28	1.56	4.46	1.58
	32	3.65	1.42	3.84	1.44	4.02	1.47	4.11	1.48	4.39	1.52	4.57	1.53
	25	3.91	1.30	4.10	1.31	4.28	1.35	4.37	1.35	4.65	1.40	4.84	1.41
	22	4.02	1.24	4.21	1.26	4.39	1.30	4.49	1.30	4.76	1.34	4.95	1.35
10+07	46	3.68	1.68	3.89	1.70	4.11	1.72	4.22	1.74	4.54	1.77	4.76	1.80
	43	3.81	1.62	4.03	1.65	4.24	1.67	4.35	1.68	4.68	1.72	4.89	1.74
	40	3.94	1.57	4.16	1.59	4.37	1.62	4.48	1.63	4.81	1.67	5.03	1.69
	35	4.16	1.47	4.37	1.49	4.59	1.52	4.70	1.53	5.02	1.57	5.24	1.59
	32	4.29	1.43	4.51	1.45	4.72	1.48	4.83	1.49	5.15	1.53	5.38	1.54
	25	4.60	1.30	4.81	1.32	5.03	1.36	5.14	1.36	5.46	1.40	5.68	1.42
	22	4.73	1.25	4.94	1.27	5.16	1.30	5.27	1.30	5.59	1.35	5.81	1.36
13+07	46	4.46	1.98	4.72	2.01	4.99	2.04	5.12	2.06	5.51	2.10	5.78	2.13
	43	4.62	1.92	4.88	1.95	5.15	1.98	5.28	1.99	5.67	2.03	5.94	2.06
	40	4.78	1.86	5.04	1.88	5.30	1.91	5.44	1.93	5.83	1.97	6.09	2.00
	35	5.04	1.74	5.30	1.77	5.57	1.80	5.70	1.81	6.09	1.85	6.36	1.88
	32	5.20	1.69	5.47	1.71	5.73	1.75	5.86	1.76	6.25	1.81	6.52	1.83
	25	5.57	1.54	5.84	1.56	6.10	1.61	6.23	1.61	6.62	1.66	6.89	1.68
	22	5.73	1.48	6.00	1.50	6.26	1.54	6.39	1.54	6.78	1.60	7.05	1.61
16+07	46	4.62	1.98	4.89	2.01	5.16	2.04	5.30	2.06	5.70	2.10	5.98	2.13
	43	4.78	1.92	5.05	1.95	5.33	1.98	5.46	1.99	5.87	2.03	6.14	2.06
	40	4.95	1.86	5.22	1.88	5.49	1.91	5.63	1.93	6.03	1.97	6.31	2.00
	35	5.22	1.74	5.49	1.77	5.76	1.80	5.90	1.81	6.31	1.85	6.58	1.88
	32	5.39	1.69	5.66	1.71	5.93	1.75	6.07	1.76	6.47	1.81	6.75	1.83
	25	5.77	1.54	6.04	1.56	6.32	1.61	6.45	1.61	6.85	1.66	7.13	1.68
	22	5.93	1.48	6.21	1.50	6.48	1.54	6.62	1.54	7.02	1.60	7.30	1.61
18+07	46	4.93	2.24	5.22	2.27	5.51	2.30	5.66	2.32	6.09	2.36	6.38	2.40
	43	5.11	2.16	5.40	2.19	5.69	2.23	5.83	2.25	6.27	2.29	6.56	2.32
	40	5.28	2.09	5.57	2.12	5.86	2.16	6.01	2.17	6.44	2.22	6.74	2.25
	35	5.57	1.96	5.86	1.99	6.15	2.02	6.30	2.04	6.74	2.09	7.03	2.12
	32	5.75	1.90	6.04	1.93	6.33	1.97	6.48	1.98	6.91	2.04	7.21	2.06
	25	6.16	1.74	6.45	1.76	6.74	1.81	6.89	1.81	7.32	1.87	7.62	1.89
	22	6.34	1.67	6.63	1.69	6.92	1.74	7.07	1.74	7.49	1.80	7.79	1.82
22+07	46	4.93	2.24	5.22	2.27	5.51	2.30	5.66	2.32	6.09	2.36	6.38	2.40
	43	5.11	2.16	5.40	2.19	5.69	2.23	5.83	2.25	6.27	2.29	6.56	2.32
	40	5.28	2.09	5.57	2.12	5.86	2.16	6.01	2.17	6.44	2.22	6.74	2.25
	35	5.57	1.96	5.86	1.99	6.15	2.02	6.30	2.04	6.74	2.09	7.03	2.12
	32	5.75	1.90	6.04	1.93	6.33	1.97	6.48	1.98	6.91	2.04	7.21	2.06
	25	6.16	1.74	6.45	1.76	6.74	1.81	6.89	1.81	7.32	1.87	7.62	1.89
	22	6.34	1.67	6.63	1.69	6.92	1.74	7.07	1.74	7.49	1.80	7.79	1.82
24+07	46	5.32	2.54	5.63	2.58	5.95	2.61	6.11	2.64	6.58	2.69	6.89	2.73
	43	5.51	2.46	5.82	2.50	6.14	2.53	6.30	2.55	6.76	2.61	7.08	2.64
	40	5.70	2.38	6.01	2.41	6.33	2.45	6.49	2.47	6.95	2.53	7.27	2.56
	35	6.01	2.23	6.33	2.26	6.64	2.30	6.80	2.32	7.27	2.37	7.58	2.41
	32	6.21	2.17	6.52	2.19	6.84	2.24	6.99	2.25	7.46	2.32	7.78	2.34
	25	6.65	1.98	6.96	2.00	7.28	2.06	7.44	2.06	7.90	2.13	8.22	2.15
	22	6.84	1.90	7.15	1.92	7.47	1.98	7.63	1.98	8.09	2.05	8.41	2.07

TC : Total capacity[kW]

PI : Power input [kW]

Cooling(230V/50Hz)

Combination (Capacity)	Outdoor air temp. [C DB]	Indoor air temp. [C WB]											
		14		16		18		19		22		24	
		TC [kW]	PI [kW]	TC [kW]	PI [kW]	TC [kW]	PI [kW]	TC [kW]	PI [kW]	TC [kW]	PI [kW]	TC [kW]	PI [kW]
10+10	46	4.23	1.68	4.47	1.70	4.72	1.72	4.85	1.74	5.22	1.77	5.47	1.80
	43	4.38	1.62	4.63	1.65	4.87	1.67	5.00	1.68	5.37	1.72	5.62	1.74
	40	4.53	1.57	4.78	1.59	5.03	1.62	5.15	1.63	5.52	1.67	5.77	1.69
	35	4.78	1.47	5.03	1.49	5.27	1.52	5.40	1.53	5.77	1.57	6.02	1.59
	32	4.93	1.43	5.18	1.45	5.43	1.48	5.55	1.49	5.92	1.53	6.18	1.54
	25	5.28	1.30	5.53	1.32	5.78	1.36	5.91	1.36	6.27	1.40	6.53	1.42
	22	5.43	1.25	5.68	1.27	5.93	1.30	6.06	1.30	6.42	1.35	6.68	1.36
13+10	46	4.62	1.98	4.89	2.01	5.16	2.04	5.30	2.06	5.70	2.10	5.98	2.13
	43	4.78	1.92	5.05	1.95	5.33	1.98	5.46	1.99	5.87	2.03	6.14	2.06
	40	4.95	1.86	5.22	1.88	5.49	1.91	5.63	1.93	6.03	1.97	6.31	2.00
	35	5.22	1.74	5.49	1.77	5.76	1.80	5.90	1.81	6.31	1.85	6.58	1.88
	32	5.39	1.69	5.66	1.71	5.93	1.75	6.07	1.76	6.47	1.81	6.75	1.83
	25	5.77	1.54	6.04	1.56	6.32	1.61	6.45	1.61	6.85	1.66	7.13	1.68
	22	5.93	1.48	6.21	1.50	6.48	1.54	6.62	1.54	7.02	1.60	7.30	1.61
16+10	46	4.93	2.24	5.22	2.27	5.51	2.30	5.66	2.32	6.09	2.36	6.38	2.40
	43	5.11	2.16	5.40	2.19	5.69	2.23	5.83	2.25	6.27	2.29	6.56	2.32
	40	5.28	2.09	5.57	2.12	5.86	2.16	6.01	2.17	6.44	2.22	6.74	2.25
	35	5.57	1.96	5.86	1.99	6.15	2.02	6.30	2.04	6.74	2.09	7.03	2.12
	32	5.75	1.90	6.04	1.93	6.33	1.97	6.48	1.98	6.91	2.04	7.21	2.06
	25	6.16	1.74	6.45	1.76	6.74	1.81	6.89	1.81	7.32	1.87	7.62	1.89
	22	6.34	1.67	6.63	1.69	6.92	1.74	7.07	1.74	7.49	1.80	7.79	1.82
18+10	46	4.93	2.24	5.22	2.27	5.51	2.30	5.66	2.32	6.09	2.36	6.38	2.40
	43	5.11	2.16	5.40	2.19	5.69	2.23	5.83	2.25	6.27	2.29	6.56	2.32
	40	5.28	2.09	5.57	2.12	5.86	2.16	6.01	2.17	6.44	2.22	6.74	2.25
	35	5.57	1.96	5.86	1.99	6.15	2.02	6.30	2.04	6.74	2.09	7.03	2.12
	32	5.75	1.90	6.04	1.93	6.33	1.97	6.48	1.98	6.91	2.04	7.21	2.06
	25	6.16	1.74	6.45	1.76	6.74	1.81	6.89	1.81	7.32	1.87	7.62	1.89
	22	6.34	1.67	6.63	1.69	6.92	1.74	7.07	1.74	7.49	1.80	7.79	1.82
22+10	46	5.32	2.54	5.63	2.58	5.95	2.61	6.11	2.64	6.58	2.69	6.89	2.73
	43	5.51	2.46	5.82	2.50	6.14	2.53	6.30	2.55	6.76	2.61	7.08	2.64
	40	5.70	2.38	6.01	2.41	6.33	2.45	6.49	2.47	6.95	2.53	7.27	2.56
	35	6.01	2.23	6.33	2.26	6.64	2.30	6.80	2.32	7.27	2.37	7.58	2.41
	32	6.21	2.17	6.52	2.19	6.84	2.24	6.99	2.25	7.46	2.32	7.78	2.34
	25	6.65	1.98	6.96	2.00	7.28	2.06	7.44	2.06	7.90	2.13	8.22	2.15
	22	6.84	1.90	7.15	1.92	7.47	1.98	7.63	1.98	8.09	2.05	8.41	2.07
24+10	46	5.63	2.79	5.97	2.83	6.30	2.87	6.47	2.90	6.96	2.95	7.30	3.00
	43	5.83	2.71	6.17	2.74	6.50	2.78	6.67	2.81	7.16	2.86	7.50	2.91
	40	6.04	2.62	6.37	2.65	6.70	2.70	6.87	2.72	7.36	2.78	7.70	2.82
	35	6.37	2.45	6.70	2.49	7.03	2.53	7.20	2.55	7.70	2.61	8.03	2.65
	32	6.57	2.38	6.90	2.41	7.24	2.47	7.40	2.48	7.90	2.54	8.23	2.57
	25	7.04	2.17	7.37	2.20	7.71	2.26	7.87	2.26	8.36	2.34	8.70	2.36
	22	7.24	2.08	7.58	2.11	7.91	2.17	8.07	2.17	8.56	2.25	8.91	2.27
13+13	46	4.93	2.24	5.22	2.27	5.51	2.30	5.66	2.32	6.09	2.36	6.38	2.40
	43	5.11	2.16	5.40	2.19	5.69	2.23	5.83	2.25	6.27	2.29	6.56	2.32
	40	5.28	2.09	5.57	2.12	5.86	2.16	6.01	2.17	6.44	2.22	6.74	2.25
	35	5.57	1.96	5.86	1.99	6.15	2.02	6.30	2.04	6.74	2.09	7.03	2.12
	32	5.75	1.90	6.04	1.93	6.33	1.97	6.48	1.98	6.91	2.04	7.21	2.06
	25	6.16	1.74	6.45	1.76	6.74	1.81	6.89	1.81	7.32	1.87	7.62	1.89
	22	6.34	1.67	6.63	1.69	6.92	1.74	7.07	1.74	7.49	1.80	7.79	1.82

TC : Total capacity[kW]

PI : Power input [kW]

Cooling(230V/50Hz)

Combination (Capacity)	Outdoor air temp. [C DB]	Indoor air temp. [C WB]											
		14		16		18		19		22		24	
		TC [kW]	PI [kW]	TC [kW]	PI [kW]	TC [kW]	PI [kW]	TC [kW]	PI [kW]	TC [kW]	PI [kW]	TC [kW]	PI [kW]
16+13	46	5.32	2.54	5.63	2.58	5.95	2.61	6.11	2.64	6.58	2.69	6.89	2.73
	43	5.51	2.46	5.82	2.50	6.14	2.53	6.30	2.55	6.76	2.61	7.08	2.64
	40	5.70	2.38	6.01	2.41	6.33	2.45	6.49	2.47	6.95	2.53	7.27	2.56
	35	6.01	2.23	6.33	2.26	6.64	2.30	6.80	2.32	7.27	2.37	7.58	2.41
	32	6.21	2.17	6.52	2.19	6.84	2.24	6.99	2.25	7.46	2.32	7.78	2.34
	25	6.65	1.98	6.96	2.00	7.28	2.06	7.44	2.06	7.90	2.13	8.22	2.15
	22	6.84	1.90	7.15	1.92	7.47	1.98	7.63	1.98	8.09	2.05	8.41	2.07
18+13	46	5.32	2.54	5.63	2.58	5.95	2.61	6.11	2.64	6.58	2.69	6.89	2.73
	43	5.51	2.46	5.82	2.50	6.14	2.53	6.30	2.55	6.76	2.61	7.08	2.64
	40	5.70	2.38	6.01	2.41	6.33	2.45	6.49	2.47	6.95	2.53	7.27	2.56
	35	6.01	2.23	6.33	2.26	6.64	2.30	6.80	2.32	7.27	2.37	7.58	2.41
	32	6.21	2.17	6.52	2.19	6.84	2.24	6.99	2.25	7.46	2.32	7.78	2.34
	25	6.65	1.98	6.96	2.00	7.28	2.06	7.44	2.06	7.90	2.13	8.22	2.15
	22	6.84	1.90	7.15	1.92	7.47	1.98	7.63	1.98	8.09	2.05	8.41	2.07
22+13	46	5.63	2.79	5.97	2.83	6.30	2.87	6.47	2.90	6.96	2.95	7.30	3.00
	43	5.83	2.71	6.17	2.74	6.50	2.78	6.67	2.81	7.16	2.86	7.50	2.91
	40	6.04	2.62	6.37	2.65	6.70	2.70	6.87	2.72	7.36	2.78	7.70	2.82
	35	6.37	2.45	6.70	2.49	7.03	2.53	7.20	2.55	7.70	2.61	8.03	2.65
	32	6.57	2.38	6.90	2.41	7.24	2.47	7.40	2.48	7.90	2.54	8.23	2.57
	25	7.04	2.17	7.37	2.20	7.71	2.26	7.87	2.26	8.36	2.34	8.70	2.36
	22	7.24	2.08	7.58	2.11	7.91	2.17	8.07	2.17	8.56	2.25	8.91	2.27
24+13	46	5.63	2.79	5.97	2.83	6.30	2.87	6.47	2.90	6.96	2.95	7.30	3.00
	43	5.83	2.71	6.17	2.74	6.50	2.78	6.67	2.81	7.16	2.86	7.50	2.91
	40	6.04	2.62	6.37	2.65	6.70	2.70	6.87	2.72	7.36	2.78	7.70	2.82
	35	6.37	2.45	6.70	2.49	7.03	2.53	7.20	2.55	7.70	2.61	8.03	2.65
	32	6.57	2.38	6.90	2.41	7.24	2.47	7.40	2.48	7.90	2.54	8.23	2.57
	25	7.04	2.17	7.37	2.20	7.71	2.26	7.87	2.26	8.36	2.34	8.70	2.36
	22	7.24	2.08	7.58	2.11	7.91	2.17	8.07	2.17	8.56	2.25	8.91	2.27
16+16	46	5.63	2.79	5.97	2.83	6.30	2.87	6.47	2.90	6.96	2.95	7.30	3.00
	43	5.83	2.71	6.17	2.74	6.50	2.78	6.67	2.81	7.16	2.86	7.50	2.91
	40	6.04	2.62	6.37	2.65	6.70	2.70	6.87	2.72	7.36	2.78	7.70	2.82
	35	6.37	2.45	6.70	2.49	7.03	2.53	7.20	2.55	7.70	2.61	8.03	2.65
	32	6.57	2.38	6.90	2.41	7.24	2.47	7.40	2.48	7.90	2.54	8.23	2.57
	25	7.04	2.17	7.37	2.20	7.71	2.26	7.87	2.26	8.36	2.34	8.70	2.36
	22	7.24	2.08	7.58	2.11	7.91	2.17	8.07	2.17	8.56	2.25	8.91	2.27
18+16	46	5.63	2.79	5.97	2.83	6.30	2.87	6.47	2.90	6.96	2.95	7.30	3.00
	43	5.83	2.71	6.17	2.74	6.50	2.78	6.67	2.81	7.16	2.86	7.50	2.91
	40	6.04	2.62	6.37	2.65	6.70	2.70	6.87	2.72	7.36	2.78	7.70	2.82
	35	6.37	2.45	6.70	2.49	7.03	2.53	7.20	2.55	7.70	2.61	8.03	2.65
	32	6.57	2.38	6.90	2.41	7.24	2.47	7.40	2.48	7.90	2.54	8.23	2.57
	25	7.04	2.17	7.37	2.20	7.71	2.26	7.87	2.26	8.36	2.34	8.70	2.36
	22	7.24	2.08	7.58	2.11	7.91	2.17	8.07	2.17	8.56	2.25	8.91	2.27
22+16	46	5.71	2.79	6.05	2.83	6.39	2.87	6.56	2.90	7.06	2.95	7.40	3.00
	43	5.92	2.71	6.25	2.74	6.59	2.78	6.76	2.81	7.26	2.86	7.60	2.91
	40	6.12	2.62	6.46	2.65	6.79	2.70	6.96	2.72	7.46	2.78	7.81	2.82
	35	6.46	2.45	6.79	2.49	7.13	2.53	7.30	2.55	7.80	2.61	8.14	2.65
	32	6.66	2.38	7.00	2.41	7.34	2.47	7.51	2.48	8.01	2.54	8.35	2.57
	25	7.14	2.17	7.48	2.20	7.81	2.26	7.98	2.26	8.48	2.34	8.83	2.36
	22	7.34	2.08	7.68	2.11	8.02	2.17	8.19	2.17	8.68	2.25	9.03	2.27

TC : Total capacity[kW]

PI : Power input [kW]

Cooling(230V/50Hz)

Combination (Capacity)	Outdoor air temp. [C DB]	Indoor air temp. [C WB]											
		14		16		18		19		22		24	
		TC [kW]	PI [kW]	TC [kW]	PI [kW]	TC [kW]	PI [kW]	TC [kW]	PI [kW]	TC [kW]	PI [kW]	TC [kW]	PI [kW]
24+16	46	5.71	2.79	6.05	2.83	6.39	2.87	6.56	2.90	7.06	2.95	7.40	3.00
	43	5.92	2.71	6.25	2.74	6.59	2.78	6.76	2.81	7.26	2.86	7.60	2.91
	40	6.12	2.62	6.46	2.65	6.79	2.70	6.96	2.72	7.46	2.78	7.81	2.82
	35	6.46	2.45	6.79	2.49	7.13	2.53	7.30	2.55	7.80	2.61	8.14	2.65
	32	6.66	2.38	7.00	2.41	7.34	2.47	7.51	2.48	8.01	2.54	8.35	2.57
	25	7.14	2.17	7.48	2.20	7.81	2.26	7.98	2.26	8.48	2.34	8.83	2.36
	22	7.34	2.08	7.68	2.11	8.02	2.17	8.19	2.17	8.68	2.25	9.03	2.27
18+18	46	5.63	2.79	5.97	2.83	6.30	2.87	6.47	2.90	6.96	2.95	7.30	3.00
	43	5.83	2.71	6.17	2.74	6.50	2.78	6.67	2.81	7.16	2.86	7.50	2.91
	40	6.04	2.62	6.37	2.65	6.70	2.70	6.87	2.72	7.36	2.78	7.70	2.82
	35	6.37	2.45	6.70	2.49	7.03	2.53	7.20	2.55	7.70	2.61	8.03	2.65
	32	6.57	2.38	6.90	2.41	7.24	2.47	7.40	2.48	7.90	2.54	8.23	2.57
	25	7.04	2.17	7.37	2.20	7.71	2.26	7.87	2.26	8.36	2.34	8.70	2.36
	22	7.24	2.08	7.58	2.11	7.91	2.17	8.07	2.17	8.56	2.25	8.91	2.27
22+18	46	5.79	2.79	6.13	2.83	6.47	2.87	6.65	2.90	7.16	2.95	7.50	3.00
	43	6.00	2.71	6.34	2.74	6.68	2.78	6.85	2.81	7.36	2.86	7.71	2.91
	40	6.20	2.62	6.54	2.65	6.89	2.70	7.06	2.72	7.57	2.78	7.91	2.82
	35	6.54	2.45	6.89	2.49	7.23	2.53	7.40	2.55	7.91	2.61	8.25	2.65
	32	6.75	2.38	7.10	2.41	7.44	2.47	7.61	2.48	8.12	2.54	8.46	2.57
	25	7.24	2.17	7.58	2.20	7.92	2.26	8.09	2.26	8.60	2.34	8.95	2.36
	22	7.44	2.08	7.79	2.11	8.13	2.17	8.30	2.17	8.80	2.25	9.15	2.27
24+18	46	5.79	2.79	6.13	2.83	6.47	2.87	6.65	2.90	7.16	2.95	7.50	3.00
	43	6.00	2.71	6.34	2.74	6.68	2.78	6.85	2.81	7.36	2.86	7.71	2.91
	40	6.20	2.62	6.54	2.65	6.89	2.70	7.06	2.72	7.57	2.78	7.91	2.82
	35	6.54	2.45	6.89	2.49	7.23	2.53	7.40	2.55	7.91	2.61	8.25	2.65
	32	6.75	2.38	7.10	2.41	7.44	2.47	7.61	2.48	8.12	2.54	8.46	2.57
	25	7.24	2.17	7.58	2.20	7.92	2.26	8.09	2.26	8.60	2.34	8.95	2.36
	22	7.44	2.08	7.79	2.11	8.13	2.17	8.30	2.17	8.80	2.25	9.15	2.27

TC : Total capacity[kW]

PI : Power input [kW]

Cooling(230V/50Hz)

Combination (Capacity)	Outdoor air temp. [C DB]	Indoor air temp. [C WB]											
		14		16		18		19		22		24	
		TC [kW]	PI [kW]	TC [kW]	PI [kW]	TC [kW]	PI [kW]	TC [kW]	PI [kW]	TC [kW]	PI [kW]	TC [kW]	PI [kW]
07+07+07	46	4.69	2.63	4.97	2.67	5.25	2.70	5.39	2.73	5.80	2.78	6.08	2.82
	43	4.86	2.55	5.14	2.58	5.42	2.62	5.56	2.64	5.97	2.70	6.25	2.74
	40	5.03	2.46	5.31	2.50	5.58	2.54	5.72	2.56	6.14	2.61	6.42	2.65
	35	5.31	2.31	5.58	2.34	5.86	2.38	6.00	2.40	6.41	2.46	6.69	2.49
	32	5.48	2.24	5.75	2.27	6.03	2.32	6.17	2.33	6.58	2.40	6.86	2.42
	25	5.87	2.05	6.15	2.07	6.42	2.13	6.56	2.13	6.97	2.20	7.25	2.22
	22	6.04	1.96	6.31	1.98	6.59	2.05	6.73	2.05	7.14	2.12	7.42	2.14
10+07+07	46	5.24	2.63	5.55	2.67	5.86	2.70	6.02	2.73	6.48	2.78	6.79	2.82
	43	5.43	2.55	5.74	2.58	6.05	2.62	6.20	2.64	6.66	2.70	6.98	2.74
	40	5.62	2.46	5.93	2.50	6.24	2.54	6.39	2.56	6.85	2.61	7.16	2.65
	35	5.93	2.31	6.23	2.34	6.54	2.38	6.70	2.40	7.16	2.46	7.47	2.49
	32	6.12	2.24	6.43	2.27	6.73	2.32	6.89	2.33	7.35	2.40	7.66	2.42
	25	6.55	2.05	6.86	2.07	7.17	2.13	7.33	2.13	7.78	2.20	8.10	2.22
	22	6.74	1.96	7.05	1.98	7.36	2.05	7.51	2.05	7.97	2.12	8.29	2.14
13+07+07	46	5.95	2.64	6.30	2.68	6.65	2.71	6.82	2.74	7.35	2.79	7.70	2.83
	43	6.16	2.56	6.51	2.59	6.86	2.63	7.04	2.65	7.56	2.71	7.91	2.75
	40	6.37	2.47	6.72	2.51	7.07	2.55	7.25	2.57	7.77	2.62	8.13	2.66
	35	6.72	2.31	7.07	2.35	7.42	2.39	7.60	2.41	8.13	2.47	8.48	2.50
	32	6.94	2.25	7.29	2.28	7.64	2.33	7.82	2.34	8.34	2.41	8.69	2.43
	25	7.43	2.05	7.78	2.08	8.14	2.14	8.31	2.14	8.83	2.21	9.19	2.23
	22	7.64	1.97	8.00	1.99	8.35	2.06	8.52	2.05	9.04	2.13	9.40	2.15
16+07+07	46	6.02	2.64	6.38	2.68	6.74	2.71	6.91	2.74	7.45	2.79	7.80	2.83
	43	6.24	2.56	6.60	2.59	6.95	2.63	7.13	2.65	7.66	2.71	8.02	2.75
	40	6.45	2.47	6.81	2.51	7.17	2.55	7.34	2.57	7.87	2.62	8.23	2.66
	35	6.81	2.31	7.17	2.35	7.52	2.39	7.70	2.41	8.23	2.47	8.59	2.50
	32	7.03	2.25	7.38	2.28	7.74	2.33	7.92	2.34	8.45	2.41	8.81	2.43
	25	7.53	2.05	7.89	2.08	8.24	2.14	8.42	2.14	8.95	2.21	9.31	2.23
	22	7.75	1.97	8.10	1.99	8.46	2.06	8.64	2.05	9.16	2.13	9.52	2.15
18+07+07	46	6.02	2.64	6.38	2.68	6.74	2.71	6.91	2.74	7.45	2.79	7.80	2.83
	43	6.24	2.56	6.60	2.59	6.95	2.63	7.13	2.65	7.66	2.71	8.02	2.75
	40	6.45	2.47	6.81	2.51	7.17	2.55	7.34	2.57	7.87	2.62	8.23	2.66
	35	6.81	2.31	7.17	2.35	7.52	2.39	7.70	2.41	8.23	2.47	8.59	2.50
	32	7.03	2.25	7.38	2.28	7.74	2.33	7.92	2.34	8.45	2.41	8.81	2.43
	25	7.53	2.05	7.89	2.08	8.24	2.14	8.42	2.14	8.95	2.21	9.31	2.23
	22	7.75	1.97	8.10	1.99	8.46	2.06	8.64	2.05	9.16	2.13	9.52	2.15
22+07+07	46	6.10	2.66	6.46	2.70	6.82	2.74	7.00	2.76	7.54	2.81	7.90	2.86
	43	6.32	2.58	6.68	2.61	7.04	2.65	7.22	2.68	7.76	2.73	8.12	2.77
	40	6.54	2.49	6.90	2.53	7.26	2.57	7.44	2.59	7.98	2.65	8.34	2.68
	35	6.90	2.33	7.26	2.37	7.62	2.41	7.80	2.43	8.34	2.49	8.70	2.52
	32	7.12	2.27	7.48	2.30	7.84	2.35	8.02	2.36	8.56	2.43	8.92	2.45
	25	7.63	2.07	7.99	2.10	8.35	2.16	8.53	2.16	9.06	2.23	9.43	2.25
	22	7.85	1.99	8.21	2.01	8.57	2.07	8.75	2.07	9.28	2.15	9.65	2.17
24+07+07	46	6.10	2.66	6.46	2.70	6.82	2.74	7.00	2.76	7.54	2.81	7.90	2.86
	43	6.32	2.58	6.68	2.61	7.04	2.65	7.22	2.68	7.76	2.73	8.12	2.77
	40	6.54	2.49	6.90	2.53	7.26	2.57	7.44	2.59	7.98	2.65	8.34	2.68
	35	6.90	2.33	7.26	2.37	7.62	2.41	7.80	2.43	8.34	2.49	8.70	2.52
	32	7.12	2.27	7.48	2.30	7.84	2.35	8.02	2.36	8.56	2.43	8.92	2.45
	25	7.63	2.07	7.99	2.10	8.35	2.16	8.53	2.16	9.06	2.23	9.43	2.25
	22	7.85	1.99	8.21	2.01	8.57	2.07	8.75	2.07	9.28	2.15	9.65	2.17

TC : Total capacity[kW]

PI : Power input [kW]

Combination (Capacity)	Outdoor air temp. [C DB]	Indoor air temp. [C WB]											
		14		16		18		19		22		24	
		TC [kW]	PI [kW]	TC [kW]	PI [kW]	TC [kW]	PI [kW]	TC [kW]	PI [kW]	TC [kW]	PI [kW]	TC [kW]	PI [kW]
10+10+07	46	5.79	2.63	6.13	2.67	6.47	2.70	6.65	2.73	7.16	2.78	7.50	2.82
	43	6.00	2.55	6.34	2.58	6.68	2.62	6.85	2.64	7.36	2.70	7.71	2.74
	40	6.20	2.46	6.54	2.50	6.89	2.54	7.06	2.56	7.57	2.61	7.91	2.65
	35	6.54	2.31	6.89	2.34	7.23	2.38	7.40	2.40	7.91	2.46	8.25	2.49
	32	6.75	2.24	7.10	2.27	7.44	2.32	7.61	2.33	8.12	2.40	8.46	2.42
	25	7.24	2.05	7.58	2.07	7.92	2.13	8.09	2.13	8.60	2.20	8.95	2.22
	22	7.44	1.96	7.79	1.98	8.13	2.05	8.30	2.05	8.80	2.12	9.15	2.14
13+10+07	46	6.02	2.64	6.38	2.68	6.74	2.71	6.91	2.74	7.45	2.79	7.80	2.83
	43	6.24	2.56	6.60	2.59	6.95	2.63	7.13	2.65	7.66	2.71	8.02	2.75
	40	6.45	2.47	6.81	2.51	7.17	2.55	7.34	2.57	7.87	2.62	8.23	2.66
	35	6.81	2.31	7.17	2.35	7.52	2.39	7.70	2.41	8.23	2.47	8.59	2.50
	32	7.03	2.25	7.38	2.28	7.74	2.33	7.92	2.34	8.45	2.41	8.81	2.43
	25	7.53	2.05	7.89	2.08	8.24	2.14	8.42	2.14	8.95	2.21	9.31	2.23
	22	7.75	1.97	8.10	1.99	8.46	2.06	8.64	2.05	9.16	2.13	9.52	2.15
16+10+07	46	6.02	2.64	6.38	2.68	6.74	2.71	6.91	2.74	7.45	2.79	7.80	2.83
	43	6.24	2.56	6.60	2.59	6.95	2.63	7.13	2.65	7.66	2.71	8.02	2.75
	40	6.45	2.47	6.81	2.51	7.17	2.55	7.34	2.57	7.87	2.62	8.23	2.66
	35	6.81	2.31	7.17	2.35	7.52	2.39	7.70	2.41	8.23	2.47	8.59	2.50
	32	7.03	2.25	7.38	2.28	7.74	2.33	7.92	2.34	8.45	2.41	8.81	2.43
	25	7.53	2.05	7.89	2.08	8.24	2.14	8.42	2.14	8.95	2.21	9.31	2.23
	22	7.75	1.97	8.10	1.99	8.46	2.06	8.64	2.05	9.16	2.13	9.52	2.15
18+10+07	46	6.02	2.64	6.38	2.68	6.74	2.71	6.91	2.74	7.45	2.79	7.80	2.83
	43	6.24	2.56	6.60	2.59	6.95	2.63	7.13	2.65	7.66	2.71	8.02	2.75
	40	6.45	2.47	6.81	2.51	7.17	2.55	7.34	2.57	7.87	2.62	8.23	2.66
	35	6.81	2.31	7.17	2.35	7.52	2.39	7.70	2.41	8.23	2.47	8.59	2.50
	32	7.03	2.25	7.38	2.28	7.74	2.33	7.92	2.34	8.45	2.41	8.81	2.43
	25	7.53	2.05	7.89	2.08	8.24	2.14	8.42	2.14	8.95	2.21	9.31	2.23
	22	7.75	1.97	8.10	1.99	8.46	2.06	8.64	2.05	9.16	2.13	9.52	2.15
22+10+07	46	6.10	2.66	6.46	2.70	6.82	2.74	7.00	2.76	7.54	2.81	7.90	2.86
	43	6.32	2.58	6.68	2.61	7.04	2.65	7.22	2.68	7.76	2.73	8.12	2.77
	40	6.54	2.49	6.90	2.53	7.26	2.57	7.44	2.59	7.98	2.65	8.34	2.68
	35	6.90	2.33	7.26	2.37	7.62	2.41	7.80	2.43	8.34	2.49	8.70	2.52
	32	7.12	2.27	7.48	2.30	7.84	2.35	8.02	2.36	8.56	2.43	8.92	2.45
	25	7.63	2.07	7.99	2.10	8.35	2.16	8.53	2.16	9.06	2.23	9.43	2.25
	22	7.85	1.99	8.21	2.01	8.57	2.07	8.75	2.07	9.28	2.15	9.65	2.17
24+10+07	46	6.10	2.66	6.46	2.70	6.82	2.74	7.00	2.76	7.54	2.81	7.90	2.86
	43	6.32	2.58	6.68	2.61	7.04	2.65	7.22	2.68	7.76	2.73	8.12	2.77
	40	6.54	2.49	6.90	2.53	7.26	2.57	7.44	2.59	7.98	2.65	8.34	2.68
	35	6.90	2.33	7.26	2.37	7.62	2.41	7.80	2.43	8.34	2.49	8.70	2.52
	32	7.12	2.27	7.48	2.30	7.84	2.35	8.02	2.36	8.56	2.43	8.92	2.45
	25	7.63	2.07	7.99	2.10	8.35	2.16	8.53	2.16	9.06	2.23	9.43	2.25
	22	7.85	1.99	8.21	2.01	8.57	2.07	8.75	2.07	9.28	2.15	9.65	2.17
13+13+07	46	6.02	2.64	6.38	2.68	6.74	2.71	6.91	2.74	7.45	2.79	7.80	2.83
	43	6.24	2.56	6.60	2.59	6.95	2.63	7.13	2.65	7.66	2.71	8.02	2.75
	40	6.45	2.47	6.81	2.51	7.17	2.55	7.34	2.57	7.87	2.62	8.23	2.66
	35	6.81	2.31	7.17	2.35	7.52	2.39	7.70	2.41	8.23	2.47	8.59	2.50
	32	7.03	2.25	7.38	2.28	7.74	2.33	7.92	2.34	8.45	2.41	8.81	2.43
	25	7.53	2.05	7.89	2.08	8.24	2.14	8.42	2.14	8.95	2.21	9.31	2.23
	22	7.75	1.97	8.10	1.99	8.46	2.06	8.64	2.05	9.16	2.13	9.52	2.15

TC : Total capacity[kW]  
PI : Power input [kW]



Cooling(230V/50Hz)

Combination (Capacity)	Outdoor air temp. [C DB]	Indoor air temp. [C WB]											
		14		16		18		19		22		24	
		TC [kW]	PI [kW]	TC [kW]	PI [kW]	TC [kW]	PI [kW]	TC [kW]	PI [kW]	TC [kW]	PI [kW]	TC [kW]	PI [kW]
16+13+07	46	6.10	2.66	6.46	2.70	6.82	2.74	7.00	2.76	7.54	2.81	7.90	2.86
	43	6.32	2.58	6.68	2.61	7.04	2.65	7.22	2.68	7.76	2.73	8.12	2.77
	40	6.54	2.49	6.90	2.53	7.26	2.57	7.44	2.59	7.98	2.65	8.34	2.68
	35	6.90	2.33	7.26	2.37	7.62	2.41	7.80	2.43	8.34	2.49	8.70	2.52
	32	7.12	2.27	7.48	2.30	7.84	2.35	8.02	2.36	8.56	2.43	8.92	2.45
	25	7.63	2.07	7.99	2.10	8.35	2.16	8.53	2.16	9.06	2.23	9.43	2.25
	22	7.85	1.99	8.21	2.01	8.57	2.07	8.75	2.07	9.28	2.15	9.65	2.17
18+13+07	46	6.10	2.66	6.46	2.70	6.82	2.74	7.00	2.76	7.54	2.81	7.90	2.86
	43	6.32	2.58	6.68	2.61	7.04	2.65	7.22	2.68	7.76	2.73	8.12	2.77
	40	6.54	2.49	6.90	2.53	7.26	2.57	7.44	2.59	7.98	2.65	8.34	2.68
	35	6.90	2.33	7.26	2.37	7.62	2.41	7.80	2.43	8.34	2.49	8.70	2.52
	32	7.12	2.27	7.48	2.30	7.84	2.35	8.02	2.36	8.56	2.43	8.92	2.45
	25	7.63	2.07	7.99	2.10	8.35	2.16	8.53	2.16	9.06	2.23	9.43	2.25
	22	7.85	1.99	8.21	2.01	8.57	2.07	8.75	2.07	9.28	2.15	9.65	2.17
22+13+07	46	6.10	2.66	6.46	2.70	6.82	2.74	7.00	2.76	7.54	2.81	7.90	2.86
	43	6.32	2.58	6.68	2.61	7.04	2.65	7.22	2.68	7.76	2.73	8.12	2.77
	40	6.54	2.49	6.90	2.53	7.26	2.57	7.44	2.59	7.98	2.65	8.34	2.68
	35	6.90	2.33	7.26	2.37	7.62	2.41	7.80	2.43	8.34	2.49	8.70	2.52
	32	7.12	2.27	7.48	2.30	7.84	2.35	8.02	2.36	8.56	2.43	8.92	2.45
	25	7.63	2.07	7.99	2.10	8.35	2.16	8.53	2.16	9.06	2.23	9.43	2.25
	22	7.85	1.99	8.21	2.01	8.57	2.07	8.75	2.07	9.28	2.15	9.65	2.17
24+13+07	46	6.18	2.67	6.55	2.71	6.91	2.75	7.09	2.77	7.64	2.82	8.01	2.87
	43	6.40	2.59	6.77	2.62	7.13	2.66	7.31	2.69	7.86	2.74	8.23	2.78
	40	6.62	2.50	6.99	2.54	7.35	2.58	7.54	2.60	8.08	2.66	8.45	2.69
	35	6.99	2.34	7.35	2.38	7.72	2.42	7.90	2.44	8.45	2.50	8.81	2.53
	32	7.21	2.28	7.58	2.31	7.94	2.36	8.12	2.37	8.66	2.44	9.04	2.46
	25	7.73	2.08	8.09	2.10	8.46	2.16	8.64	2.17	9.18	2.24	9.55	2.26
	22	7.95	1.99	8.31	2.02	8.68	2.08	8.86	2.08	9.40	2.16	9.77	2.18
16+16+07	46	6.10	2.66	6.46	2.70	6.82	2.74	7.00	2.76	7.54	2.81	7.90	2.86
	43	6.32	2.58	6.68	2.61	7.04	2.65	7.22	2.68	7.76	2.73	8.12	2.77
	40	6.54	2.49	6.90	2.53	7.26	2.57	7.44	2.59	7.98	2.65	8.34	2.68
	35	6.90	2.33	7.26	2.37	7.62	2.41	7.80	2.43	8.34	2.49	8.70	2.52
	32	7.12	2.27	7.48	2.30	7.84	2.35	8.02	2.36	8.56	2.43	8.92	2.45
	25	7.63	2.07	7.99	2.10	8.35	2.16	8.53	2.16	9.06	2.23	9.43	2.25
	22	7.85	1.99	8.21	2.01	8.57	2.07	8.75	2.07	9.28	2.15	9.65	2.17
18+16+07	46	6.10	2.66	6.46	2.70	6.82	2.74	7.00	2.76	7.54	2.81	7.90	2.86
	43	6.32	2.58	6.68	2.61	7.04	2.65	7.22	2.68	7.76	2.73	8.12	2.77
	40	6.54	2.49	6.90	2.53	7.26	2.57	7.44	2.59	7.98	2.65	8.34	2.68
	35	6.90	2.33	7.26	2.37	7.62	2.41	7.80	2.43	8.34	2.49	8.70	2.52
	32	7.12	2.27	7.48	2.30	7.84	2.35	8.02	2.36	8.56	2.43	8.92	2.45
	25	7.63	2.07	7.99	2.10	8.35	2.16	8.53	2.16	9.06	2.23	9.43	2.25
	22	7.85	1.99	8.21	2.01	8.57	2.07	8.75	2.07	9.28	2.15	9.65	2.17
22+16+07	46	6.18	2.67	6.55	2.71	6.91	2.75	7.09	2.77	7.64	2.82	8.01	2.87
	43	6.40	2.59	6.77	2.62	7.13	2.66	7.31	2.69	7.86	2.74	8.23	2.78
	40	6.62	2.50	6.99	2.54	7.35	2.58	7.54	2.60	8.08	2.66	8.45	2.69
	35	6.99	2.34	7.35	2.38	7.72	2.42	7.90	2.44	8.45	2.50	8.81	2.53
	32	7.21	2.28	7.58	2.31	7.94	2.36	8.12	2.37	8.66	2.44	9.04	2.46
	25	7.73	2.08	8.09	2.10	8.46	2.16	8.64	2.17	9.18	2.24	9.55	2.26
	22	7.95	1.99	8.31	2.02	8.68	2.08	8.86	2.08	9.40	2.16	9.77	2.18

TC : Total capacity[kW]

PI : Power input [kW]

Cooling(230V/50Hz)

Combination (Capacity)	Outdoor air temp. [C DB]	Indoor air temp. [C WB]											
		14		16		18		19		22		24	
		TC [kW]	PI [kW]	TC [kW]	PI [kW]	TC [kW]	PI [kW]	TC [kW]	PI [kW]	TC [kW]	PI [kW]	TC [kW]	PI [kW]
24+16+07	46	6.18	2.67	6.55	2.71	6.91	2.75	7.09	2.77	7.64	2.82	8.01	2.87
	43	6.40	2.59	6.77	2.62	7.13	2.66	7.31	2.69	7.86	2.74	8.23	2.78
	40	6.62	2.50	6.99	2.54	7.35	2.58	7.54	2.60	8.08	2.66	8.45	2.69
	35	6.99	2.34	7.35	2.38	7.72	2.42	7.90	2.44	8.45	2.50	8.81	2.53
	32	7.21	2.28	7.58	2.31	7.94	2.36	8.12	2.37	8.66	2.44	9.04	2.46
	25	7.73	2.08	8.09	2.10	8.46	2.16	8.64	2.17	9.18	2.24	9.55	2.26
	22	7.95	1.99	8.31	2.02	8.68	2.08	8.86	2.08	9.40	2.16	9.77	2.18
10+10+10	46	5.95	2.63	6.30	2.67	6.65	2.70	6.82	2.73	7.35	2.78	7.70	2.82
	43	6.16	2.55	6.51	2.58	6.86	2.62	7.04	2.64	7.56	2.70	7.91	2.74
	40	6.37	2.46	6.72	2.50	7.07	2.54	7.25	2.56	7.77	2.61	8.13	2.65
	35	6.72	2.31	7.07	2.34	7.42	2.38	7.60	2.40	8.13	2.46	8.48	2.49
	32	6.94	2.24	7.29	2.27	7.64	2.32	7.82	2.33	8.34	2.40	8.69	2.42
	25	7.43	2.05	7.78	2.07	8.14	2.13	8.31	2.13	8.83	2.20	9.19	2.22
	22	7.64	1.96	8.00	1.98	8.35	2.05	8.52	2.05	9.04	2.12	9.40	2.14
13+10+10	46	6.02	2.64	6.38	2.68	6.74	2.71	6.91	2.74	7.45	2.79	7.80	2.83
	43	6.24	2.56	6.60	2.59	6.95	2.63	7.13	2.65	7.66	2.71	8.02	2.75
	40	6.45	2.47	6.81	2.51	7.17	2.55	7.34	2.57	7.87	2.62	8.23	2.66
	35	6.81	2.31	7.17	2.35	7.52	2.39	7.70	2.41	8.23	2.47	8.59	2.50
	32	7.03	2.25	7.38	2.28	7.74	2.33	7.92	2.34	8.45	2.41	8.81	2.43
	25	7.53	2.05	7.89	2.08	8.24	2.14	8.42	2.14	8.95	2.21	9.31	2.23
	22	7.75	1.97	8.10	1.99	8.46	2.06	8.64	2.05	9.16	2.13	9.52	2.15
16+10+10	46	6.02	2.64	6.38	2.68	6.74	2.71	6.91	2.74	7.45	2.79	7.80	2.83
	43	6.24	2.56	6.60	2.59	6.95	2.63	7.13	2.65	7.66	2.71	8.02	2.75
	40	6.45	2.47	6.81	2.51	7.17	2.55	7.34	2.57	7.87	2.62	8.23	2.66
	35	6.81	2.31	7.17	2.35	7.52	2.39	7.70	2.41	8.23	2.47	8.59	2.50
	32	7.03	2.25	7.38	2.28	7.74	2.33	7.92	2.34	8.45	2.41	8.81	2.43
	25	7.53	2.05	7.89	2.08	8.24	2.14	8.42	2.14	8.95	2.21	9.31	2.23
	22	7.75	1.97	8.10	1.99	8.46	2.06	8.64	2.05	9.16	2.13	9.52	2.15
18+10+10	46	6.02	2.64	6.38	2.68	6.74	2.71	6.91	2.74	7.45	2.79	7.80	2.83
	43	6.24	2.56	6.60	2.59	6.95	2.63	7.13	2.65	7.66	2.71	8.02	2.75
	40	6.45	2.47	6.81	2.51	7.17	2.55	7.34	2.57	7.87	2.62	8.23	2.66
	35	6.81	2.31	7.17	2.35	7.52	2.39	7.70	2.41	8.23	2.47	8.59	2.50
	32	7.03	2.25	7.38	2.28	7.74	2.33	7.92	2.34	8.45	2.41	8.81	2.43
	25	7.53	2.05	7.89	2.08	8.24	2.14	8.42	2.14	8.95	2.21	9.31	2.23
	22	7.75	1.97	8.10	1.99	8.46	2.06	8.64	2.05	9.16	2.13	9.52	2.15
22+10+10	46	6.18	2.67	6.55	2.71	6.91	2.75	7.09	2.77	7.64	2.82	8.01	2.87
	43	6.40	2.59	6.77	2.62	7.13	2.66	7.31	2.69	7.86	2.74	8.23	2.78
	40	6.62	2.50	6.99	2.54	7.35	2.58	7.54	2.60	8.08	2.66	8.45	2.69
	35	6.99	2.34	7.35	2.38	7.72	2.42	7.90	2.44	8.45	2.50	8.81	2.53
	32	7.21	2.28	7.58	2.31	7.94	2.36	8.12	2.37	8.66	2.44	9.04	2.46
	25	7.73	2.08	8.09	2.10	8.46	2.16	8.64	2.17	9.18	2.24	9.55	2.26
	22	7.95	1.99	8.31	2.02	8.68	2.08	8.86	2.08	9.40	2.16	9.77	2.18
24+10+10	46	6.18	2.67	6.55	2.71	6.91	2.75	7.09	2.77	7.64	2.82	8.01	2.87
	43	6.40	2.59	6.77	2.62	7.13	2.66	7.31	2.69	7.86	2.74	8.23	2.78
	40	6.62	2.50	6.99	2.54	7.35	2.58	7.54	2.60	8.08	2.66	8.45	2.69
	35	6.99	2.34	7.35	2.38	7.72	2.42	7.90	2.44	8.45	2.50	8.81	2.53
	32	7.21	2.28	7.58	2.31	7.94	2.36	8.12	2.37	8.66	2.44	9.04	2.46
	25	7.73	2.08	8.09	2.10	8.46	2.16	8.64	2.17	9.18	2.24	9.55	2.26
	22	7.95	1.99	8.31	2.02	8.68	2.08	8.86	2.08	9.40	2.16	9.77	2.18

TC : Total capacity[kW]

PI : Power input [kW]

Cooling(230V/50Hz)

Combination (Capacity)	Outdoor air temp. [C DB]	Indoor air temp. [C WB]											
		14		16		18		19		22		24	
		TC [kW]	PI [kW]	TC [kW]	PI [kW]	TC [kW]	PI [kW]	TC [kW]	PI [kW]	TC [kW]	PI [kW]	TC [kW]	PI [kW]
13+13+10	46	6.02	2.64	6.38	2.68	6.74	2.71	6.91	2.74	7.45	2.79	7.80	2.83
	43	6.24	2.56	6.60	2.59	6.95	2.63	7.13	2.65	7.66	2.71	8.02	2.75
	40	6.45	2.47	6.81	2.51	7.17	2.55	7.34	2.57	7.87	2.62	8.23	2.66
	35	6.81	2.31	7.17	2.35	7.52	2.39	7.70	2.41	8.23	2.47	8.59	2.50
	32	7.03	2.25	7.38	2.28	7.74	2.33	7.92	2.34	8.45	2.41	8.81	2.43
	25	7.53	2.05	7.89	2.08	8.24	2.14	8.42	2.14	8.95	2.21	9.31	2.23
	22	7.75	1.97	8.10	1.99	8.46	2.06	8.64	2.05	9.16	2.13	9.52	2.15
16+13+10	46	6.10	2.66	6.46	2.70	6.82	2.74	7.00	2.76	7.54	2.81	7.90	2.86
	43	6.32	2.58	6.68	2.61	7.04	2.65	7.22	2.68	7.76	2.73	8.12	2.77
	40	6.54	2.49	6.90	2.53	7.26	2.57	7.44	2.59	7.98	2.65	8.34	2.68
	35	6.90	2.33	7.26	2.37	7.62	2.41	7.80	2.43	8.34	2.49	8.70	2.52
	32	7.12	2.27	7.48	2.30	7.84	2.35	8.02	2.36	8.56	2.43	8.92	2.45
	25	7.63	2.07	7.99	2.10	8.35	2.16	8.53	2.16	9.06	2.23	9.43	2.25
	22	7.85	1.99	8.21	2.01	8.57	2.07	8.75	2.07	9.28	2.15	9.65	2.17
18+13+10	46	6.10	2.66	6.46	2.70	6.82	2.74	7.00	2.76	7.54	2.81	7.90	2.86
	43	6.32	2.58	6.68	2.61	7.04	2.65	7.22	2.68	7.76	2.73	8.12	2.77
	40	6.54	2.49	6.90	2.53	7.26	2.57	7.44	2.59	7.98	2.65	8.34	2.68
	35	6.90	2.33	7.26	2.37	7.62	2.41	7.80	2.43	8.34	2.49	8.70	2.52
	32	7.12	2.27	7.48	2.30	7.84	2.35	8.02	2.36	8.56	2.43	8.92	2.45
	25	7.63	2.07	7.99	2.10	8.35	2.16	8.53	2.16	9.06	2.23	9.43	2.25
	22	7.85	1.99	8.21	2.01	8.57	2.07	8.75	2.07	9.28	2.15	9.65	2.17
22+13+10	46	6.18	2.67	6.55	2.71	6.91	2.75	7.09	2.77	7.64	2.82	8.01	2.87
	43	6.40	2.59	6.77	2.62	7.13	2.66	7.31	2.69	7.86	2.74	8.23	2.78
	40	6.62	2.50	6.99	2.54	7.35	2.58	7.54	2.60	8.08	2.66	8.45	2.69
	35	6.99	2.34	7.35	2.38	7.72	2.42	7.90	2.44	8.45	2.50	8.81	2.53
	32	7.21	2.28	7.58	2.31	7.94	2.36	8.12	2.37	8.66	2.44	9.04	2.46
	25	7.73	2.08	8.09	2.10	8.46	2.16	8.64	2.17	9.18	2.24	9.55	2.26
	22	7.95	1.99	8.31	2.02	8.68	2.08	8.86	2.08	9.40	2.16	9.77	2.18
24+13+10	46	6.18	2.67	6.55	2.71	6.91	2.75	7.09	2.77	7.64	2.82	8.01	2.87
	43	6.40	2.59	6.77	2.62	7.13	2.66	7.31	2.69	7.86	2.74	8.23	2.78
	40	6.62	2.50	6.99	2.54	7.35	2.58	7.54	2.60	8.08	2.66	8.45	2.69
	35	6.99	2.34	7.35	2.38	7.72	2.42	7.90	2.44	8.45	2.50	8.81	2.53
	32	7.21	2.28	7.58	2.31	7.94	2.36	8.12	2.37	8.66	2.44	9.04	2.46
	25	7.73	2.08	8.09	2.10	8.46	2.16	8.64	2.17	9.18	2.24	9.55	2.26
	22	7.95	1.99	8.31	2.02	8.68	2.08	8.86	2.08	9.40	2.16	9.77	2.18
16+16+10	46	6.18	2.67	6.55	2.71	6.91	2.75	7.09	2.77	7.64	2.82	8.01	2.87
	43	6.40	2.59	6.77	2.62	7.13	2.66	7.31	2.69	7.86	2.74	8.23	2.78
	40	6.62	2.50	6.99	2.54	7.35	2.58	7.54	2.60	8.08	2.66	8.45	2.69
	35	6.99	2.34	7.35	2.38	7.72	2.42	7.90	2.44	8.45	2.50	8.81	2.53
	32	7.21	2.28	7.58	2.31	7.94	2.36	8.12	2.37	8.66	2.44	9.04	2.46
	25	7.73	2.08	8.09	2.10	8.46	2.16	8.64	2.17	9.18	2.24	9.55	2.26
	22	7.95	1.99	8.31	2.02	8.68	2.08	8.86	2.08	9.40	2.16	9.77	2.18
18+16+10	46	6.10	2.66	6.46	2.70	6.82	2.74	7.00	2.76	7.54	2.81	7.90	2.86
	43	6.32	2.58	6.68	2.61	7.04	2.65	7.22	2.68	7.76	2.73	8.12	2.77
	40	6.54	2.49	6.90	2.53	7.26	2.57	7.44	2.59	7.98	2.65	8.34	2.68
	35	6.90	2.33	7.26	2.37	7.62	2.41	7.80	2.43	8.34	2.49	8.70	2.52
	32	7.12	2.27	7.48	2.30	7.84	2.35	8.02	2.36	8.56	2.43	8.92	2.45
	25	7.63	2.07	7.99	2.10	8.35	2.16	8.53	2.16	9.06	2.23	9.43	2.25
	22	7.85	1.99	8.21	2.01	8.57	2.07	8.75	2.07	9.28	2.15	9.65	2.17

TC : Total capacity[kW]

PI : Power input [kW]

Cooling(230V/50Hz)

Combination (Capacity)	Outdoor air temp. [C DB]	Indoor air temp. [C WB]											
		14		16		18		19		22		24	
		TC [kW]	PI [kW]	TC [kW]	PI [kW]	TC [kW]	PI [kW]	TC [kW]	PI [kW]	TC [kW]	PI [kW]	TC [kW]	PI [kW]
22+16+10	46	6.18	2.67	6.55	2.71	6.91	2.75	7.09	2.77	7.64	2.82	8.01	2.87
	43	6.40	2.59	6.77	2.62	7.13	2.66	7.31	2.69	7.86	2.74	8.23	2.78
	40	6.62	2.50	6.99	2.54	7.35	2.58	7.54	2.60	8.08	2.66	8.45	2.69
	35	6.99	2.34	7.35	2.38	7.72	2.42	7.90	2.44	8.45	2.50	8.81	2.53
	32	7.21	2.28	7.58	2.31	7.94	2.36	8.12	2.37	8.66	2.44	9.04	2.46
	25	7.73	2.08	8.09	2.10	8.46	2.16	8.64	2.17	9.18	2.24	9.55	2.26
	22	7.95	1.99	8.31	2.02	8.68	2.08	8.86	2.08	9.40	2.16	9.77	2.18
24+16+10	46	6.18	2.67	6.55	2.71	6.91	2.75	7.09	2.77	7.64	2.82	8.01	2.87
	43	6.40	2.59	6.77	2.62	7.13	2.66	7.31	2.69	7.86	2.74	8.23	2.78
	40	6.62	2.50	6.99	2.54	7.35	2.58	7.54	2.60	8.08	2.66	8.45	2.69
	35	6.99	2.34	7.35	2.38	7.72	2.42	7.90	2.44	8.45	2.50	8.81	2.53
	32	7.21	2.28	7.58	2.31	7.94	2.36	8.12	2.37	8.66	2.44	9.04	2.46
	25	7.73	2.08	8.09	2.10	8.46	2.16	8.64	2.17	9.18	2.24	9.55	2.26
	22	7.95	1.99	8.31	2.02	8.68	2.08	8.86	2.08	9.40	2.16	9.77	2.18
18+18+10	46	6.18	2.67	6.55	2.71	6.91	2.75	7.09	2.77	7.64	2.82	8.01	2.87
	43	6.40	2.59	6.77	2.62	7.13	2.66	7.31	2.69	7.86	2.74	8.23	2.78
	40	6.62	2.50	6.99	2.54	7.35	2.58	7.54	2.60	8.08	2.66	8.45	2.69
	35	6.99	2.34	7.35	2.38	7.72	2.42	7.90	2.44	8.45	2.50	8.81	2.53
	32	7.21	2.28	7.58	2.31	7.94	2.36	8.12	2.37	8.66	2.44	9.04	2.46
	25	7.73	2.08	8.09	2.10	8.46	2.16	8.64	2.17	9.18	2.24	9.55	2.26
	22	7.95	1.99	8.31	2.02	8.68	2.08	8.86	2.08	9.40	2.16	9.77	2.18
22+18+10	46	6.18	2.67	6.55	2.71	6.91	2.75	7.09	2.77	7.64	2.82	8.01	2.87
	43	6.40	2.59	6.77	2.62	7.13	2.66	7.31	2.69	7.86	2.74	8.23	2.78
	40	6.62	2.50	6.99	2.54	7.35	2.58	7.54	2.60	8.08	2.66	8.45	2.69
	35	6.99	2.34	7.35	2.38	7.72	2.42	7.90	2.44	8.45	2.50	8.81	2.53
	32	7.21	2.28	7.58	2.31	7.94	2.36	8.12	2.37	8.66	2.44	9.04	2.46
	25	7.73	2.08	8.09	2.10	8.46	2.16	8.64	2.17	9.18	2.24	9.55	2.26
	22	7.95	1.99	8.31	2.02	8.68	2.08	8.86	2.08	9.40	2.16	9.77	2.18
24+18+10	46	6.26	2.68	6.63	2.72	7.00	2.76	7.18	2.78	7.74	2.84	8.11	2.88
	43	6.48	2.60	6.85	2.64	7.22	2.68	7.41	2.70	7.96	2.75	8.33	2.79
	40	6.71	2.51	7.08	2.55	7.44	2.59	7.63	2.61	8.18	2.67	8.55	2.71
	35	7.08	2.35	7.44	2.39	7.81	2.43	8.00	2.45	8.55	2.51	8.92	2.54
	32	7.30	2.29	7.67	2.32	8.04	2.37	8.23	2.38	8.77	2.45	9.15	2.47
	25	7.82	2.09	8.19	2.11	8.56	2.17	8.75	2.18	9.29	2.25	9.67	2.27
	22	8.05	2.00	8.42	2.03	8.79	2.09	8.97	2.09	9.52	2.17	9.89	2.18
13+13+13	46	6.10	2.66	6.46	2.70	6.82	2.74	7.00	2.76	7.54	2.81	7.90	2.86
	43	6.32	2.58	6.68	2.61	7.04	2.65	7.22	2.68	7.76	2.73	8.12	2.77
	40	6.54	2.49	6.90	2.53	7.26	2.57	7.44	2.59	7.98	2.65	8.34	2.68
	35	6.90	2.33	7.26	2.37	7.62	2.41	7.80	2.43	8.34	2.49	8.70	2.52
	32	7.12	2.27	7.48	2.30	7.84	2.35	8.02	2.36	8.56	2.43	8.92	2.45
	25	7.63	2.07	7.99	2.10	8.35	2.16	8.53	2.16	9.06	2.23	9.43	2.25
	22	7.85	1.99	8.21	2.01	8.57	2.07	8.75	2.07	9.28	2.15	9.65	2.17
16+13+13	46	6.18	2.67	6.55	2.71	6.91	2.75	7.09	2.77	7.64	2.82	8.01	2.87
	43	6.40	2.59	6.77	2.62	7.13	2.66	7.31	2.69	7.86	2.74	8.23	2.78
	40	6.62	2.50	6.99	2.54	7.35	2.58	7.54	2.60	8.08	2.66	8.45	2.69
	35	6.99	2.34	7.35	2.38	7.72	2.42	7.90	2.44	8.45	2.50	8.81	2.53
	32	7.21	2.28	7.58	2.31	7.94	2.36	8.12	2.37	8.66	2.44	9.04	2.46
	25	7.73	2.08	8.09	2.10	8.46	2.16	8.64	2.17	9.18	2.24	9.55	2.26
	22	7.95	1.99	8.31	2.02	8.68	2.08	8.86	2.08	9.40	2.16	9.77	2.18

TC : Total capacity[kW]

PI : Power input [kW]

Cooling(230V/50Hz)

Combination (Capacity)	Outdoor air temp. [C DB]	Indoor air temp. [C WB]											
		14		16		18		19		22		24	
		TC [kW]	PI [kW]	TC [kW]	PI [kW]	TC [kW]	PI [kW]	TC [kW]	PI [kW]	TC [kW]	PI [kW]	TC [kW]	PI [kW]
18+13+13	46	6.18	2.67	6.55	2.71	6.91	2.75	7.09	2.77	7.64	2.82	8.01	2.87
	43	6.40	2.59	6.77	2.62	7.13	2.66	7.31	2.69	7.86	2.74	8.23	2.78
	40	6.62	2.50	6.99	2.54	7.35	2.58	7.54	2.60	8.08	2.66	8.45	2.69
	35	6.99	2.34	7.35	2.38	7.72	2.42	7.90	2.44	8.45	2.50	8.81	2.53
	32	7.21	2.28	7.58	2.31	7.94	2.36	8.12	2.37	8.66	2.44	9.04	2.46
	25	7.73	2.08	8.09	2.10	8.46	2.16	8.64	2.17	9.18	2.24	9.55	2.26
	22	7.95	1.99	8.31	2.02	8.68	2.08	8.86	2.08	9.40	2.16	9.77	2.18
22+13+13	46	6.18	2.67	6.55	2.71	6.91	2.75	7.09	2.77	7.64	2.82	8.01	2.87
	43	6.40	2.59	6.77	2.62	7.13	2.66	7.31	2.69	7.86	2.74	8.23	2.78
	40	6.62	2.50	6.99	2.54	7.35	2.58	7.54	2.60	8.08	2.66	8.45	2.69
	35	6.99	2.34	7.35	2.38	7.72	2.42	7.90	2.44	8.45	2.50	8.81	2.53
	32	7.21	2.28	7.58	2.31	7.94	2.36	8.12	2.37	8.66	2.44	9.04	2.46
	25	7.73	2.08	8.09	2.10	8.46	2.16	8.64	2.17	9.18	2.24	9.55	2.26
	22	7.95	1.99	8.31	2.02	8.68	2.08	8.86	2.08	9.40	2.16	9.77	2.18
24+13+13	46	6.18	2.67	6.55	2.71	6.91	2.75	7.09	2.77	7.64	2.82	8.01	2.87
	43	6.40	2.59	6.77	2.62	7.13	2.66	7.31	2.69	7.86	2.74	8.23	2.78
	40	6.62	2.50	6.99	2.54	7.35	2.58	7.54	2.60	8.08	2.66	8.45	2.69
	35	6.99	2.34	7.35	2.38	7.72	2.42	7.90	2.44	8.45	2.50	8.81	2.53
	32	7.21	2.28	7.58	2.31	7.94	2.36	8.12	2.37	8.66	2.44	9.04	2.46
	25	7.73	2.08	8.09	2.10	8.46	2.16	8.64	2.17	9.18	2.24	9.55	2.26
	22	7.95	1.99	8.31	2.02	8.68	2.08	8.86	2.08	9.40	2.16	9.77	2.18
16+16+13	46	6.18	2.67	6.55	2.71	6.91	2.75	7.09	2.77	7.64	2.82	8.01	2.87
	43	6.40	2.59	6.77	2.62	7.13	2.66	7.31	2.69	7.86	2.74	8.23	2.78
	40	6.62	2.50	6.99	2.54	7.35	2.58	7.54	2.60	8.08	2.66	8.45	2.69
	35	6.99	2.34	7.35	2.38	7.72	2.42	7.90	2.44	8.45	2.50	8.81	2.53
	32	7.21	2.28	7.58	2.31	7.94	2.36	8.12	2.37	8.66	2.44	9.04	2.46
	25	7.73	2.08	8.09	2.10	8.46	2.16	8.64	2.17	9.18	2.24	9.55	2.26
	22	7.95	1.99	8.31	2.02	8.68	2.08	8.86	2.08	9.40	2.16	9.77	2.18
18+16+13	46	6.18	2.67	6.55	2.71	6.91	2.75	7.09	2.77	7.64	2.82	8.01	2.87
	43	6.40	2.59	6.77	2.62	7.13	2.66	7.31	2.69	7.86	2.74	8.23	2.78
	40	6.62	2.50	6.99	2.54	7.35	2.58	7.54	2.60	8.08	2.66	8.45	2.69
	35	6.99	2.34	7.35	2.38	7.72	2.42	7.90	2.44	8.45	2.50	8.81	2.53
	32	7.21	2.28	7.58	2.31	7.94	2.36	8.12	2.37	8.66	2.44	9.04	2.46
	25	7.73	2.08	8.09	2.10	8.46	2.16	8.64	2.17	9.18	2.24	9.55	2.26
	22	7.95	1.99	8.31	2.02	8.68	2.08	8.86	2.08	9.40	2.16	9.77	2.18
22+16+13	46	6.18	2.67	6.55	2.71	6.91	2.75	7.09	2.77	7.64	2.82	8.01	2.87
	43	6.40	2.59	6.77	2.62	7.13	2.66	7.31	2.69	7.86	2.74	8.23	2.78
	40	6.62	2.50	6.99	2.54	7.35	2.58	7.54	2.60	8.08	2.66	8.45	2.69
	35	6.99	2.34	7.35	2.38	7.72	2.42	7.90	2.44	8.45	2.50	8.81	2.53
	32	7.21	2.28	7.58	2.31	7.94	2.36	8.12	2.37	8.66	2.44	9.04	2.46
	25	7.73	2.08	8.09	2.10	8.46	2.16	8.64	2.17	9.18	2.24	9.55	2.26
	22	7.95	1.99	8.31	2.02	8.68	2.08	8.86	2.08	9.40	2.16	9.77	2.18
24+16+13	46	6.26	2.68	6.63	2.72	7.00	2.76	7.18	2.78	7.74	2.84	8.11	2.88
	43	6.48	2.60	6.85	2.64	7.22	2.68	7.41	2.70	7.96	2.75	8.33	2.79
	40	6.71	2.51	7.08	2.55	7.44	2.59	7.63	2.61	8.18	2.67	8.55	2.71
	35	7.08	2.35	7.44	2.39	7.81	2.43	8.00	2.45	8.55	2.51	8.92	2.54
	32	7.30	2.29	7.67	2.32	8.04	2.37	8.23	2.38	8.77	2.45	9.15	2.47
	25	7.82	2.09	8.19	2.11	8.56	2.17	8.75	2.18	9.29	2.25	9.67	2.27
	22	8.05	2.00	8.42	2.03	8.79	2.09	8.97	2.09	9.52	2.17	9.89	2.18

TC : Total capacity[kW]

PI : Power input [kW]

Cooling(230V/50Hz)

Combination (Capacity)	Outdoor air temp. [C DB]	Indoor air temp. [C WB]											
		14		16		18		19		22		24	
		TC [kW]	PI [kW]	TC [kW]	PI [kW]	TC [kW]	PI [kW]	TC [kW]	PI [kW]	TC [kW]	PI [kW]	TC [kW]	PI [kW]
18+18+13	46	6.18	2.67	6.55	2.71	6.91	2.75	7.09	2.77	7.64	2.82	8.01	2.87
	43	6.40	2.59	6.77	2.62	7.13	2.66	7.31	2.69	7.86	2.74	8.23	2.78
	40	6.62	2.50	6.99	2.54	7.35	2.58	7.54	2.60	8.08	2.66	8.45	2.69
	35	6.99	2.34	7.35	2.38	7.72	2.42	7.90	2.44	8.45	2.50	8.81	2.53
	32	7.21	2.28	7.58	2.31	7.94	2.36	8.12	2.37	8.66	2.44	9.04	2.46
	25	7.73	2.08	8.09	2.10	8.46	2.16	8.64	2.17	9.18	2.24	9.55	2.26
	22	7.95	1.99	8.31	2.02	8.68	2.08	8.86	2.08	9.40	2.16	9.77	2.18
22+18+13	46	6.26	2.68	6.63	2.72	7.00	2.76	7.18	2.78	7.74	2.84	8.11	2.88
	43	6.48	2.60	6.85	2.64	7.22	2.68	7.41	2.70	7.96	2.75	8.33	2.79
	40	6.71	2.51	7.08	2.55	7.44	2.59	7.63	2.61	8.18	2.67	8.55	2.71
	35	7.08	2.35	7.44	2.39	7.81	2.43	8.00	2.45	8.55	2.51	8.92	2.54
	32	7.30	2.29	7.67	2.32	8.04	2.37	8.23	2.38	8.77	2.45	9.15	2.47
	25	7.82	2.09	8.19	2.11	8.56	2.17	8.75	2.18	9.29	2.25	9.67	2.27
	22	8.05	2.00	8.42	2.03	8.79	2.09	8.97	2.09	9.52	2.17	9.89	2.18
16+16+16	46	6.18	2.67	6.55	2.71	6.91	2.75	7.09	2.77	7.64	2.82	8.01	2.87
	43	6.40	2.59	6.77	2.62	7.13	2.66	7.31	2.69	7.86	2.74	8.23	2.78
	40	6.62	2.50	6.99	2.54	7.35	2.58	7.54	2.60	8.08	2.66	8.45	2.69
	35	6.99	2.34	7.35	2.38	7.72	2.42	7.90	2.44	8.45	2.50	8.81	2.53
	32	7.21	2.28	7.58	2.31	7.94	2.36	8.12	2.37	8.66	2.44	9.04	2.46
	25	7.73	2.08	8.09	2.10	8.46	2.16	8.64	2.17	9.18	2.24	9.55	2.26
	22	7.95	1.99	8.31	2.02	8.68	2.08	8.86	2.08	9.40	2.16	9.77	2.18
22+16+16	46	6.26	2.68	6.63	2.72	7.00	2.76	7.18	2.78	7.74	2.84	8.11	2.88
	43	6.48	2.60	6.85	2.64	7.22	2.68	7.41	2.70	7.96	2.75	8.33	2.79
	40	6.71	2.51	7.08	2.55	7.44	2.59	7.63	2.61	8.18	2.67	8.55	2.71
	35	7.08	2.35	7.44	2.39	7.81	2.43	8.00	2.45	8.55	2.51	8.92	2.54
	32	7.30	2.29	7.67	2.32	8.04	2.37	8.23	2.38	8.77	2.45	9.15	2.47
	25	7.82	2.09	8.19	2.11	8.56	2.17	8.75	2.18	9.29	2.25	9.67	2.27
	22	8.05	2.00	8.42	2.03	8.79	2.09	8.97	2.09	9.52	2.17	9.89	2.18

TC : Total capacity[kW]

PI : Power input [kW]

Cooling(230V/50Hz)

Combination (Capacity)	Outdoor air temp. [C DB]	Indoor air temp. [C WB]											
		14		16		18		19		22		24	
		TC [kW]	PI [kW]	TC [kW]	PI [kW]	TC [kW]	PI [kW]	TC [kW]	PI [kW]	TC [kW]	PI [kW]	TC [kW]	PI [kW]
07+07+07+07	46	5.56	2.22	5.88	2.25	6.21	2.29	6.38	2.31	6.87	2.35	7.19	2.38
	43	5.75	2.15	6.08	2.18	6.41	2.22	6.57	2.23	7.06	2.28	7.39	2.31
	40	5.95	2.08	6.28	2.11	6.61	2.15	6.77	2.16	7.26	2.21	7.59	2.24
	35	6.28	1.95	6.61	1.98	6.94	2.01	7.10	2.03	7.59	2.08	7.92	2.11
	32	6.48	1.89	6.81	1.92	7.14	1.96	7.30	1.97	7.79	2.02	8.12	2.05
	25	6.94	1.73	7.27	1.75	7.60	1.80	7.76	1.80	8.25	1.86	8.58	1.88
	22	7.14	1.66	7.47	1.68	7.80	1.73	7.96	1.73	8.45	1.79	8.78	1.81
10+07+07+07	46	5.87	2.35	6.21	2.38	6.56	2.41	6.74	2.44	7.25	2.48	7.60	2.52
	43	6.08	2.27	6.42	2.31	6.77	2.34	6.94	2.36	7.46	2.41	7.81	2.44
	40	6.29	2.20	6.63	2.23	6.98	2.27	7.15	2.28	7.67	2.33	8.02	2.37
	35	6.63	2.06	6.98	2.09	7.33	2.13	7.50	2.14	8.02	2.19	8.36	2.23
	32	6.85	2.00	7.19	2.03	7.54	2.07	7.71	2.08	8.23	2.14	8.58	2.16
	25	7.33	1.83	7.68	1.85	8.03	1.90	8.20	1.90	8.71	1.97	9.07	1.99
	22	7.54	1.75	7.89	1.77	8.24	1.83	8.41	1.83	8.92	1.89	9.28	1.91
13+07+07+07	46	5.95	2.38	6.30	2.41	6.65	2.44	6.82	2.47	7.35	2.51	7.70	2.55
	43	6.16	2.30	6.51	2.34	6.86	2.37	7.04	2.39	7.56	2.44	7.91	2.47
	40	6.37	2.23	6.72	2.26	7.07	2.30	7.25	2.31	7.77	2.36	8.13	2.40
	35	6.72	2.09	7.07	2.12	7.42	2.15	7.60	2.17	8.13	2.22	8.48	2.26
	32	6.94	2.03	7.29	2.05	7.64	2.10	7.82	2.11	8.34	2.17	8.69	2.19
	25	7.43	1.85	7.78	1.87	8.14	1.93	8.31	1.93	8.83	1.99	9.19	2.01
	22	7.64	1.77	8.00	1.80	8.35	1.85	8.52	1.85	9.04	1.92	9.40	1.94
16+07+07+07	46	6.02	2.41	6.38	2.44	6.74	2.48	6.91	2.50	7.45	2.55	7.80	2.59
	43	6.24	2.33	6.60	2.37	6.95	2.40	7.13	2.42	7.66	2.47	8.02	2.51
	40	6.45	2.26	6.81	2.29	7.17	2.33	7.34	2.34	7.87	2.40	8.23	2.43
	35	6.81	2.11	7.17	2.15	7.52	2.18	7.70	2.20	8.23	2.25	8.59	2.29
	32	7.03	2.05	7.38	2.08	7.74	2.13	7.92	2.14	8.45	2.20	8.81	2.22
	25	7.53	1.87	7.89	1.90	8.24	1.95	8.42	1.95	8.95	2.02	9.31	2.04
	22	7.75	1.80	8.10	1.82	8.46	1.88	8.64	1.88	9.16	1.94	9.52	1.96
18+07+07+07	46	6.10	2.44	6.46	2.48	6.82	2.51	7.00	2.53	7.54	2.58	7.90	2.62
	43	6.32	2.36	6.68	2.40	7.04	2.43	7.22	2.45	7.76	2.50	8.12	2.54
	40	6.54	2.29	6.90	2.32	7.26	2.36	7.44	2.37	7.98	2.43	8.34	2.46
	35	6.90	2.14	7.26	2.18	7.62	2.21	7.80	2.23	8.34	2.28	8.70	2.32
	32	7.12	2.08	7.48	2.11	7.84	2.15	8.02	2.16	8.56	2.22	8.92	2.25
	25	7.63	1.90	7.99	1.92	8.35	1.98	8.53	1.98	9.06	2.05	9.43	2.07
	22	7.85	1.82	8.21	1.84	8.57	1.90	8.75	1.90	9.28	1.97	9.65	1.99
22+07+07+07	46	6.18	2.47	6.55	2.51	6.91	2.54	7.09	2.57	7.64	2.61	8.01	2.65
	43	6.40	2.39	6.77	2.43	7.13	2.46	7.31	2.48	7.86	2.54	8.23	2.57
	40	6.62	2.32	6.99	2.35	7.35	2.39	7.54	2.40	8.08	2.46	8.45	2.49
	35	6.99	2.17	7.35	2.20	7.72	2.24	7.90	2.26	8.45	2.31	8.81	2.34
	32	7.21	2.11	7.58	2.13	7.94	2.18	8.12	2.19	8.66	2.25	9.04	2.28
	25	7.73	1.92	8.09	1.95	8.46	2.00	8.64	2.00	9.18	2.07	9.55	2.09
	22	7.95	1.85	8.31	1.87	8.68	1.92	8.86	1.92	9.40	2.00	9.77	2.01
24+07+07+07	46	6.18	2.47	6.55	2.51	6.91	2.54	7.09	2.57	7.64	2.61	8.01	2.65
	43	6.40	2.39	6.77	2.43	7.13	2.46	7.31	2.48	7.86	2.54	8.23	2.57
	40	6.62	2.32	6.99	2.35	7.35	2.39	7.54	2.40	8.08	2.46	8.45	2.49
	35	6.99	2.17	7.35	2.20	7.72	2.24	7.90	2.26	8.45	2.31	8.81	2.34
	32	7.21	2.11	7.58	2.13	7.94	2.18	8.12	2.19	8.66	2.25	9.04	2.28
	25	7.73	1.92	8.09	1.95	8.46	2.00	8.64	2.00	9.18	2.07	9.55	2.09
	22	7.95	1.85	8.31	1.87	8.68	1.92	8.86	1.92	9.40	2.00	9.77	2.01

TC : Total capacity[kW]  
PI : Power input [kW]

Cooling(230V/50Hz)

Combination (Capacity)	Outdoor air temp. [C DB]	Indoor air temp. [C WB]											
		14		16		18		19		22		24	
		TC [kW]	PI [kW]	TC [kW]	PI [kW]	TC [kW]	PI [kW]	TC [kW]	PI [kW]	TC [kW]	PI [kW]	TC [kW]	PI [kW]
10+10+07+07	46	5.95	2.38	6.30	2.41	6.65	2.44	6.82	2.47	7.35	2.51	7.70	2.55
	43	6.16	2.30	6.51	2.34	6.86	2.37	7.04	2.39	7.56	2.44	7.91	2.47
	40	6.37	2.23	6.72	2.26	7.07	2.30	7.25	2.31	7.77	2.36	8.13	2.40
	35	6.72	2.09	7.07	2.12	7.42	2.15	7.60	2.17	8.13	2.22	8.48	2.26
	32	6.94	2.03	7.29	2.05	7.64	2.10	7.82	2.11	8.34	2.17	8.69	2.19
	25	7.43	1.85	7.78	1.87	8.14	1.93	8.31	1.93	8.83	1.99	9.19	2.01
	22	7.64	1.77	8.00	1.80	8.35	1.85	8.52	1.85	9.04	1.92	9.40	1.94
13+10+07+07	46	6.02	2.41	6.38	2.44	6.74	2.48	6.91	2.50	7.45	2.55	7.80	2.59
	43	6.24	2.33	6.60	2.37	6.95	2.40	7.13	2.42	7.66	2.47	8.02	2.51
	40	6.45	2.26	6.81	2.29	7.17	2.33	7.34	2.34	7.87	2.40	8.23	2.43
	35	6.81	2.11	7.17	2.15	7.52	2.18	7.70	2.20	8.23	2.25	8.59	2.29
	32	7.03	2.05	7.38	2.08	7.74	2.13	7.92	2.14	8.45	2.20	8.81	2.22
	25	7.53	1.87	7.89	1.90	8.24	1.95	8.42	1.95	8.95	2.02	9.31	2.04
	22	7.75	1.80	8.10	1.82	8.46	1.88	8.64	1.88	9.16	1.94	9.52	1.96
16+10+07+07	46	6.10	2.44	6.46	2.48	6.82	2.51	7.00	2.53	7.54	2.58	7.90	2.62
	43	6.32	2.36	6.68	2.40	7.04	2.43	7.22	2.45	7.76	2.50	8.12	2.54
	40	6.54	2.29	6.90	2.32	7.26	2.36	7.44	2.37	7.98	2.43	8.34	2.46
	35	6.90	2.14	7.26	2.18	7.62	2.21	7.80	2.23	8.34	2.28	8.70	2.32
	32	7.12	2.08	7.48	2.11	7.84	2.15	8.02	2.16	8.56	2.22	8.92	2.25
	25	7.63	1.90	7.99	1.92	8.35	1.98	8.53	1.98	9.06	2.05	9.43	2.07
	22	7.85	1.82	8.21	1.84	8.57	1.90	8.75	1.90	9.28	1.97	9.65	1.99
18+10+07+07	46	6.18	2.47	6.55	2.51	6.91	2.54	7.09	2.57	7.64	2.61	8.01	2.65
	43	6.40	2.39	6.77	2.43	7.13	2.46	7.31	2.48	7.86	2.54	8.23	2.57
	40	6.62	2.32	6.99	2.35	7.35	2.39	7.54	2.40	8.08	2.46	8.45	2.49
	35	6.99	2.17	7.35	2.20	7.72	2.24	7.90	2.26	8.45	2.31	8.81	2.34
	32	7.21	2.11	7.58	2.13	7.94	2.18	8.12	2.19	8.66	2.25	9.04	2.28
	25	7.73	1.92	8.09	1.95	8.46	2.00	8.64	2.00	9.18	2.07	9.55	2.09
	22	7.95	1.85	8.31	1.87	8.68	1.92	8.86	1.92	9.40	2.00	9.77	2.01
22+10+07+07	46	6.18	2.47	6.55	2.51	6.91	2.54	7.09	2.57	7.64	2.61	8.01	2.65
	43	6.40	2.39	6.77	2.43	7.13	2.46	7.31	2.48	7.86	2.54	8.23	2.57
	40	6.62	2.32	6.99	2.35	7.35	2.39	7.54	2.40	8.08	2.46	8.45	2.49
	35	6.99	2.17	7.35	2.20	7.72	2.24	7.90	2.26	8.45	2.31	8.81	2.34
	32	7.21	2.11	7.58	2.13	7.94	2.18	8.12	2.19	8.66	2.25	9.04	2.28
	25	7.73	1.92	8.09	1.95	8.46	2.00	8.64	2.00	9.18	2.07	9.55	2.09
	22	7.95	1.85	8.31	1.87	8.68	1.92	8.86	1.92	9.40	2.00	9.77	2.01
24+10+07+07	46	6.18	2.47	6.55	2.51	6.91	2.54	7.09	2.57	7.64	2.61	8.01	2.65
	43	6.40	2.39	6.77	2.43	7.13	2.46	7.31	2.48	7.86	2.54	8.23	2.57
	40	6.62	2.32	6.99	2.35	7.35	2.39	7.54	2.40	8.08	2.46	8.45	2.49
	35	6.99	2.17	7.35	2.20	7.72	2.24	7.90	2.26	8.45	2.31	8.81	2.34
	32	7.21	2.11	7.58	2.13	7.94	2.18	8.12	2.19	8.66	2.25	9.04	2.28
	25	7.73	1.92	8.09	1.95	8.46	2.00	8.64	2.00	9.18	2.07	9.55	2.09
	22	7.95	1.85	8.31	1.87	8.68	1.92	8.86	1.92	9.40	2.00	9.77	2.01
13+13+07+07	46	6.18	2.47	6.55	2.51	6.91	2.54	7.09	2.57	7.64	2.61	8.01	2.65
	43	6.40	2.39	6.77	2.43	7.13	2.46	7.31	2.48	7.86	2.54	8.23	2.57
	40	6.62	2.32	6.99	2.35	7.35	2.39	7.54	2.40	8.08	2.46	8.45	2.49
	35	6.99	2.17	7.35	2.20	7.72	2.24	7.90	2.26	8.45	2.31	8.81	2.34
	32	7.21	2.11	7.58	2.13	7.94	2.18	8.12	2.19	8.66	2.25	9.04	2.28
	25	7.73	1.92	8.09	1.95	8.46	2.00	8.64	2.00	9.18	2.07	9.55	2.09
	22	7.95	1.85	8.31	1.87	8.68	1.92	8.86	1.92	9.40	2.00	9.77	2.01

TC : Total capacity[kW]

PI : Power input [kW]



Cooling(230V/50Hz)

Combination (Capacity)	Outdoor air temp. [C DB]	Indoor air temp. [C WB]											
		14		16		18		19		22		24	
		TC [kW]	PI [kW]	TC [kW]	PI [kW]	TC [kW]	PI [kW]	TC [kW]	PI [kW]	TC [kW]	PI [kW]	TC [kW]	PI [kW]
16+13+07+07	46	6.18	2.47	6.55	2.51	6.91	2.54	7.09	2.57	7.64	2.61	8.01	2.65
	43	6.40	2.39	6.77	2.43	7.13	2.46	7.31	2.48	7.86	2.54	8.23	2.57
	40	6.62	2.32	6.99	2.35	7.35	2.39	7.54	2.40	8.08	2.46	8.45	2.49
	35	6.99	2.17	7.35	2.20	7.72	2.24	7.90	2.26	8.45	2.31	8.81	2.34
	32	7.21	2.11	7.58	2.13	7.94	2.18	8.12	2.19	8.66	2.25	9.04	2.28
	25	7.73	1.92	8.09	1.95	8.46	2.00	8.64	2.00	9.18	2.07	9.55	2.09
	22	7.95	1.85	8.31	1.87	8.68	1.92	8.86	1.92	9.40	2.00	9.77	2.01
18+13+07+07	46	6.18	2.47	6.55	2.51	6.91	2.54	7.09	2.57	7.64	2.61	8.01	2.65
	43	6.40	2.39	6.77	2.43	7.13	2.46	7.31	2.48	7.86	2.54	8.23	2.57
	40	6.62	2.32	6.99	2.35	7.35	2.39	7.54	2.40	8.08	2.46	8.45	2.49
	35	6.99	2.17	7.35	2.20	7.72	2.24	7.90	2.26	8.45	2.31	8.81	2.34
	32	7.21	2.11	7.58	2.13	7.94	2.18	8.12	2.19	8.66	2.25	9.04	2.28
	25	7.73	1.92	8.09	1.95	8.46	2.00	8.64	2.00	9.18	2.07	9.55	2.09
	22	7.95	1.85	8.31	1.87	8.68	1.92	8.86	1.92	9.40	2.00	9.77	2.01
22+13+07+07	46	6.18	2.47	6.55	2.51	6.91	2.54	7.09	2.57	7.64	2.61	8.01	2.65
	43	6.40	2.39	6.77	2.43	7.13	2.46	7.31	2.48	7.86	2.54	8.23	2.57
	40	6.62	2.32	6.99	2.35	7.35	2.39	7.54	2.40	8.08	2.46	8.45	2.49
	35	6.99	2.17	7.35	2.20	7.72	2.24	7.90	2.26	8.45	2.31	8.81	2.34
	32	7.21	2.11	7.58	2.13	7.94	2.18	8.12	2.19	8.66	2.25	9.04	2.28
	25	7.73	1.92	8.09	1.95	8.46	2.00	8.64	2.00	9.18	2.07	9.55	2.09
	22	7.95	1.85	8.31	1.87	8.68	1.92	8.86	1.92	9.40	2.00	9.77	2.01
24+13+07+07	46	6.18	2.47	6.55	2.51	6.91	2.54	7.09	2.57	7.64	2.61	8.01	2.65
	43	6.40	2.39	6.77	2.43	7.13	2.46	7.31	2.48	7.86	2.54	8.23	2.57
	40	6.62	2.32	6.99	2.35	7.35	2.39	7.54	2.40	8.08	2.46	8.45	2.49
	35	6.99	2.17	7.35	2.20	7.72	2.24	7.90	2.26	8.45	2.31	8.81	2.34
	32	7.21	2.11	7.58	2.13	7.94	2.18	8.12	2.19	8.66	2.25	9.04	2.28
	25	7.73	1.92	8.09	1.95	8.46	2.00	8.64	2.00	9.18	2.07	9.55	2.09
	22	7.95	1.85	8.31	1.87	8.68	1.92	8.86	1.92	9.40	2.00	9.77	2.01
16+16+07+07	46	6.18	2.47	6.55	2.51	6.91	2.54	7.09	2.57	7.64	2.61	8.01	2.65
	43	6.40	2.39	6.77	2.43	7.13	2.46	7.31	2.48	7.86	2.54	8.23	2.57
	40	6.62	2.32	6.99	2.35	7.35	2.39	7.54	2.40	8.08	2.46	8.45	2.49
	35	6.99	2.17	7.35	2.20	7.72	2.24	7.90	2.26	8.45	2.31	8.81	2.34
	32	7.21	2.11	7.58	2.13	7.94	2.18	8.12	2.19	8.66	2.25	9.04	2.28
	25	7.73	1.92	8.09	1.95	8.46	2.00	8.64	2.00	9.18	2.07	9.55	2.09
	22	7.95	1.85	8.31	1.87	8.68	1.92	8.86	1.92	9.40	2.00	9.77	2.01
18+16+07+07	46	6.18	2.47	6.55	2.51	6.91	2.54	7.09	2.57	7.64	2.61	8.01	2.65
	43	6.40	2.39	6.77	2.43	7.13	2.46	7.31	2.48	7.86	2.54	8.23	2.57
	40	6.62	2.32	6.99	2.35	7.35	2.39	7.54	2.40	8.08	2.46	8.45	2.49
	35	6.99	2.17	7.35	2.20	7.72	2.24	7.90	2.26	8.45	2.31	8.81	2.34
	32	7.21	2.11	7.58	2.13	7.94	2.18	8.12	2.19	8.66	2.25	9.04	2.28
	25	7.73	1.92	8.09	1.95	8.46	2.00	8.64	2.00	9.18	2.07	9.55	2.09
	22	7.95	1.85	8.31	1.87	8.68	1.92	8.86	1.92	9.40	2.00	9.77	2.01
18+18+07+07	46	6.18	2.47	6.55	2.51	6.91	2.54	7.09	2.57	7.64	2.61	8.01	2.65
	43	6.40	2.39	6.77	2.43	7.13	2.46	7.31	2.48	7.86	2.54	8.23	2.57
	40	6.62	2.32	6.99	2.35	7.35	2.39	7.54	2.40	8.08	2.46	8.45	2.49
	35	6.99	2.17	7.35	2.20	7.72	2.24	7.90	2.26	8.45	2.31	8.81	2.34
	32	7.21	2.11	7.58	2.13	7.94	2.18	8.12	2.19	8.66	2.25	9.04	2.28
	25	7.73	1.92	8.09	1.95	8.46	2.00	8.64	2.00	9.18	2.07	9.55	2.09
	22	7.95	1.85	8.31	1.87	8.68	1.92	8.86	1.92	9.40	2.00	9.77	2.01

TC : Total capacity[kW]

PI : Power input [kW]

Cooling(230V/50Hz)

Combination (Capacity)	Outdoor air temp. [C DB]	Indoor air temp. [C WB]											
		14		16		18		19		22		24	
		TC [kW]	PI [kW]	TC [kW]	PI [kW]	TC [kW]	PI [kW]	TC [kW]	PI [kW]	TC [kW]	PI [kW]	TC [kW]	PI [kW]
10+10+10+07	46	5.95	2.38	6.30	2.41	6.65	2.44	6.82	2.47	7.35	2.51	7.70	2.55
	43	6.16	2.30	6.51	2.34	6.86	2.37	7.04	2.39	7.56	2.44	7.91	2.47
	40	6.37	2.23	6.72	2.26	7.07	2.30	7.25	2.31	7.77	2.36	8.13	2.40
	35	6.72	2.09	7.07	2.12	7.42	2.15	7.60	2.17	8.13	2.22	8.48	2.26
	32	6.94	2.03	7.29	2.05	7.64	2.10	7.82	2.11	8.34	2.17	8.69	2.19
	25	7.43	1.85	7.78	1.87	8.14	1.93	8.31	1.93	8.83	1.99	9.19	2.01
	22	7.64	1.77	8.00	1.80	8.35	1.85	8.52	1.85	9.04	1.92	9.40	1.94
13+10+10+07	46	6.10	2.44	6.46	2.48	6.82	2.51	7.00	2.53	7.54	2.58	7.90	2.62
	43	6.32	2.36	6.68	2.40	7.04	2.43	7.22	2.45	7.76	2.50	8.12	2.54
	40	6.54	2.29	6.90	2.32	7.26	2.36	7.44	2.37	7.98	2.43	8.34	2.46
	35	6.90	2.14	7.26	2.18	7.62	2.21	7.80	2.23	8.34	2.28	8.70	2.32
	32	7.12	2.08	7.48	2.11	7.84	2.15	8.02	2.16	8.56	2.22	8.92	2.25
	25	7.63	1.90	7.99	1.92	8.35	1.98	8.53	1.98	9.06	2.05	9.43	2.07
	22	7.85	1.82	8.21	1.84	8.57	1.90	8.75	1.90	9.28	1.97	9.65	1.99
16+10+10+07	46	6.18	2.47	6.55	2.51	6.91	2.54	7.09	2.57	7.64	2.61	8.01	2.65
	43	6.40	2.39	6.77	2.43	7.13	2.46	7.31	2.48	7.86	2.54	8.23	2.57
	40	6.62	2.32	6.99	2.35	7.35	2.39	7.54	2.40	8.08	2.46	8.45	2.49
	35	6.99	2.17	7.35	2.20	7.72	2.24	7.90	2.26	8.45	2.31	8.81	2.34
	32	7.21	2.11	7.58	2.13	7.94	2.18	8.12	2.19	8.66	2.25	9.04	2.28
	25	7.73	1.92	8.09	1.95	8.46	2.00	8.64	2.00	9.18	2.07	9.55	2.09
	22	7.95	1.85	8.31	1.87	8.68	1.92	8.86	1.92	9.40	2.00	9.77	2.01
18+10+10+07	46	6.18	2.47	6.55	2.51	6.91	2.54	7.09	2.57	7.64	2.61	8.01	2.65
	43	6.40	2.39	6.77	2.43	7.13	2.46	7.31	2.48	7.86	2.54	8.23	2.57
	40	6.62	2.32	6.99	2.35	7.35	2.39	7.54	2.40	8.08	2.46	8.45	2.49
	35	6.99	2.17	7.35	2.20	7.72	2.24	7.90	2.26	8.45	2.31	8.81	2.34
	32	7.21	2.11	7.58	2.13	7.94	2.18	8.12	2.19	8.66	2.25	9.04	2.28
	25	7.73	1.92	8.09	1.95	8.46	2.00	8.64	2.00	9.18	2.07	9.55	2.09
	22	7.95	1.85	8.31	1.87	8.68	1.92	8.86	1.92	9.40	2.00	9.77	2.01
22+10+10+07	46	6.18	2.47	6.55	2.51	6.91	2.54	7.09	2.57	7.64	2.61	8.01	2.65
	43	6.40	2.39	6.77	2.43	7.13	2.46	7.31	2.48	7.86	2.54	8.23	2.57
	40	6.62	2.32	6.99	2.35	7.35	2.39	7.54	2.40	8.08	2.46	8.45	2.49
	35	6.99	2.17	7.35	2.20	7.72	2.24	7.90	2.26	8.45	2.31	8.81	2.34
	32	7.21	2.11	7.58	2.13	7.94	2.18	8.12	2.19	8.66	2.25	9.04	2.28
	25	7.73	1.92	8.09	1.95	8.46	2.00	8.64	2.00	9.18	2.07	9.55	2.09
	22	7.95	1.85	8.31	1.87	8.68	1.92	8.86	1.92	9.40	2.00	9.77	2.01
24+10+10+07	46	6.18	2.47	6.55	2.51	6.91	2.54	7.09	2.57	7.64	2.61	8.01	2.65
	43	6.40	2.39	6.77	2.43	7.13	2.46	7.31	2.48	7.86	2.54	8.23	2.57
	40	6.62	2.32	6.99	2.35	7.35	2.39	7.54	2.40	8.08	2.46	8.45	2.49
	35	6.99	2.17	7.35	2.20	7.72	2.24	7.90	2.26	8.45	2.31	8.81	2.34
	32	7.21	2.11	7.58	2.13	7.94	2.18	8.12	2.19	8.66	2.25	9.04	2.28
	25	7.73	1.92	8.09	1.95	8.46	2.00	8.64	2.00	9.18	2.07	9.55	2.09
	22	7.95	1.85	8.31	1.87	8.68	1.92	8.86	1.92	9.40	2.00	9.77	2.01
13+13+10+07	46	6.18	2.47	6.55	2.51	6.91	2.54	7.09	2.57	7.64	2.61	8.01	2.65
	43	6.40	2.39	6.77	2.43	7.13	2.46	7.31	2.48	7.86	2.54	8.23	2.57
	40	6.62	2.32	6.99	2.35	7.35	2.39	7.54	2.40	8.08	2.46	8.45	2.49
	35	6.99	2.17	7.35	2.20	7.72	2.24	7.90	2.26	8.45	2.31	8.81	2.34
	32	7.21	2.11	7.58	2.13	7.94	2.18	8.12	2.19	8.66	2.25	9.04	2.28
	25	7.73	1.92	8.09	1.95	8.46	2.00	8.64	2.00	9.18	2.07	9.55	2.09
	22	7.95	1.85	8.31	1.87	8.68	1.92	8.86	1.92	9.40	2.00	9.77	2.01

TC : Total capacity[kW]

PI : Power input [kW]

Cooling(230V/50Hz)

Combination (Capacity)	Outdoor air temp. [C DB]	Indoor air temp. [C WB]											
		14		16		18		19		22		24	
		TC [kW]	PI [kW]	TC [kW]	PI [kW]	TC [kW]	PI [kW]	TC [kW]	PI [kW]	TC [kW]	PI [kW]	TC [kW]	PI [kW]
16+13+10+07	46	6.18	2.47	6.55	2.51	6.91	2.54	7.09	2.57	7.64	2.61	8.01	2.65
	43	6.40	2.39	6.77	2.43	7.13	2.46	7.31	2.48	7.86	2.54	8.23	2.57
	40	6.62	2.32	6.99	2.35	7.35	2.39	7.54	2.40	8.08	2.46	8.45	2.49
	35	6.99	2.17	7.35	2.20	7.72	2.24	7.90	2.26	8.45	2.31	8.81	2.34
	32	7.21	2.11	7.58	2.13	7.94	2.18	8.12	2.19	8.66	2.25	9.04	2.28
	25	7.73	1.92	8.09	1.95	8.46	2.00	8.64	2.00	9.18	2.07	9.55	2.09
	22	7.95	1.85	8.31	1.87	8.68	1.92	8.86	1.92	9.40	2.00	9.77	2.01
18+13+10+07	46	6.18	2.47	6.55	2.51	6.91	2.54	7.09	2.57	7.64	2.61	8.01	2.65
	43	6.40	2.39	6.77	2.43	7.13	2.46	7.31	2.48	7.86	2.54	8.23	2.57
	40	6.62	2.32	6.99	2.35	7.35	2.39	7.54	2.40	8.08	2.46	8.45	2.49
	35	6.99	2.17	7.35	2.20	7.72	2.24	7.90	2.26	8.45	2.31	8.81	2.34
	32	7.21	2.11	7.58	2.13	7.94	2.18	8.12	2.19	8.66	2.25	9.04	2.28
	25	7.73	1.92	8.09	1.95	8.46	2.00	8.64	2.00	9.18	2.07	9.55	2.09
	22	7.95	1.85	8.31	1.87	8.68	1.92	8.86	1.92	9.40	2.00	9.77	2.01
22+13+10+07	46	6.26	2.50	6.63	2.54	7.00	2.57	7.18	2.60	7.74	2.65	8.11	2.69
	43	6.48	2.43	6.85	2.46	7.22	2.50	7.41	2.52	7.96	2.57	8.33	2.61
	40	6.71	2.35	7.08	2.38	7.44	2.42	7.63	2.44	8.18	2.49	8.55	2.52
	35	7.08	2.20	7.44	2.23	7.81	2.27	8.00	2.29	8.55	2.34	8.92	2.37
	32	7.30	2.13	7.67	2.16	8.04	2.21	8.23	2.22	8.77	2.28	9.15	2.31
	25	7.82	1.95	8.19	1.97	8.56	2.03	8.75	2.03	9.29	2.10	9.67	2.12
	22	8.05	1.87	8.42	1.89	8.79	1.95	8.97	1.95	9.52	2.02	9.89	2.04
24+13+10+07	46	6.26	2.50	6.63	2.54	7.00	2.57	7.18	2.60	7.74	2.65	8.11	2.69
	43	6.48	2.43	6.85	2.46	7.22	2.50	7.41	2.52	7.96	2.57	8.33	2.61
	40	6.71	2.35	7.08	2.38	7.44	2.42	7.63	2.44	8.18	2.49	8.55	2.52
	35	7.08	2.20	7.44	2.23	7.81	2.27	8.00	2.29	8.55	2.34	8.92	2.37
	32	7.30	2.13	7.67	2.16	8.04	2.21	8.23	2.22	8.77	2.28	9.15	2.31
	25	7.82	1.95	8.19	1.97	8.56	2.03	8.75	2.03	9.29	2.10	9.67	2.12
	22	8.05	1.87	8.42	1.89	8.79	1.95	8.97	1.95	9.52	2.02	9.89	2.04
16+16+10+07	46	6.18	2.47	6.55	2.51	6.91	2.54	7.09	2.57	7.64	2.61	8.01	2.65
	43	6.40	2.39	6.77	2.43	7.13	2.46	7.31	2.48	7.86	2.54	8.23	2.57
	40	6.62	2.32	6.99	2.35	7.35	2.39	7.54	2.40	8.08	2.46	8.45	2.49
	35	6.99	2.17	7.35	2.20	7.72	2.24	7.90	2.26	8.45	2.31	8.81	2.34
	32	7.21	2.11	7.58	2.13	7.94	2.18	8.12	2.19	8.66	2.25	9.04	2.28
	25	7.73	1.92	8.09	1.95	8.46	2.00	8.64	2.00	9.18	2.07	9.55	2.09
	22	7.95	1.85	8.31	1.87	8.68	1.92	8.86	1.92	9.40	2.00	9.77	2.01
18+16+10+07	46	6.18	2.47	6.55	2.51	6.91	2.54	7.09	2.57	7.64	2.61	8.01	2.65
	43	6.40	2.39	6.77	2.43	7.13	2.46	7.31	2.48	7.86	2.54	8.23	2.57
	40	6.62	2.32	6.99	2.35	7.35	2.39	7.54	2.40	8.08	2.46	8.45	2.49
	35	6.99	2.17	7.35	2.20	7.72	2.24	7.90	2.26	8.45	2.31	8.81	2.34
	32	7.21	2.11	7.58	2.13	7.94	2.18	8.12	2.19	8.66	2.25	9.04	2.28
	25	7.73	1.92	8.09	1.95	8.46	2.00	8.64	2.00	9.18	2.07	9.55	2.09
	22	7.95	1.85	8.31	1.87	8.68	1.92	8.86	1.92	9.40	2.00	9.77	2.01
18+18+10+07	46	6.26	2.50	6.63	2.54	7.00	2.57	7.18	2.60	7.74	2.65	8.11	2.69
	43	6.48	2.43	6.85	2.46	7.22	2.50	7.41	2.52	7.96	2.57	8.33	2.61
	40	6.71	2.35	7.08	2.38	7.44	2.42	7.63	2.44	8.18	2.49	8.55	2.52
	35	7.08	2.20	7.44	2.23	7.81	2.27	8.00	2.29	8.55	2.34	8.92	2.37
	32	7.30	2.13	7.67	2.16	8.04	2.21	8.23	2.22	8.77	2.28	9.15	2.31
	25	7.82	1.95	8.19	1.97	8.56	2.03	8.75	2.03	9.29	2.10	9.67	2.12
	22	8.05	1.87	8.42	1.89	8.79	1.95	8.97	1.95	9.52	2.02	9.89	2.04

TC : Total capacity[kW]

PI : Power input [kW]

Cooling(230V/50Hz)

Combination (Capacity)	Outdoor air temp. [C DB]	Indoor air temp. [C WB]											
		14		16		18		19		22		24	
		TC [kW]	PI [kW]	TC [kW]	PI [kW]	TC [kW]	PI [kW]	TC [kW]	PI [kW]	TC [kW]	PI [kW]	TC [kW]	PI [kW]
13+13+13+07	46	6.18	2.47	6.55	2.51	6.91	2.54	7.09	2.57	7.64	2.61	8.01	2.65
	43	6.40	2.39	6.77	2.43	7.13	2.46	7.31	2.48	7.86	2.54	8.23	2.57
	40	6.62	2.32	6.99	2.35	7.35	2.39	7.54	2.40	8.08	2.46	8.45	2.49
	35	6.99	2.17	7.35	2.20	7.72	2.24	7.90	2.26	8.45	2.31	8.81	2.34
	32	7.21	2.11	7.58	2.13	7.94	2.18	8.12	2.19	8.66	2.25	9.04	2.28
	25	7.73	1.92	8.09	1.95	8.46	2.00	8.64	2.00	9.18	2.07	9.55	2.09
	22	7.95	1.85	8.31	1.87	8.68	1.92	8.86	1.92	9.40	2.00	9.77	2.01
16+13+13+07	46	6.18	2.47	6.55	2.51	6.91	2.54	7.09	2.57	7.64	2.61	8.01	2.65
	43	6.40	2.39	6.77	2.43	7.13	2.46	7.31	2.48	7.86	2.54	8.23	2.57
	40	6.62	2.32	6.99	2.35	7.35	2.39	7.54	2.40	8.08	2.46	8.45	2.49
	35	6.99	2.17	7.35	2.20	7.72	2.24	7.90	2.26	8.45	2.31	8.81	2.34
	32	7.21	2.11	7.58	2.13	7.94	2.18	8.12	2.19	8.66	2.25	9.04	2.28
	25	7.73	1.92	8.09	1.95	8.46	2.00	8.64	2.00	9.18	2.07	9.55	2.09
	22	7.95	1.85	8.31	1.87	8.68	1.92	8.86	1.92	9.40	2.00	9.77	2.01
18+13+13+07	46	6.18	2.47	6.55	2.51	6.91	2.54	7.09	2.57	7.64	2.61	8.01	2.65
	43	6.40	2.39	6.77	2.43	7.13	2.46	7.31	2.48	7.86	2.54	8.23	2.57
	40	6.62	2.32	6.99	2.35	7.35	2.39	7.54	2.40	8.08	2.46	8.45	2.49
	35	6.99	2.17	7.35	2.20	7.72	2.24	7.90	2.26	8.45	2.31	8.81	2.34
	32	7.21	2.11	7.58	2.13	7.94	2.18	8.12	2.19	8.66	2.25	9.04	2.28
	25	7.73	1.92	8.09	1.95	8.46	2.00	8.64	2.00	9.18	2.07	9.55	2.09
	22	7.95	1.85	8.31	1.87	8.68	1.92	8.86	1.92	9.40	2.00	9.77	2.01
16+16+13+07	46	6.26	2.50	6.63	2.54	7.00	2.57	7.18	2.60	7.74	2.65	8.11	2.69
	43	6.48	2.43	6.85	2.46	7.22	2.50	7.41	2.52	7.96	2.57	8.33	2.61
	40	6.71	2.35	7.08	2.38	7.44	2.42	7.63	2.44	8.18	2.49	8.55	2.52
	35	7.08	2.20	7.44	2.23	7.81	2.27	8.00	2.29	8.55	2.34	8.92	2.37
	32	7.30	2.13	7.67	2.16	8.04	2.21	8.23	2.22	8.77	2.28	9.15	2.31
	25	7.82	1.95	8.19	1.97	8.56	2.03	8.75	2.03	9.29	2.10	9.67	2.12
	22	8.05	1.87	8.42	1.89	8.79	1.95	8.97	1.95	9.52	2.02	9.89	2.04
18+16+13+07	46	6.26	2.50	6.63	2.54	7.00	2.57	7.18	2.60	7.74	2.65	8.11	2.69
	43	6.48	2.43	6.85	2.46	7.22	2.50	7.41	2.52	7.96	2.57	8.33	2.61
	40	6.71	2.35	7.08	2.38	7.44	2.42	7.63	2.44	8.18	2.49	8.55	2.52
	35	7.08	2.20	7.44	2.23	7.81	2.27	8.00	2.29	8.55	2.34	8.92	2.37
	32	7.30	2.13	7.67	2.16	8.04	2.21	8.23	2.22	8.77	2.28	9.15	2.31
	25	7.82	1.95	8.19	1.97	8.56	2.03	8.75	2.03	9.29	2.10	9.67	2.12
	22	8.05	1.87	8.42	1.89	8.79	1.95	8.97	1.95	9.52	2.02	9.89	2.04
10+10+10+10	46	6.18	2.47	6.55	2.51	6.91	2.54	7.09	2.57	7.64	2.61	8.01	2.65
	43	6.40	2.39	6.77	2.43	7.13	2.46	7.31	2.48	7.86	2.54	8.23	2.57
	40	6.62	2.32	6.99	2.35	7.35	2.39	7.54	2.40	8.08	2.46	8.45	2.49
	35	6.99	2.17	7.35	2.20	7.72	2.24	7.90	2.26	8.45	2.31	8.81	2.34
	32	7.21	2.11	7.58	2.13	7.94	2.18	8.12	2.19	8.66	2.25	9.04	2.28
	25	7.73	1.92	8.09	1.95	8.46	2.00	8.64	2.00	9.18	2.07	9.55	2.09
	22	7.95	1.85	8.31	1.87	8.68	1.92	8.86	1.92	9.40	2.00	9.77	2.01
13+10+10+10	46	6.18	2.47	6.55	2.51	6.91	2.54	7.09	2.57	7.64	2.61	8.01	2.65
	43	6.40	2.39	6.77	2.43	7.13	2.46	7.31	2.48	7.86	2.54	8.23	2.57
	40	6.62	2.32	6.99	2.35	7.35	2.39	7.54	2.40	8.08	2.46	8.45	2.49
	35	6.99	2.17	7.35	2.20	7.72	2.24	7.90	2.26	8.45	2.31	8.81	2.34
	32	7.21	2.11	7.58	2.13	7.94	2.18	8.12	2.19	8.66	2.25	9.04	2.28
	25	7.73	1.92	8.09	1.95	8.46	2.00	8.64	2.00	9.18	2.07	9.55	2.09
	22	7.95	1.85	8.31	1.87	8.68	1.92	8.86	1.92	9.40	2.00	9.77	2.01

TC : Total capacity[kW]

PI : Power input [kW]

Cooling(230V/50Hz)

Combination (Capacity)	Outdoor air temp. [C DB]	Indoor air temp. [C WB]											
		14		16		18		19		22		24	
		TC [kW]	PI [kW]	TC [kW]	PI [kW]	TC [kW]	PI [kW]	TC [kW]	PI [kW]	TC [kW]	PI [kW]	TC [kW]	PI [kW]
16+10+10+10	46	6.18	2.47	6.55	2.51	6.91	2.54	7.09	2.57	7.64	2.61	8.01	2.65
	43	6.40	2.39	6.77	2.43	7.13	2.46	7.31	2.48	7.86	2.54	8.23	2.57
	40	6.62	2.32	6.99	2.35	7.35	2.39	7.54	2.40	8.08	2.46	8.45	2.49
	35	6.99	2.17	7.35	2.20	7.72	2.24	7.90	2.26	8.45	2.31	8.81	2.34
	32	7.21	2.11	7.58	2.13	7.94	2.18	8.12	2.19	8.66	2.25	9.04	2.28
	25	7.73	1.92	8.09	1.95	8.46	2.00	8.64	2.00	9.18	2.07	9.55	2.09
	22	7.95	1.85	8.31	1.87	8.68	1.92	8.86	1.92	9.40	2.00	9.77	2.01
18+10+10+10	46	6.18	2.47	6.55	2.51	6.91	2.54	7.09	2.57	7.64	2.61	8.01	2.65
	43	6.40	2.39	6.77	2.43	7.13	2.46	7.31	2.48	7.86	2.54	8.23	2.57
	40	6.62	2.32	6.99	2.35	7.35	2.39	7.54	2.40	8.08	2.46	8.45	2.49
	35	6.99	2.17	7.35	2.20	7.72	2.24	7.90	2.26	8.45	2.31	8.81	2.34
	32	7.21	2.11	7.58	2.13	7.94	2.18	8.12	2.19	8.66	2.25	9.04	2.28
	25	7.73	1.92	8.09	1.95	8.46	2.00	8.64	2.00	9.18	2.07	9.55	2.09
	22	7.95	1.85	8.31	1.87	8.68	1.92	8.86	1.92	9.40	2.00	9.77	2.01
22+10+10+10	46	6.26	2.50	6.63	2.54	7.00	2.57	7.18	2.60	7.74	2.65	8.11	2.69
	43	6.48	2.43	6.85	2.46	7.22	2.50	7.41	2.52	7.96	2.57	8.33	2.61
	40	6.71	2.35	7.08	2.38	7.44	2.42	7.63	2.44	8.18	2.49	8.55	2.52
	35	7.08	2.20	7.44	2.23	7.81	2.27	8.00	2.29	8.55	2.34	8.92	2.37
	32	7.30	2.13	7.67	2.16	8.04	2.21	8.23	2.22	8.77	2.28	9.15	2.31
	25	7.82	1.95	8.19	1.97	8.56	2.03	8.75	2.03	9.29	2.10	9.67	2.12
	22	8.05	1.87	8.42	1.89	8.79	1.95	8.97	1.95	9.52	2.02	9.89	2.04
24+10+10+10	46	6.26	2.50	6.63	2.54	7.00	2.57	7.18	2.60	7.74	2.65	8.11	2.69
	43	6.48	2.43	6.85	2.46	7.22	2.50	7.41	2.52	7.96	2.57	8.33	2.61
	40	6.71	2.35	7.08	2.38	7.44	2.42	7.63	2.44	8.18	2.49	8.55	2.52
	35	7.08	2.20	7.44	2.23	7.81	2.27	8.00	2.29	8.55	2.34	8.92	2.37
	32	7.30	2.13	7.67	2.16	8.04	2.21	8.23	2.22	8.77	2.28	9.15	2.31
	25	7.82	1.95	8.19	1.97	8.56	2.03	8.75	2.03	9.29	2.10	9.67	2.12
	22	8.05	1.87	8.42	1.89	8.79	1.95	8.97	1.95	9.52	2.02	9.89	2.04
13+13+10+10	46	6.18	2.47	6.55	2.51	6.91	2.54	7.09	2.57	7.64	2.61	8.01	2.65
	43	6.40	2.39	6.77	2.43	7.13	2.46	7.31	2.48	7.86	2.54	8.23	2.57
	40	6.62	2.32	6.99	2.35	7.35	2.39	7.54	2.40	8.08	2.46	8.45	2.49
	35	6.99	2.17	7.35	2.20	7.72	2.24	7.90	2.26	8.45	2.31	8.81	2.34
	32	7.21	2.11	7.58	2.13	7.94	2.18	8.12	2.19	8.66	2.25	9.04	2.28
	25	7.73	1.92	8.09	1.95	8.46	2.00	8.64	2.00	9.18	2.07	9.55	2.09
	22	7.95	1.85	8.31	1.87	8.68	1.92	8.86	1.92	9.40	2.00	9.77	2.01
16+13+10+10	46	6.18	2.47	6.55	2.51	6.91	2.54	7.09	2.57	7.64	2.61	8.01	2.65
	43	6.40	2.39	6.77	2.43	7.13	2.46	7.31	2.48	7.86	2.54	8.23	2.57
	40	6.62	2.32	6.99	2.35	7.35	2.39	7.54	2.40	8.08	2.46	8.45	2.49
	35	6.99	2.17	7.35	2.20	7.72	2.24	7.90	2.26	8.45	2.31	8.81	2.34
	32	7.21	2.11	7.58	2.13	7.94	2.18	8.12	2.19	8.66	2.25	9.04	2.28
	25	7.73	1.92	8.09	1.95	8.46	2.00	8.64	2.00	9.18	2.07	9.55	2.09
	22	7.95	1.85	8.31	1.87	8.68	1.92	8.86	1.92	9.40	2.00	9.77	2.01
16+16+10+10	46	6.26	2.50	6.63	2.54	7.00	2.57	7.18	2.60	7.74	2.65	8.11	2.69
	43	6.48	2.43	6.85	2.46	7.22	2.50	7.41	2.52	7.96	2.57	8.33	2.61
	40	6.71	2.35	7.08	2.38	7.44	2.42	7.63	2.44	8.18	2.49	8.55	2.52
	35	7.08	2.20	7.44	2.23	7.81	2.27	8.00	2.29	8.55	2.34	8.92	2.37
	32	7.30	2.13	7.67	2.16	8.04	2.21	8.23	2.22	8.77	2.28	9.15	2.31
	25	7.82	1.95	8.19	1.97	8.56	2.03	8.75	2.03	9.29	2.10	9.67	2.12
	22	8.05	1.87	8.42	1.89	8.79	1.95	8.97	1.95	9.52	2.02	9.89	2.04

TC : Total capacity[kW]

PI : Power input [kW]

Cooling(230V/50Hz)

Combination (Capacity)	Outdoor air temp. [C DB]	Indoor air temp. [C WB]											
		14		16		18		19		22		24	
		TC [kW]	PI [kW]	TC [kW]	PI [kW]	TC [kW]	PI [kW]	TC [kW]	PI [kW]	TC [kW]	PI [kW]	TC [kW]	PI [kW]
18+13+10+10	46	6.18	2.47	6.55	2.51	6.91	2.54	7.09	2.57	7.64	2.61	8.01	2.65
	43	6.40	2.39	6.77	2.43	7.13	2.46	7.31	2.48	7.86	2.54	8.23	2.57
	40	6.62	2.32	6.99	2.35	7.35	2.39	7.54	2.40	8.08	2.46	8.45	2.49
	35	6.99	2.17	7.35	2.20	7.72	2.24	7.90	2.26	8.45	2.31	8.81	2.34
	32	7.21	2.11	7.58	2.13	7.94	2.18	8.12	2.19	8.66	2.25	9.04	2.28
	25	7.73	1.92	8.09	1.95	8.46	2.00	8.64	2.00	9.18	2.07	9.55	2.09
	22	7.95	1.85	8.31	1.87	8.68	1.92	8.86	1.92	9.40	2.00	9.77	2.01
18+16+10+10	46	6.26	2.50	6.63	2.54	7.00	2.57	7.18	2.60	7.74	2.65	8.11	2.69
	43	6.48	2.43	6.85	2.46	7.22	2.50	7.41	2.52	7.96	2.57	8.33	2.61
	40	6.71	2.35	7.08	2.38	7.44	2.42	7.63	2.44	8.18	2.49	8.55	2.52
	35	7.08	2.20	7.44	2.23	7.81	2.27	8.00	2.29	8.55	2.34	8.92	2.37
	32	7.30	2.13	7.67	2.16	8.04	2.21	8.23	2.22	8.77	2.28	9.15	2.31
	25	7.82	1.95	8.19	1.97	8.56	2.03	8.75	2.03	9.29	2.10	9.67	2.12
	22	8.05	1.87	8.42	1.89	8.79	1.95	8.97	1.95	9.52	2.02	9.89	2.04
13+13+13+10	46	6.18	2.47	6.55	2.51	6.91	2.54	7.09	2.57	7.64	2.61	8.01	2.65
	43	6.40	2.39	6.77	2.43	7.13	2.46	7.31	2.48	7.86	2.54	8.23	2.57
	40	6.62	2.32	6.99	2.35	7.35	2.39	7.54	2.40	8.08	2.46	8.45	2.49
	35	6.99	2.17	7.35	2.20	7.72	2.24	7.90	2.26	8.45	2.31	8.81	2.34
	32	7.21	2.11	7.58	2.13	7.94	2.18	8.12	2.19	8.66	2.25	9.04	2.28
	25	7.73	1.92	8.09	1.95	8.46	2.00	8.64	2.00	9.18	2.07	9.55	2.09
	22	7.95	1.85	8.31	1.87	8.68	1.92	8.86	1.92	9.40	2.00	9.77	2.01
16+13+13+10	46	6.26	2.50	6.63	2.54	7.00	2.57	7.18	2.60	7.74	2.65	8.11	2.69
	43	6.48	2.43	6.85	2.46	7.22	2.50	7.41	2.52	7.96	2.57	8.33	2.61
	40	6.71	2.35	7.08	2.38	7.44	2.42	7.63	2.44	8.18	2.49	8.55	2.52
	35	7.08	2.20	7.44	2.23	7.81	2.27	8.00	2.29	8.55	2.34	8.92	2.37
	32	7.30	2.13	7.67	2.16	8.04	2.21	8.23	2.22	8.77	2.28	9.15	2.31
	25	7.82	1.95	8.19	1.97	8.56	2.03	8.75	2.03	9.29	2.10	9.67	2.12
	22	8.05	1.87	8.42	1.89	8.79	1.95	8.97	1.95	9.52	2.02	9.89	2.04
18+13+13+10	46	6.26	2.50	6.63	2.54	7.00	2.57	7.18	2.60	7.74	2.65	8.11	2.69
	43	6.48	2.43	6.85	2.46	7.22	2.50	7.41	2.52	7.96	2.57	8.33	2.61
	40	6.71	2.35	7.08	2.38	7.44	2.42	7.63	2.44	8.18	2.49	8.55	2.52
	35	7.08	2.20	7.44	2.23	7.81	2.27	8.00	2.29	8.55	2.34	8.92	2.37
	32	7.30	2.13	7.67	2.16	8.04	2.21	8.23	2.22	8.77	2.28	9.15	2.31
	25	7.82	1.95	8.19	1.97	8.56	2.03	8.75	2.03	9.29	2.10	9.67	2.12
	22	8.05	1.87	8.42	1.89	8.79	1.95	8.97	1.95	9.52	2.02	9.89	2.04
13+13+13+13	46	6.26	2.50	6.63	2.54	7.00	2.57	7.18	2.60	7.74	2.65	8.11	2.69
	43	6.48	2.43	6.85	2.46	7.22	2.50	7.41	2.52	7.96	2.57	8.33	2.61
	40	6.71	2.35	7.08	2.38	7.44	2.42	7.63	2.44	8.18	2.49	8.55	2.52
	35	7.08	2.20	7.44	2.23	7.81	2.27	8.00	2.29	8.55	2.34	8.92	2.37
	32	7.30	2.13	7.67	2.16	8.04	2.21	8.23	2.22	8.77	2.28	9.15	2.31
	25	7.82	1.95	8.19	1.97	8.56	2.03	8.75	2.03	9.29	2.10	9.67	2.12
	22	8.05	1.87	8.42	1.89	8.79	1.95	8.97	1.95	9.52	2.02	9.89	2.04

TC : Total capacity[kW]

PI : Power input [kW]

Heating(230V/50Hz)

Combination (Capacity)	Outdoor air temp. [C DB]	Indoor air temp. [C WB]											
		16		18		20		21		22		24	
		TC [kW]	PI [kW]	TC [kW]	PI [kW]	TC [kW]	PI [kW]	TC [kW]	PI [kW]	TC [kW]	PI [kW]	TC [kW]	PI [kW]
7	15	3.32	0.95	3.29	0.96	3.25	0.97	3.23	0.97	3.21	0.97	3.17	0.98
	10	3.02	0.92	2.98	0.93	2.94	0.93	2.92	0.94	2.91	0.94	2.87	0.95
	6	2.77	0.88	2.74	0.89	2.70	0.90	2.68	0.90	2.66	0.91	2.62	0.92
	0	2.41	0.84	2.37	0.85	2.33	0.86	2.32	0.86	2.30	0.86	2.26	0.87
	-5	2.10	0.80	2.07	0.81	2.03	0.82	2.01	0.82	1.99	0.83	1.96	0.84
	-10	1.80	0.77	1.76	0.77	1.73	0.78	1.71	0.78	1.69	0.78	1.65	0.79
	-15	1.49	0.73	1.46	0.74	1.42	0.74	1.40	0.75	1.38	0.75	1.35	0.76
10	15	4.92	1.53	4.87	1.54	4.81	1.56	4.79	1.56	4.76	1.56	4.70	1.57
	10	4.47	1.48	4.42	1.49	4.36	1.50	4.33	1.51	4.31	1.51	4.25	1.53
	6	4.11	1.42	4.05	1.43	4.00	1.45	3.97	1.46	3.94	1.46	3.89	1.48
	0	3.57	1.35	3.51	1.36	3.46	1.38	3.43	1.39	3.40	1.39	3.35	1.41
	-5	3.12	1.29	3.06	1.30	3.01	1.32	2.98	1.33	2.95	1.33	2.90	1.35
	-10	2.67	1.23	2.61	1.24	2.56	1.26	2.53	1.26	2.50	1.26	2.44	1.27
	-15	2.21	1.18	2.16	1.19	2.10	1.20	2.08	1.21	2.05	1.21	1.99	1.23
13	15	6.15	2.17	6.09	2.18	6.02	2.20	5.98	2.20	5.95	2.21	5.88	2.22
	10	5.59	2.09	5.52	2.11	5.45	2.12	5.42	2.13	5.38	2.14	5.31	2.16
	6	5.14	2.01	5.07	2.03	5.00	2.05	4.96	2.06	4.93	2.07	4.86	2.09
	0	4.46	1.91	4.39	1.93	4.32	1.95	4.29	1.96	4.26	1.97	4.19	1.99
	-5	3.90	1.82	3.83	1.84	3.76	1.87	3.73	1.87	3.69	1.88	3.62	1.90
	-10	3.33	1.74	3.26	1.76	3.19	1.78	3.16	1.78	3.12	1.79	3.06	1.80
	-15	2.77	1.67	2.70	1.68	2.63	1.70	2.60	1.71	2.56	1.72	2.49	1.73
16	15	6.77	2.54	6.69	2.56	6.62	2.58	6.58	2.58	6.54	2.59	6.47	2.60
	10	6.15	2.45	6.07	2.47	6.00	2.48	5.96	2.50	5.92	2.51	5.84	2.53
	6	5.65	2.35	5.58	2.38	5.50	2.40	5.46	2.41	5.42	2.42	5.35	2.44
	0	4.91	2.23	4.83	2.26	4.76	2.28	4.72	2.29	4.68	2.30	4.60	2.33
	-5	4.29	2.14	4.21	2.16	4.13	2.18	4.10	2.19	4.06	2.20	3.98	2.23
	-10	3.67	2.04	3.59	2.06	3.51	2.08	3.48	2.08	3.44	2.09	3.36	2.11
	-15	3.05	1.95	2.97	1.97	2.89	1.99	2.86	2.00	2.82	2.01	2.74	2.03
18	15	7.38	2.78	7.30	2.80	7.22	2.83	7.18	2.83	7.14	2.84	7.05	2.85
	10	6.71	2.68	6.62	2.70	6.54	2.72	6.50	2.74	6.46	2.75	6.37	2.77
	6	6.17	2.58	6.08	2.60	6.00	2.63	5.96	2.64	5.92	2.65	5.83	2.68
	0	5.35	2.45	5.27	2.47	5.19	2.50	5.15	2.51	5.11	2.52	5.02	2.55
	-5	4.68	2.34	4.59	2.37	4.51	2.39	4.47	2.40	4.43	2.42	4.35	2.44
	-10	4.00	2.24	3.92	2.26	3.83	2.28	3.79	2.28	3.75	2.29	3.67	2.31
	-15	3.32	2.14	3.24	2.16	3.16	2.18	3.11	2.19	3.07	2.20	2.99	2.22
22	15	8.62	2.77	8.52	2.79	8.42	2.82	8.37	2.82	8.33	2.83	8.23	2.84
	10	7.82	2.67	7.73	2.69	7.63	2.71	7.58	2.73	7.53	2.74	7.44	2.76
	6	7.19	2.57	7.10	2.59	7.00	2.62	6.95	2.63	6.90	2.64	6.81	2.67
	0	6.25	2.44	6.15	2.46	6.05	2.49	6.01	2.50	5.96	2.52	5.86	2.54
	-5	5.46	2.33	5.36	2.36	5.26	2.38	5.22	2.39	5.17	2.41	5.07	2.43
	-10	4.67	2.23	4.57	2.25	4.47	2.28	4.42	2.27	4.37	2.28	4.28	2.30
	-15	3.88	2.13	3.78	2.15	3.68	2.17	3.63	2.18	3.59	2.19	3.49	2.22
24	15	9.97	3.26	9.86	3.28	9.74	3.31	9.69	3.31	9.63	3.32	9.52	3.34
	10	9.05	3.14	8.94	3.17	8.83	3.18	8.77	3.20	8.72	3.22	8.61	3.24
	6	8.32	3.02	8.21	3.05	8.10	3.08	8.04	3.09	7.99	3.11	7.87	3.14
	0	7.23	2.87	7.12	2.90	7.00	2.93	6.95	2.94	6.89	2.96	6.78	2.99
	-5	6.31	2.74	6.20	2.77	6.09	2.80	6.04	2.81	5.98	2.83	5.87	2.86
	-10	5.40	2.62	5.29	2.64	5.18	2.67	5.12	2.67	5.06	2.68	4.95	2.71
	-15	4.48	2.51	4.37	2.53	4.26	2.55	4.20	2.57	4.15	2.58	4.04	2.61

TC : Total capacity[kW]

PI : Power input [kW]

Heating(230V/50Hz)

Combination (Capacity)	Outdoor air temp. [C DB]	Indoor air temp. [C WB]											
		16		18		20		21		22		24	
		TC [kW]	PI [kW]	TC [kW]	PI [kW]	TC [kW]	PI [kW]	TC [kW]	PI [kW]	TC [kW]	PI [kW]	TC [kW]	PI [kW]
07+07	15	6.65	2.17	6.57	2.18	6.50	2.20	6.46	2.20	6.42	2.21	6.35	2.22
	10	6.04	2.09	5.96	2.11	5.89	2.12	5.85	2.13	5.81	2.14	5.74	2.16
	6	5.55	2.01	5.47	2.03	5.40	2.05	5.36	2.06	5.32	2.07	5.25	2.09
	0	4.82	1.91	4.74	1.93	4.67	1.95	4.63	1.96	4.60	1.97	4.52	1.99
	-5	4.21	1.82	4.14	1.84	4.06	1.87	4.02	1.87	3.99	1.88	3.91	1.90
	-10	3.60	1.74	3.52	1.76	3.45	1.78	3.41	1.78	3.37	1.79	3.30	1.80
	-15	2.99	1.67	2.92	1.68	2.84	1.70	2.80	1.71	2.77	1.72	2.69	1.73
10+07	15	8.25	2.20	8.15	2.21	8.06	2.24	8.02	2.24	7.97	2.24	7.88	2.26
	10	7.49	2.12	7.40	2.14	7.30	2.15	7.26	2.16	7.21	2.17	7.12	2.19
	6	6.88	2.04	6.79	2.06	6.70	2.08	6.65	2.09	6.61	2.10	6.51	2.12
	0	5.98	1.94	5.89	1.96	5.79	1.98	5.75	1.99	5.70	2.00	5.61	2.02
	-5	5.22	1.85	5.13	1.87	5.04	1.89	4.99	1.90	4.95	1.91	4.85	1.93
	-10	4.47	1.77	4.37	1.78	4.28	1.81	4.23	1.81	4.19	1.81	4.09	1.83
	-15	3.71	1.69	3.62	1.71	3.53	1.72	3.48	1.73	3.43	1.74	3.34	1.76
13+07	15	9.11	2.45	9.01	2.47	8.90	2.49	8.85	2.49	8.80	2.50	8.70	2.52
	10	8.27	2.37	8.17	2.39	8.07	2.40	8.02	2.41	7.96	2.42	7.86	2.44
	6	7.60	2.27	7.50	2.30	7.40	2.32	7.35	2.33	7.30	2.34	7.19	2.36
	0	6.60	2.16	6.50	2.18	6.40	2.21	6.35	2.22	6.30	2.23	6.20	2.25
	-5	5.77	2.06	5.67	2.09	5.56	2.11	5.51	2.12	5.46	2.13	5.36	2.15
	-10	4.93	1.97	4.83	1.99	4.73	2.01	4.68	2.01	4.62	2.02	4.52	2.04
	-15	4.10	1.89	3.99	1.91	3.89	1.92	3.84	1.93	3.79	1.94	3.69	1.96
16+07	15	9.35	2.62	9.25	2.64	9.14	2.67	9.09	2.67	9.04	2.67	8.94	2.69
	10	8.50	2.53	8.39	2.55	8.29	2.56	8.23	2.58	8.18	2.59	8.07	2.61
	6	7.81	2.43	7.70	2.45	7.60	2.48	7.55	2.49	7.49	2.50	7.39	2.53
	0	6.78	2.31	6.68	2.33	6.57	2.36	6.52	2.37	6.47	2.38	6.36	2.40
	-5	5.92	2.21	5.82	2.23	5.71	2.26	5.66	2.27	5.61	2.28	5.51	2.30
	-10	5.07	2.11	4.96	2.13	4.86	2.15	4.80	2.15	4.75	2.16	4.64	2.18
	-15	4.21	2.02	4.10	2.04	4.00	2.05	3.95	2.07	3.89	2.08	3.79	2.10
18+07	15	9.72	2.62	9.61	2.64	9.50	2.67	9.45	2.67	9.40	2.67	9.29	2.69
	10	8.83	2.53	8.72	2.55	8.61	2.56	8.56	2.58	8.50	2.59	8.39	2.61
	6	8.12	2.43	8.01	2.45	7.90	2.48	7.84	2.49	7.79	2.50	7.68	2.53
	0	7.05	2.31	6.94	2.33	6.83	2.36	6.78	2.37	6.72	2.38	6.61	2.40
	-5	6.16	2.21	6.05	2.23	5.94	2.26	5.89	2.27	5.83	2.28	5.72	2.30
	-10	5.27	2.11	5.16	2.13	5.05	2.15	4.99	2.15	4.94	2.16	4.83	2.18
	-15	4.37	2.02	4.26	2.04	4.16	2.05	4.10	2.07	4.05	2.08	3.94	2.10
22+07	15	9.72	2.62	9.61	2.64	9.50	2.67	9.45	2.67	9.40	2.67	9.29	2.69
	10	8.83	2.53	8.72	2.55	8.61	2.56	8.56	2.58	8.50	2.59	8.39	2.61
	6	8.12	2.43	8.01	2.45	7.90	2.48	7.84	2.49	7.79	2.50	7.68	2.53
	0	7.05	2.31	6.94	2.33	6.83	2.36	6.78	2.37	6.72	2.38	6.61	2.40
	-5	6.16	2.21	6.05	2.23	5.94	2.26	5.89	2.27	5.83	2.28	5.72	2.30
	-10	5.27	2.11	5.16	2.13	5.05	2.15	4.99	2.15	4.94	2.16	4.83	2.18
	-15	4.37	2.02	4.26	2.04	4.16	2.05	4.10	2.07	4.05	2.08	3.94	2.10
24+07	15	10.22	2.86	10.10	2.87	9.99	2.90	9.93	2.90	9.87	2.91	9.76	2.93
	10	9.28	2.76	9.16	2.78	9.05	2.79	8.99	2.81	8.93	2.82	8.82	2.84
	6	8.53	2.65	8.41	2.67	8.30	2.70	8.24	2.71	8.18	2.72	8.07	2.75
	0	7.41	2.51	7.29	2.54	7.18	2.57	7.12	2.58	7.06	2.59	6.95	2.62
	-5	6.47	2.40	6.36	2.43	6.24	2.46	6.18	2.47	6.13	2.48	6.01	2.51
	-10	5.53	2.30	5.42	2.32	5.30	2.34	5.24	2.34	5.19	2.35	5.07	2.37
	-15	4.60	2.20	4.48	2.22	4.37	2.23	4.31	2.25	4.25	2.26	4.14	2.28

TC : Total capacity[kW]

PI : Power input [kW]



Combination (Capacity)	Outdoor air temp. [C DB]	Indoor air temp. [C WB]											
		16		18		20		21		22		24	
		TC [kW]	PI [kW]	TC [kW]	PI [kW]	TC [kW]	PI [kW]	TC [kW]	PI [kW]	TC [kW]	PI [kW]	TC [kW]	PI [kW]
10+10	15	8.86	2.22	8.76	2.24	8.66	2.26	8.61	2.26	8.56	2.26	8.47	2.28
	10	8.05	2.14	7.95	2.16	7.85	2.17	7.80	2.19	7.75	2.19	7.65	2.21
	6	7.40	2.06	7.30	2.08	7.20	2.10	7.15	2.11	7.10	2.12	7.00	2.14
	0	6.42	1.96	6.33	1.98	6.23	2.00	6.18	2.01	6.13	2.02	6.03	2.04
	-5	5.61	1.87	5.51	1.89	5.41	1.91	5.36	1.92	5.32	1.93	5.22	1.95
	-10	4.80	1.79	4.70	1.80	4.60	1.82	4.55	1.82	4.50	1.83	4.40	1.84
	-15	3.99	1.71	3.89	1.73	3.79	1.74	3.74	1.75	3.69	1.76	3.59	1.78
13+10	15	9.35	2.45	9.25	2.47	9.14	2.49	9.09	2.49	9.04	2.50	8.94	2.52
	10	8.50	2.37	8.39	2.39	8.29	2.40	8.23	2.41	8.18	2.42	8.07	2.44
	6	7.81	2.27	7.70	2.30	7.60	2.32	7.55	2.33	7.49	2.34	7.39	2.36
	0	6.78	2.16	6.68	2.18	6.57	2.21	6.52	2.22	6.47	2.23	6.36	2.25
	-5	5.92	2.06	5.82	2.09	5.71	2.11	5.66	2.12	5.61	2.13	5.51	2.15
	-10	5.07	1.97	4.96	1.99	4.86	2.01	4.80	2.01	4.75	2.02	4.64	2.04
	-15	4.21	1.89	4.10	1.91	4.00	1.92	3.95	1.93	3.89	1.94	3.79	1.96
16+10	15	9.72	2.62	9.61	2.64	9.50	2.67	9.45	2.67	9.40	2.67	9.29	2.69
	10	8.83	2.53	8.72	2.55	8.61	2.56	8.56	2.58	8.50	2.59	8.39	2.61
	6	8.12	2.43	8.01	2.45	7.90	2.48	7.84	2.49	7.79	2.50	7.68	2.53
	0	7.05	2.31	6.94	2.33	6.83	2.36	6.78	2.37	6.72	2.38	6.61	2.40
	-5	6.16	2.21	6.05	2.23	5.94	2.26	5.89	2.27	5.83	2.28	5.72	2.30
	-10	5.27	2.11	5.16	2.13	5.05	2.15	4.99	2.15	4.94	2.16	4.83	2.18
	-15	4.37	2.02	4.26	2.04	4.16	2.05	4.10	2.07	4.05	2.08	3.94	2.10
18+10	15	9.72	2.62	9.61	2.64	9.50	2.67	9.45	2.67	9.40	2.67	9.29	2.69
	10	8.83	2.53	8.72	2.55	8.61	2.56	8.56	2.58	8.50	2.59	8.39	2.61
	6	8.12	2.43	8.01	2.45	7.90	2.48	7.84	2.49	7.79	2.50	7.68	2.53
	0	7.05	2.31	6.94	2.33	6.83	2.36	6.78	2.37	6.72	2.38	6.61	2.40
	-5	6.16	2.21	6.05	2.23	5.94	2.26	5.89	2.27	5.83	2.28	5.72	2.30
	-10	5.27	2.11	5.16	2.13	5.05	2.15	4.99	2.15	4.94	2.16	4.83	2.18
	-15	4.37	2.02	4.26	2.04	4.16	2.05	4.10	2.07	4.05	2.08	3.94	2.10
22+10	15	10.22	2.86	10.10	2.87	9.99	2.90	9.93	2.90	9.87	2.91	9.76	2.93
	10	9.28	2.76	9.16	2.78	9.05	2.79	8.99	2.81	8.93	2.82	8.82	2.84
	6	8.53	2.65	8.41	2.67	8.30	2.70	8.24	2.71	8.18	2.72	8.07	2.75
	0	7.41	2.51	7.29	2.54	7.18	2.57	7.12	2.58	7.06	2.59	6.95	2.62
	-5	6.47	2.40	6.36	2.43	6.24	2.46	6.18	2.47	6.13	2.48	6.01	2.51
	-10	5.53	2.30	5.42	2.32	5.30	2.34	5.24	2.34	5.19	2.35	5.07	2.37
	-15	4.60	2.20	4.48	2.22	4.37	2.23	4.31	2.25	4.25	2.26	4.14	2.28
24+10	15	10.58	3.03	10.47	3.04	10.35	3.08	10.29	3.07	10.23	3.08	10.11	3.10
	10	9.61	2.92	9.49	2.94	9.38	2.96	9.32	2.98	9.26	2.99	9.14	3.01
	6	8.84	2.80	8.72	2.83	8.60	2.86	8.54	2.87	8.48	2.89	8.36	2.91
	0	7.67	2.66	7.56	2.69	7.44	2.72	7.38	2.73	7.32	2.75	7.20	2.77
	-5	6.70	2.55	6.59	2.57	6.47	2.60	6.41	2.61	6.35	2.63	6.23	2.65
	-10	5.73	2.43	5.61	2.45	5.50	2.48	5.43	2.48	5.37	2.49	5.26	2.51
	-15	4.76	2.33	4.64	2.35	4.53	2.37	4.46	2.38	4.40	2.40	4.29	2.42
13+13	15	9.72	2.62	9.61	2.64	9.50	2.67	9.45	2.67	9.40	2.67	9.29	2.69
	10	8.83	2.53	8.72	2.55	8.61	2.56	8.56	2.58	8.50	2.59	8.39	2.61
	6	8.12	2.43	8.01	2.45	7.90	2.48	7.84	2.49	7.79	2.50	7.68	2.53
	0	7.05	2.31	6.94	2.33	6.83	2.36	6.78	2.37	6.72	2.38	6.61	2.40
	-5	6.16	2.21	6.05	2.23	5.94	2.26	5.89	2.27	5.83	2.28	5.72	2.30
	-10	5.27	2.11	5.16	2.13	5.05	2.15	4.99	2.15	4.94	2.16	4.83	2.18
	-15	4.37	2.02	4.26	2.04	4.16	2.05	4.10	2.07	4.05	2.08	3.94	2.10

TC : Total capacity[kW]

PI : Power input [kW]

Combination (Capacity)	Outdoor air temp. [C DB]	Indoor air temp. [C WB]											
		16		18		20		21		22		24	
		TC [kW]	PI [kW]	TC [kW]	PI [kW]	TC [kW]	PI [kW]	TC [kW]	PI [kW]	TC [kW]	PI [kW]	TC [kW]	PI [kW]
16+13	15	10.22	2.86	10.10	2.87	9.99	2.90	9.93	2.90	9.87	2.91	9.76	2.93
	10	9.28	2.76	9.16	2.78	9.05	2.79	8.99	2.81	8.93	2.82	8.82	2.84
	6	8.53	2.65	8.41	2.67	8.30	2.70	8.24	2.71	8.18	2.72	8.07	2.75
	0	7.41	2.51	7.29	2.54	7.18	2.57	7.12	2.58	7.06	2.59	6.95	2.62
	-5	6.47	2.40	6.36	2.43	6.24	2.46	6.18	2.47	6.13	2.48	6.01	2.51
	-10	5.53	2.30	5.42	2.32	5.30	2.34	5.24	2.34	5.19	2.35	5.07	2.37
	-15	4.60	2.20	4.48	2.22	4.37	2.23	4.31	2.25	4.25	2.26	4.14	2.28
18+13	15	10.22	2.86	10.10	2.87	9.99	2.90	9.93	2.90	9.87	2.91	9.76	2.93
	10	9.28	2.76	9.16	2.78	9.05	2.79	8.99	2.81	8.93	2.82	8.82	2.84
	6	8.53	2.65	8.41	2.67	8.30	2.70	8.24	2.71	8.18	2.72	8.07	2.75
	0	7.41	2.51	7.29	2.54	7.18	2.57	7.12	2.58	7.06	2.59	6.95	2.62
	-5	6.47	2.40	6.36	2.43	6.24	2.46	6.18	2.47	6.13	2.48	6.01	2.51
	-10	5.53	2.30	5.42	2.32	5.30	2.34	5.24	2.34	5.19	2.35	5.07	2.37
	-15	4.60	2.20	4.48	2.22	4.37	2.23	4.31	2.25	4.25	2.26	4.14	2.28
22+13	15	10.58	3.03	10.47	3.04	10.35	3.08	10.29	3.07	10.23	3.08	10.11	3.10
	10	9.61	2.92	9.49	2.94	9.38	2.96	9.32	2.98	9.26	2.99	9.14	3.01
	6	8.84	2.80	8.72	2.83	8.60	2.86	8.54	2.87	8.48	2.89	8.36	2.91
	0	7.67	2.66	7.56	2.69	7.44	2.72	7.38	2.73	7.32	2.75	7.20	2.77
	-5	6.70	2.55	6.59	2.57	6.47	2.60	6.41	2.61	6.35	2.63	6.23	2.65
	-10	5.73	2.43	5.61	2.45	5.50	2.48	5.43	2.48	5.37	2.49	5.26	2.51
	-15	4.76	2.33	4.64	2.35	4.53	2.37	4.46	2.38	4.40	2.40	4.29	2.42
24+13	15	10.58	3.03	10.47	3.04	10.35	3.08	10.29	3.07	10.23	3.08	10.11	3.10
	10	9.61	2.92	9.49	2.94	9.38	2.96	9.32	2.98	9.26	2.99	9.14	3.01
	6	8.84	2.80	8.72	2.83	8.60	2.86	8.54	2.87	8.48	2.89	8.36	2.91
	0	7.67	2.66	7.56	2.69	7.44	2.72	7.38	2.73	7.32	2.75	7.20	2.77
	-5	6.70	2.55	6.59	2.57	6.47	2.60	6.41	2.61	6.35	2.63	6.23	2.65
	-10	5.73	2.43	5.61	2.45	5.50	2.48	5.43	2.48	5.37	2.49	5.26	2.51
	-15	4.76	2.33	4.64	2.35	4.53	2.37	4.46	2.38	4.40	2.40	4.29	2.42
16+16	15	10.58	3.03	10.47	3.04	10.35	3.08	10.29	3.07	10.23	3.08	10.11	3.10
	10	9.61	2.92	9.49	2.94	9.38	2.96	9.32	2.98	9.26	2.99	9.14	3.01
	6	8.84	2.80	8.72	2.83	8.60	2.86	8.54	2.87	8.48	2.89	8.36	2.91
	0	7.67	2.66	7.56	2.69	7.44	2.72	7.38	2.73	7.32	2.75	7.20	2.77
	-5	6.70	2.55	6.59	2.57	6.47	2.60	6.41	2.61	6.35	2.63	6.23	2.65
	-10	5.73	2.43	5.61	2.45	5.50	2.48	5.43	2.48	5.37	2.49	5.26	2.51
	-15	4.76	2.33	4.64	2.35	4.53	2.37	4.46	2.38	4.40	2.40	4.29	2.42
18+16	15	10.58	3.03	10.47	3.04	10.35	3.08	10.29	3.07	10.23	3.08	10.11	3.10
	10	9.61	2.92	9.49	2.94	9.38	2.96	9.32	2.98	9.26	2.99	9.14	3.01
	6	8.84	2.80	8.72	2.83	8.60	2.86	8.54	2.87	8.48	2.89	8.36	2.91
	0	7.67	2.66	7.56	2.69	7.44	2.72	7.38	2.73	7.32	2.75	7.20	2.77
	-5	6.70	2.55	6.59	2.57	6.47	2.60	6.41	2.61	6.35	2.63	6.23	2.65
	-10	5.73	2.43	5.61	2.45	5.50	2.48	5.43	2.48	5.37	2.49	5.26	2.51
	-15	4.76	2.33	4.64	2.35	4.53	2.37	4.46	2.38	4.40	2.40	4.29	2.42
22+16	15	10.58	3.03	10.47	3.04	10.35	3.08	10.29	3.07	10.23	3.08	10.11	3.10
	10	9.61	2.92	9.49	2.94	9.38	2.96	9.32	2.98	9.26	2.99	9.14	3.01
	6	8.84	2.80	8.72	2.83	8.60	2.86	8.54	2.87	8.48	2.89	8.36	2.91
	0	7.67	2.66	7.56	2.69	7.44	2.72	7.38	2.73	7.32	2.75	7.20	2.77
	-5	6.70	2.55	6.59	2.57	6.47	2.60	6.41	2.61	6.35	2.63	6.23	2.65
	-10	5.73	2.43	5.61	2.45	5.50	2.48	5.43	2.48	5.37	2.49	5.26	2.51
	-15	4.76	2.33	4.64	2.35	4.53	2.37	4.46	2.38	4.40	2.40	4.29	2.42

TC : Total capacity[kW]

PI : Power input [kW]

Heating(230V/50Hz)

Combination (Capacity)	Outdoor air temp.  [C DB]	Indoor air temp. [C WB]											
		16		18		20		21		22		24	
		TC [kW]	PI [kW]	TC [kW]	PI [kW]	TC [kW]	PI [kW]	TC [kW]	PI [kW]	TC [kW]	PI [kW]	TC [kW]	PI [kW]
24+16	15	10.58	3.03	10.47	3.04	10.35	3.08	10.29	3.07	10.23	3.08	10.11	3.10
	10	9.61	2.92	9.49	2.94	9.38	2.96	9.32	2.98	9.26	2.99	9.14	3.01
	6	8.84	2.80	8.72	2.83	8.60	2.86	8.54	2.87	8.48	2.89	8.36	2.91
	0	7.67	2.66	7.56	2.69	7.44	2.72	7.38	2.73	7.32	2.75	7.20	2.77
	-5	6.70	2.55	6.59	2.57	6.47	2.60	6.41	2.61	6.35	2.63	6.23	2.65
	-10	5.73	2.43	5.61	2.45	5.50	2.48	5.43	2.48	5.37	2.49	5.26	2.51
	-15	4.76	2.33	4.64	2.35	4.53	2.37	4.46	2.38	4.40	2.40	4.29	2.42
18+18	15	10.58	3.03	10.47	3.04	10.35	3.08	10.29	3.07	10.23	3.08	10.11	3.10
	10	9.61	2.92	9.49	2.94	9.38	2.96	9.32	2.98	9.26	2.99	9.14	3.01
	6	8.84	2.80	8.72	2.83	8.60	2.86	8.54	2.87	8.48	2.89	8.36	2.91
	0	7.67	2.66	7.56	2.69	7.44	2.72	7.38	2.73	7.32	2.75	7.20	2.77
	-5	6.70	2.55	6.59	2.57	6.47	2.60	6.41	2.61	6.35	2.63	6.23	2.65
	-10	5.73	2.43	5.61	2.45	5.50	2.48	5.43	2.48	5.37	2.49	5.26	2.51
	-15	4.76	2.33	4.64	2.35	4.53	2.37	4.46	2.38	4.40	2.40	4.29	2.42
22+18	15	10.58	3.03	10.47	3.04	10.35	3.08	10.29	3.07	10.23	3.08	10.11	3.10
	10	9.61	2.92	9.49	2.94	9.38	2.96	9.32	2.98	9.26	2.99	9.14	3.01
	6	8.84	2.80	8.72	2.83	8.60	2.86	8.54	2.87	8.48	2.89	8.36	2.91
	0	7.67	2.66	7.56	2.69	7.44	2.72	7.38	2.73	7.32	2.75	7.20	2.77
	-5	6.70	2.55	6.59	2.57	6.47	2.60	6.41	2.61	6.35	2.63	6.23	2.65
	-10	5.73	2.43	5.61	2.45	5.50	2.48	5.43	2.48	5.37	2.49	5.26	2.51
	-15	4.76	2.33	4.64	2.35	4.53	2.37	4.46	2.38	4.40	2.40	4.29	2.42
24+18	15	10.58	3.03	10.47	3.04	10.35	3.08	10.29	3.07	10.23	3.08	10.11	3.10
	10	9.61	2.92	9.49	2.94	9.38	2.96	9.32	2.98	9.26	2.99	9.14	3.01
	6	8.84	2.80	8.72	2.83	8.60	2.86	8.54	2.87	8.48	2.89	8.36	2.91
	0	7.67	2.66	7.56	2.69	7.44	2.72	7.38	2.73	7.32	2.75	7.20	2.77
	-5	6.70	2.55	6.59	2.57	6.47	2.60	6.41	2.61	6.35	2.63	6.23	2.65
	-10	5.73	2.43	5.61	2.45	5.50	2.48	5.43	2.48	5.37	2.49	5.26	2.51
	-15	4.76	2.33	4.64	2.35	4.53	2.37	4.46	2.38	4.40	2.40	4.29	2.42

TC : Total capacity[kW]

PI : Power input [kW]

Heating(230V/50Hz)

Combination (Capacity)	Outdoor air temp. [C DB]	Indoor air temp. [C WB]											
		16		18		20		21		22		24	
		TC [kW]	PI [kW]	TC [kW]	PI [kW]	TC [kW]	PI [kW]	TC [kW]	PI [kW]	TC [kW]	PI [kW]	TC [kW]	PI [kW]
07+07+07	15	9.97	2.42	9.86	2.44	9.74	2.46	9.69	2.46	9.63	2.47	9.52	2.49
	10	9.05	2.34	8.94	2.36	8.83	2.37	8.77	2.38	8.72	2.39	8.61	2.41
	6	8.32	2.24	8.21	2.27	8.10	2.29	8.04	2.30	7.99	2.31	7.87	2.33
	0	7.23	2.13	7.12	2.15	7.00	2.18	6.95	2.19	6.89	2.20	6.78	2.22
	-5	6.31	2.04	6.20	2.06	6.09	2.08	6.04	2.09	5.98	2.10	5.87	2.13
	-10	5.40	1.95	5.29	1.96	5.18	1.99	5.12	1.99	5.06	2.00	4.95	2.01
	-15	4.48	1.86	4.37	1.88	4.26	1.89	4.20	1.91	4.15	1.92	4.04	1.94
10+07+07	15	10.22	2.43	10.10	2.45	9.99	2.47	9.93	2.47	9.87	2.48	9.76	2.50
	10	9.28	2.35	9.16	2.37	9.05	2.38	8.99	2.39	8.93	2.40	8.82	2.42
	6	8.53	2.25	8.41	2.28	8.30	2.30	8.24	2.31	8.18	2.32	8.07	2.34
	0	7.41	2.14	7.29	2.16	7.18	2.19	7.12	2.20	7.06	2.21	6.95	2.23
	-5	6.47	2.05	6.36	2.07	6.24	2.09	6.18	2.10	6.13	2.11	6.01	2.13
	-10	5.53	1.96	5.42	1.97	5.30	2.00	5.24	2.00	5.19	2.00	5.07	2.02
	-15	4.60	1.87	4.48	1.89	4.37	1.90	4.31	1.92	4.25	1.93	4.14	1.95
13+07+07	15	10.58	2.43	10.47	2.45	10.35	2.47	10.29	2.47	10.23	2.48	10.11	2.50
	10	9.61	2.35	9.49	2.37	9.38	2.38	9.32	2.39	9.26	2.40	9.14	2.42
	6	8.84	2.25	8.72	2.28	8.60	2.30	8.54	2.31	8.48	2.32	8.36	2.34
	0	7.67	2.14	7.56	2.16	7.44	2.19	7.38	2.20	7.32	2.21	7.20	2.23
	-5	6.70	2.05	6.59	2.07	6.47	2.09	6.41	2.10	6.35	2.11	6.23	2.13
	-10	5.73	1.96	5.61	1.97	5.50	2.00	5.43	2.00	5.37	2.00	5.26	2.02
	-15	4.76	1.87	4.64	1.89	4.53	1.90	4.46	1.92	4.40	1.93	4.29	1.95
16+07+07	15	10.71	2.49	10.59	2.50	10.47	2.53	10.41	2.53	10.35	2.53	10.23	2.55
	10	9.72	2.40	9.60	2.42	9.49	2.43	9.42	2.45	9.36	2.45	9.24	2.47
	6	8.94	2.30	8.82	2.33	8.70	2.35	8.64	2.36	8.58	2.37	8.46	2.39
	0	7.76	2.19	7.64	2.21	7.52	2.24	7.46	2.24	7.40	2.26	7.28	2.28
	-5	6.78	2.09	6.66	2.11	6.54	2.14	6.48	2.15	6.42	2.16	6.30	2.18
	-10	5.80	2.00	5.68	2.02	5.56	2.04	5.50	2.04	5.44	2.05	5.32	2.06
	-15	4.82	1.91	4.70	1.93	4.58	1.94	4.52	1.96	4.46	1.97	4.34	1.99
18+07+07	15	10.71	2.49	10.59	2.50	10.47	2.53	10.41	2.53	10.35	2.53	10.23	2.55
	10	9.72	2.40	9.60	2.42	9.49	2.43	9.42	2.45	9.36	2.45	9.24	2.47
	6	8.94	2.30	8.82	2.33	8.70	2.35	8.64	2.36	8.58	2.37	8.46	2.39
	0	7.76	2.19	7.64	2.21	7.52	2.24	7.46	2.24	7.40	2.26	7.28	2.28
	-5	6.78	2.09	6.66	2.11	6.54	2.14	6.48	2.15	6.42	2.16	6.30	2.18
	-10	5.80	2.00	5.68	2.02	5.56	2.04	5.50	2.04	5.44	2.05	5.32	2.06
	-15	4.82	1.91	4.70	1.93	4.58	1.94	4.52	1.96	4.46	1.97	4.34	1.99
22+07+07	15	10.71	2.49	10.59	2.50	10.47	2.53	10.41	2.53	10.35	2.53	10.23	2.55
	10	9.72	2.40	9.60	2.42	9.49	2.43	9.42	2.45	9.36	2.45	9.24	2.47
	6	8.94	2.30	8.82	2.33	8.70	2.35	8.64	2.36	8.58	2.37	8.46	2.39
	0	7.76	2.19	7.64	2.21	7.52	2.24	7.46	2.24	7.40	2.26	7.28	2.28
	-5	6.78	2.09	6.66	2.11	6.54	2.14	6.48	2.15	6.42	2.16	6.30	2.18
	-10	5.80	2.00	5.68	2.02	5.56	2.04	5.50	2.04	5.44	2.05	5.32	2.06
	-15	4.82	1.91	4.70	1.93	4.58	1.94	4.52	1.96	4.46	1.97	4.34	1.99
24+07+07	15	10.71	2.49	10.59	2.50	10.47	2.53	10.41	2.53	10.35	2.53	10.23	2.55
	10	9.72	2.40	9.60	2.42	9.49	2.43	9.42	2.45	9.36	2.45	9.24	2.47
	6	8.94	2.30	8.82	2.33	8.70	2.35	8.64	2.36	8.58	2.37	8.46	2.39
	0	7.76	2.19	7.64	2.21	7.52	2.24	7.46	2.24	7.40	2.26	7.28	2.28
	-5	6.78	2.09	6.66	2.11	6.54	2.14	6.48	2.15	6.42	2.16	6.30	2.18
	-10	5.80	2.00	5.68	2.02	5.56	2.04	5.50	2.04	5.44	2.05	5.32	2.06
	-15	4.82	1.91	4.70	1.93	4.58	1.94	4.52	1.96	4.46	1.97	4.34	1.99

TC : Total capacity[kW]

PI : Power input [kW]

Heating(230V/50Hz)

Combination (Capacity)	Outdoor air temp. [C DB]	Indoor air temp. [C WB]											
		16		18		20		21		22		24	
		TC [kW]	PI [kW]	TC [kW]	PI [kW]	TC [kW]	PI [kW]	TC [kW]	PI [kW]	TC [kW]	PI [kW]	TC [kW]	PI [kW]
10+10+07	15	10.46	2.43	10.34	2.45	10.23	2.47	10.17	2.47	10.11	2.48	9.99	2.50
	10	9.50	2.35	9.38	2.37	9.27	2.38	9.21	2.39	9.15	2.40	9.03	2.42
	6	8.73	2.25	8.62	2.28	8.50	2.30	8.44	2.31	8.38	2.32	8.26	2.34
	0	7.58	2.14	7.47	2.16	7.35	2.19	7.29	2.20	7.23	2.21	7.12	2.23
	-5	6.63	2.05	6.51	2.07	6.39	2.09	6.33	2.10	6.27	2.11	6.16	2.13
	-10	5.67	1.96	5.55	1.97	5.43	2.00	5.37	2.00	5.31	2.00	5.19	2.02
	-15	4.71	1.87	4.59	1.89	4.47	1.90	4.41	1.92	4.35	1.93	4.24	1.95
13+10+07	15	10.71	2.49	10.59	2.50	10.47	2.53	10.41	2.53	10.35	2.53	10.23	2.55
	10	9.72	2.40	9.60	2.42	9.49	2.43	9.42	2.45	9.36	2.45	9.24	2.47
	6	8.94	2.30	8.82	2.33	8.70	2.35	8.64	2.36	8.58	2.37	8.46	2.39
	0	7.76	2.19	7.64	2.21	7.52	2.24	7.46	2.24	7.40	2.26	7.28	2.28
	-5	6.78	2.09	6.66	2.11	6.54	2.14	6.48	2.15	6.42	2.16	6.30	2.18
	-10	5.80	2.00	5.68	2.02	5.56	2.04	5.50	2.04	5.44	2.05	5.32	2.06
	-15	4.82	1.91	4.70	1.93	4.58	1.94	4.52	1.96	4.46	1.97	4.34	1.99
16+10+07	15	10.71	2.49	10.59	2.50	10.47	2.53	10.41	2.53	10.35	2.53	10.23	2.55
	10	9.72	2.40	9.60	2.42	9.49	2.43	9.42	2.45	9.36	2.45	9.24	2.47
	6	8.94	2.30	8.82	2.33	8.70	2.35	8.64	2.36	8.58	2.37	8.46	2.39
	0	7.76	2.19	7.64	2.21	7.52	2.24	7.46	2.24	7.40	2.26	7.28	2.28
	-5	6.78	2.09	6.66	2.11	6.54	2.14	6.48	2.15	6.42	2.16	6.30	2.18
	-10	5.80	2.00	5.68	2.02	5.56	2.04	5.50	2.04	5.44	2.05	5.32	2.06
	-15	4.82	1.91	4.70	1.93	4.58	1.94	4.52	1.96	4.46	1.97	4.34	1.99
18+10+07	15	10.71	2.49	10.59	2.50	10.47	2.53	10.41	2.53	10.35	2.53	10.23	2.55
	10	9.72	2.40	9.60	2.42	9.49	2.43	9.42	2.45	9.36	2.45	9.24	2.47
	6	8.94	2.30	8.82	2.33	8.70	2.35	8.64	2.36	8.58	2.37	8.46	2.39
	0	7.76	2.19	7.64	2.21	7.52	2.24	7.46	2.24	7.40	2.26	7.28	2.28
	-5	6.78	2.09	6.66	2.11	6.54	2.14	6.48	2.15	6.42	2.16	6.30	2.18
	-10	5.80	2.00	5.68	2.02	5.56	2.04	5.50	2.04	5.44	2.05	5.32	2.06
	-15	4.82	1.91	4.70	1.93	4.58	1.94	4.52	1.96	4.46	1.97	4.34	1.99
22+10+07	15	10.83	2.54	10.71	2.56	10.59	2.58	10.53	2.58	10.47	2.59	10.35	2.60
	10	9.84	2.45	9.71	2.47	9.59	2.48	9.53	2.50	9.47	2.51	9.35	2.53
	6	9.04	2.35	8.92	2.38	8.80	2.40	8.74	2.41	8.68	2.42	8.55	2.44
	0	7.85	2.23	7.73	2.26	7.61	2.28	7.55	2.29	7.49	2.30	7.37	2.33
	-5	6.86	2.14	6.74	2.16	6.62	2.18	6.56	2.19	6.50	2.20	6.37	2.23
	-10	5.87	2.04	5.74	2.06	5.62	2.08	5.56	2.08	5.50	2.09	5.38	2.11
	-15	4.87	1.95	4.75	1.97	4.63	1.99	4.57	2.00	4.51	2.01	4.39	2.03
24+10+07	15	10.83	2.54	10.71	2.56	10.59	2.58	10.53	2.58	10.47	2.59	10.35	2.60
	10	9.84	2.45	9.71	2.47	9.59	2.48	9.53	2.50	9.47	2.51	9.35	2.53
	6	9.04	2.35	8.92	2.38	8.80	2.40	8.74	2.41	8.68	2.42	8.55	2.44
	0	7.85	2.23	7.73	2.26	7.61	2.28	7.55	2.29	7.49	2.30	7.37	2.33
	-5	6.86	2.14	6.74	2.16	6.62	2.18	6.56	2.19	6.50	2.20	6.37	2.23
	-10	5.87	2.04	5.74	2.06	5.62	2.08	5.56	2.08	5.50	2.09	5.38	2.11
	-15	4.87	1.95	4.75	1.97	4.63	1.99	4.57	2.00	4.51	2.01	4.39	2.03
13+13+07	15	10.71	2.49	10.59	2.50	10.47	2.53	10.41	2.53	10.35	2.53	10.23	2.55
	10	9.72	2.40	9.60	2.42	9.49	2.43	9.42	2.45	9.36	2.45	9.24	2.47
	6	8.94	2.30	8.82	2.33	8.70	2.35	8.64	2.36	8.58	2.37	8.46	2.39
	0	7.76	2.19	7.64	2.21	7.52	2.24	7.46	2.24	7.40	2.26	7.28	2.28
	-5	6.78	2.09	6.66	2.11	6.54	2.14	6.48	2.15	6.42	2.16	6.30	2.18
	-10	5.80	2.00	5.68	2.02	5.56	2.04	5.50	2.04	5.44	2.05	5.32	2.06
	-15	4.82	1.91	4.70	1.93	4.58	1.94	4.52	1.96	4.46	1.97	4.34	1.99

TC : Total capacity[kW]

PI : Power input [kW]

Heating(230V/50Hz)

Combination (Capacity)	Outdoor air temp. [C DB]	Indoor air temp. [C WB]											
		16		18		20		21		22		24	
		TC [kW]	PI [kW]	TC [kW]	PI [kW]	TC [kW]	PI [kW]	TC [kW]	PI [kW]	TC [kW]	PI [kW]	TC [kW]	PI [kW]
16+13+07	15	10.83	2.54	10.71	2.56	10.59	2.58	10.53	2.58	10.47	2.59	10.35	2.60
	10	9.84	2.45	9.71	2.47	9.59	2.48	9.53	2.50	9.47	2.51	9.35	2.53
	6	9.04	2.35	8.92	2.38	8.80	2.40	8.74	2.41	8.68	2.42	8.55	2.44
	0	7.85	2.23	7.73	2.26	7.61	2.28	7.55	2.29	7.49	2.30	7.37	2.33
	-5	6.86	2.14	6.74	2.16	6.62	2.18	6.56	2.19	6.50	2.20	6.37	2.23
	-10	5.87	2.04	5.74	2.06	5.62	2.08	5.56	2.08	5.50	2.09	5.38	2.11
	-15	4.87	1.95	4.75	1.97	4.63	1.99	4.57	2.00	4.51	2.01	4.39	2.03
18+13+07	15	10.83	2.54	10.71	2.56	10.59	2.58	10.53	2.58	10.47	2.59	10.35	2.60
	10	9.84	2.45	9.71	2.47	9.59	2.48	9.53	2.50	9.47	2.51	9.35	2.53
	6	9.04	2.35	8.92	2.38	8.80	2.40	8.74	2.41	8.68	2.42	8.55	2.44
	0	7.85	2.23	7.73	2.26	7.61	2.28	7.55	2.29	7.49	2.30	7.37	2.33
	-5	6.86	2.14	6.74	2.16	6.62	2.18	6.56	2.19	6.50	2.20	6.37	2.23
	-10	5.87	2.04	5.74	2.06	5.62	2.08	5.56	2.08	5.50	2.09	5.38	2.11
	-15	4.87	1.95	4.75	1.97	4.63	1.99	4.57	2.00	4.51	2.01	4.39	2.03
22+13+07	15	10.95	2.59	10.83	2.61	10.71	2.63	10.65	2.63	10.59	2.64	10.46	2.66
	10	9.95	2.50	9.83	2.52	9.70	2.53	9.64	2.55	9.58	2.56	9.46	2.58
	6	9.15	2.40	9.02	2.42	8.90	2.45	8.84	2.46	8.78	2.47	8.65	2.50
	0	7.94	2.28	7.82	2.30	7.70	2.33	7.64	2.34	7.57	2.35	7.45	2.38
	-5	6.94	2.18	6.82	2.20	6.69	2.23	6.63	2.24	6.57	2.25	6.45	2.27
	-10	5.93	2.08	5.81	2.10	5.69	2.13	5.62	2.13	5.56	2.14	5.44	2.15
	-15	4.93	1.99	4.80	2.01	4.68	2.03	4.62	2.04	4.56	2.05	4.44	2.07
24+13+07	15	10.95	2.59	10.83	2.61	10.71	2.63	10.65	2.63	10.59	2.64	10.46	2.66
	10	9.95	2.50	9.83	2.52	9.70	2.53	9.64	2.55	9.58	2.56	9.46	2.58
	6	9.15	2.40	9.02	2.42	8.90	2.45	8.84	2.46	8.78	2.47	8.65	2.50
	0	7.94	2.28	7.82	2.30	7.70	2.33	7.64	2.34	7.57	2.35	7.45	2.38
	-5	6.94	2.18	6.82	2.20	6.69	2.23	6.63	2.24	6.57	2.25	6.45	2.27
	-10	5.93	2.08	5.81	2.10	5.69	2.13	5.62	2.13	5.56	2.14	5.44	2.15
	-15	4.93	1.99	4.80	2.01	4.68	2.03	4.62	2.04	4.56	2.05	4.44	2.07
16+16+07	15	10.95	2.59	10.83	2.61	10.71	2.63	10.65	2.63	10.59	2.64	10.46	2.66
	10	9.95	2.50	9.83	2.52	9.70	2.53	9.64	2.55	9.58	2.56	9.46	2.58
	6	9.15	2.40	9.02	2.42	8.90	2.45	8.84	2.46	8.78	2.47	8.65	2.50
	0	7.94	2.28	7.82	2.30	7.70	2.33	7.64	2.34	7.57	2.35	7.45	2.38
	-5	6.94	2.18	6.82	2.20	6.69	2.23	6.63	2.24	6.57	2.25	6.45	2.27
	-10	5.93	2.08	5.81	2.10	5.69	2.13	5.62	2.13	5.56	2.14	5.44	2.15
	-15	4.93	1.99	4.80	2.01	4.68	2.03	4.62	2.04	4.56	2.05	4.44	2.07
18+16+07	15	10.95	2.59	10.83	2.61	10.71	2.63	10.65	2.63	10.59	2.64	10.46	2.66
	10	9.95	2.50	9.83	2.52	9.70	2.53	9.64	2.55	9.58	2.56	9.46	2.58
	6	9.15	2.40	9.02	2.42	8.90	2.45	8.84	2.46	8.78	2.47	8.65	2.50
	0	7.94	2.28	7.82	2.30	7.70	2.33	7.64	2.34	7.57	2.35	7.45	2.38
	-5	6.94	2.18	6.82	2.20	6.69	2.23	6.63	2.24	6.57	2.25	6.45	2.27
	-10	5.93	2.08	5.81	2.10	5.69	2.13	5.62	2.13	5.56	2.14	5.44	2.15
	-15	4.93	1.99	4.80	2.01	4.68	2.03	4.62	2.04	4.56	2.05	4.44	2.07
22+16+07	15	10.95	2.59	10.83	2.61	10.71	2.63	10.65	2.63	10.59	2.64	10.46	2.66
	10	9.95	2.50	9.83	2.52	9.70	2.53	9.64	2.55	9.58	2.56	9.46	2.58
	6	9.15	2.40	9.02	2.42	8.90	2.45	8.84	2.46	8.78	2.47	8.65	2.50
	0	7.94	2.28	7.82	2.30	7.70	2.33	7.64	2.34	7.57	2.35	7.45	2.38
	-5	6.94	2.18	6.82	2.20	6.69	2.23	6.63	2.24	6.57	2.25	6.45	2.27
	-10	5.93	2.08	5.81	2.10	5.69	2.13	5.62	2.13	5.56	2.14	5.44	2.15
	-15	4.93	1.99	4.80	2.01	4.68	2.03	4.62	2.04	4.56	2.05	4.44	2.07

TC : Total capacity[kW]

PI : Power input [kW]

Heating(230V/50Hz)

Combination (Capacity)	Outdoor air temp. [C DB]	Indoor air temp. [C WB]											
		16		18		20		21		22		24	
		TC [kW]	PI [kW]	TC [kW]	PI [kW]	TC [kW]	PI [kW]	TC [kW]	PI [kW]	TC [kW]	PI [kW]	TC [kW]	PI [kW]
24+16+07	15	10.95	2.59	10.83	2.61	10.71	2.63	10.65	2.63	10.59	2.64	10.46	2.66
	10	9.95	2.50	9.83	2.52	9.70	2.53	9.64	2.55	9.58	2.56	9.46	2.58
	6	9.15	2.40	9.02	2.42	8.90	2.45	8.84	2.46	8.78	2.47	8.65	2.50
	0	7.94	2.28	7.82	2.30	7.70	2.33	7.64	2.34	7.57	2.35	7.45	2.38
	-5	6.94	2.18	6.82	2.20	6.69	2.23	6.63	2.24	6.57	2.25	6.45	2.27
	-10	5.93	2.08	5.81	2.10	5.69	2.13	5.62	2.13	5.56	2.14	5.44	2.15
	-15	4.93	1.99	4.80	2.01	4.68	2.03	4.62	2.04	4.56	2.05	4.44	2.07
10+10+10	15	10.58	2.43	10.47	2.45	10.35	2.47	10.29	2.47	10.23	2.48	10.11	2.50
	10	9.61	2.35	9.49	2.37	9.38	2.38	9.32	2.39	9.26	2.40	9.14	2.42
	6	8.84	2.25	8.72	2.28	8.60	2.30	8.54	2.31	8.48	2.32	8.36	2.34
	0	7.67	2.14	7.56	2.16	7.44	2.19	7.38	2.20	7.32	2.21	7.20	2.23
	-5	6.70	2.05	6.59	2.07	6.47	2.09	6.41	2.10	6.35	2.11	6.23	2.13
	-10	5.73	1.96	5.61	1.97	5.50	2.00	5.43	2.00	5.37	2.00	5.26	2.02
	-15	4.76	1.87	4.64	1.89	4.53	1.90	4.46	1.92	4.40	1.93	4.29	1.95
13+10+10	15	10.71	2.49	10.59	2.50	10.47	2.53	10.41	2.53	10.35	2.53	10.23	2.55
	10	9.72	2.40	9.60	2.42	9.49	2.43	9.42	2.45	9.36	2.45	9.24	2.47
	6	8.94	2.30	8.82	2.33	8.70	2.35	8.64	2.36	8.58	2.37	8.46	2.39
	0	7.76	2.19	7.64	2.21	7.52	2.24	7.46	2.24	7.40	2.26	7.28	2.28
	-5	6.78	2.09	6.66	2.11	6.54	2.14	6.48	2.15	6.42	2.16	6.30	2.18
	-10	5.80	2.00	5.68	2.02	5.56	2.04	5.50	2.04	5.44	2.05	5.32	2.06
	-15	4.82	1.91	4.70	1.93	4.58	1.94	4.52	1.96	4.46	1.97	4.34	1.99
16+10+10	15	10.71	2.49	10.59	2.50	10.47	2.53	10.41	2.53	10.35	2.53	10.23	2.55
	10	9.72	2.40	9.60	2.42	9.49	2.43	9.42	2.45	9.36	2.45	9.24	2.47
	6	8.94	2.30	8.82	2.33	8.70	2.35	8.64	2.36	8.58	2.37	8.46	2.39
	0	7.76	2.19	7.64	2.21	7.52	2.24	7.46	2.24	7.40	2.26	7.28	2.28
	-5	6.78	2.09	6.66	2.11	6.54	2.14	6.48	2.15	6.42	2.16	6.30	2.18
	-10	5.80	2.00	5.68	2.02	5.56	2.04	5.50	2.04	5.44	2.05	5.32	2.06
	-15	4.82	1.91	4.70	1.93	4.58	1.94	4.52	1.96	4.46	1.97	4.34	1.99
18+10+10	15	10.71	2.49	10.59	2.50	10.47	2.53	10.41	2.53	10.35	2.53	10.23	2.55
	10	9.72	2.40	9.60	2.42	9.49	2.43	9.42	2.45	9.36	2.45	9.24	2.47
	6	8.94	2.30	8.82	2.33	8.70	2.35	8.64	2.36	8.58	2.37	8.46	2.39
	0	7.76	2.19	7.64	2.21	7.52	2.24	7.46	2.24	7.40	2.26	7.28	2.28
	-5	6.78	2.09	6.66	2.11	6.54	2.14	6.48	2.15	6.42	2.16	6.30	2.18
	-10	5.80	2.00	5.68	2.02	5.56	2.04	5.50	2.04	5.44	2.05	5.32	2.06
	-15	4.82	1.91	4.70	1.93	4.58	1.94	4.52	1.96	4.46	1.97	4.34	1.99
22+10+10	15	10.95	2.59	10.83	2.61	10.71	2.63	10.65	2.63	10.59	2.64	10.46	2.66
	10	9.95	2.50	9.83	2.52	9.70	2.53	9.64	2.55	9.58	2.56	9.46	2.58
	6	9.15	2.40	9.02	2.42	8.90	2.45	8.84	2.46	8.78	2.47	8.65	2.50
	0	7.94	2.28	7.82	2.30	7.70	2.33	7.64	2.34	7.57	2.35	7.45	2.38
	-5	6.94	2.18	6.82	2.20	6.69	2.23	6.63	2.24	6.57	2.25	6.45	2.27
	-10	5.93	2.08	5.81	2.10	5.69	2.13	5.62	2.13	5.56	2.14	5.44	2.15
	-15	4.93	1.99	4.80	2.01	4.68	2.03	4.62	2.04	4.56	2.05	4.44	2.07
24+10+10	15	10.95	2.59	10.83	2.61	10.71	2.63	10.65	2.63	10.59	2.64	10.46	2.66
	10	9.95	2.50	9.83	2.52	9.70	2.53	9.64	2.55	9.58	2.56	9.46	2.58
	6	9.15	2.40	9.02	2.42	8.90	2.45	8.84	2.46	8.78	2.47	8.65	2.50
	0	7.94	2.28	7.82	2.30	7.70	2.33	7.64	2.34	7.57	2.35	7.45	2.38
	-5	6.94	2.18	6.82	2.20	6.69	2.23	6.63	2.24	6.57	2.25	6.45	2.27
	-10	5.93	2.08	5.81	2.10	5.69	2.13	5.62	2.13	5.56	2.14	5.44	2.15
	-15	4.93	1.99	4.80	2.01	4.68	2.03	4.62	2.04	4.56	2.05	4.44	2.07

TC : Total capacity[kW]

PI : Power input [kW]

Heating(230V/50Hz)

Combination (Capacity)	Outdoor air temp. [C DB]	Indoor air temp. [C WB]											
		16		18		20		21		22		24	
		TC [kW]	PI [kW]	TC [kW]	PI [kW]	TC [kW]	PI [kW]	TC [kW]	PI [kW]	TC [kW]	PI [kW]	TC [kW]	PI [kW]
13+13+10	15	10.71	2.49	10.59	2.50	10.47	2.53	10.41	2.53	10.35	2.53	10.23	2.55
	10	9.72	2.40	9.60	2.42	9.49	2.43	9.42	2.45	9.36	2.45	9.24	2.47
	6	8.94	2.30	8.82	2.33	8.70	2.35	8.64	2.36	8.58	2.37	8.46	2.39
	0	7.76	2.19	7.64	2.21	7.52	2.24	7.46	2.24	7.40	2.26	7.28	2.28
	-5	6.78	2.09	6.66	2.11	6.54	2.14	6.48	2.15	6.42	2.16	6.30	2.18
	-10	5.80	2.00	5.68	2.02	5.56	2.04	5.50	2.04	5.44	2.05	5.32	2.06
	-15	4.82	1.91	4.70	1.93	4.58	1.94	4.52	1.96	4.46	1.97	4.34	1.99
16+13+10	15	10.83	2.54	10.71	2.56	10.59	2.58	10.53	2.58	10.47	2.59	10.35	2.60
	10	9.84	2.45	9.71	2.47	9.59	2.48	9.53	2.50	9.47	2.51	9.35	2.53
	6	9.04	2.35	8.92	2.38	8.80	2.40	8.74	2.41	8.68	2.42	8.55	2.44
	0	7.85	2.23	7.73	2.26	7.61	2.28	7.55	2.29	7.49	2.30	7.37	2.33
	-5	6.86	2.14	6.74	2.16	6.62	2.18	6.56	2.19	6.50	2.20	6.37	2.23
	-10	5.87	2.04	5.74	2.06	5.62	2.08	5.56	2.08	5.50	2.09	5.38	2.11
	-15	4.87	1.95	4.75	1.97	4.63	1.99	4.57	2.00	4.51	2.01	4.39	2.03
18+13+10	15	10.95	2.59	10.83	2.61	10.71	2.63	10.65	2.63	10.59	2.64	10.46	2.66
	10	9.95	2.50	9.83	2.52	9.70	2.53	9.64	2.55	9.58	2.56	9.46	2.58
	6	9.15	2.40	9.02	2.42	8.90	2.45	8.84	2.46	8.78	2.47	8.65	2.50
	0	7.94	2.28	7.82	2.30	7.70	2.33	7.64	2.34	7.57	2.35	7.45	2.38
	-5	6.94	2.18	6.82	2.20	6.69	2.23	6.63	2.24	6.57	2.25	6.45	2.27
	-10	5.93	2.08	5.81	2.10	5.69	2.13	5.62	2.13	5.56	2.14	5.44	2.15
	-15	4.93	1.99	4.80	2.01	4.68	2.03	4.62	2.04	4.56	2.05	4.44	2.07
22+13+10	15	10.95	2.59	10.83	2.61	10.71	2.63	10.65	2.63	10.59	2.64	10.46	2.66
	10	9.95	2.50	9.83	2.52	9.70	2.53	9.64	2.55	9.58	2.56	9.46	2.58
	6	9.15	2.40	9.02	2.42	8.90	2.45	8.84	2.46	8.78	2.47	8.65	2.50
	0	7.94	2.28	7.82	2.30	7.70	2.33	7.64	2.34	7.57	2.35	7.45	2.38
	-5	6.94	2.18	6.82	2.20	6.69	2.23	6.63	2.24	6.57	2.25	6.45	2.27
	-10	5.93	2.08	5.81	2.10	5.69	2.13	5.62	2.13	5.56	2.14	5.44	2.15
	-15	4.93	1.99	4.80	2.01	4.68	2.03	4.62	2.04	4.56	2.05	4.44	2.07
24+13+10	15	10.95	2.59	10.83	2.61	10.71	2.63	10.65	2.63	10.59	2.64	10.46	2.66
	10	9.95	2.50	9.83	2.52	9.70	2.53	9.64	2.55	9.58	2.56	9.46	2.58
	6	9.15	2.40	9.02	2.42	8.90	2.45	8.84	2.46	8.78	2.47	8.65	2.50
	0	7.94	2.28	7.82	2.30	7.70	2.33	7.64	2.34	7.57	2.35	7.45	2.38
	-5	6.94	2.18	6.82	2.20	6.69	2.23	6.63	2.24	6.57	2.25	6.45	2.27
	-10	5.93	2.08	5.81	2.10	5.69	2.13	5.62	2.13	5.56	2.14	5.44	2.15
	-15	4.93	1.99	4.80	2.01	4.68	2.03	4.62	2.04	4.56	2.05	4.44	2.07
16+16+10	15	10.95	2.59	10.83	2.61	10.71	2.63	10.65	2.63	10.59	2.64	10.46	2.66
	10	9.95	2.50	9.83	2.52	9.70	2.53	9.64	2.55	9.58	2.56	9.46	2.58
	6	9.15	2.40	9.02	2.42	8.90	2.45	8.84	2.46	8.78	2.47	8.65	2.50
	0	7.94	2.28	7.82	2.30	7.70	2.33	7.64	2.34	7.57	2.35	7.45	2.38
	-5	6.94	2.18	6.82	2.20	6.69	2.23	6.63	2.24	6.57	2.25	6.45	2.27
	-10	5.93	2.08	5.81	2.10	5.69	2.13	5.62	2.13	5.56	2.14	5.44	2.15
	-15	4.93	1.99	4.80	2.01	4.68	2.03	4.62	2.04	4.56	2.05	4.44	2.07
18+16+10	15	10.95	2.59	10.83	2.61	10.71	2.63	10.65	2.63	10.59	2.64	10.46	2.66
	10	9.95	2.50	9.83	2.52	9.70	2.53	9.64	2.55	9.58	2.56	9.46	2.58
	6	9.15	2.40	9.02	2.42	8.90	2.45	8.84	2.46	8.78	2.47	8.65	2.50
	0	7.94	2.28	7.82	2.30	7.70	2.33	7.64	2.34	7.57	2.35	7.45	2.38
	-5	6.94	2.18	6.82	2.20	6.69	2.23	6.63	2.24	6.57	2.25	6.45	2.27
	-10	5.93	2.08	5.81	2.10	5.69	2.13	5.62	2.13	5.56	2.14	5.44	2.15
	-15	4.93	1.99	4.80	2.01	4.68	2.03	4.62	2.04	4.56	2.05	4.44	2.07

TC : Total capacity[kW]

PI : Power input [kW]



Heating(230V/50Hz)

Combination (Capacity)	Outdoor air temp. [C DB]	Indoor air temp. [C WB]											
		16		18		20		21		22		24	
		TC [kW]	PI [kW]	TC [kW]	PI [kW]	TC [kW]	PI [kW]	TC [kW]	PI [kW]	TC [kW]	PI [kW]	TC [kW]	PI [kW]
22+16+10	15	10.95	2.59	10.83	2.61	10.71	2.63	10.65	2.63	10.59	2.64	10.46	2.66
	10	9.95	2.50	9.83	2.52	9.70	2.53	9.64	2.55	9.58	2.56	9.46	2.58
	6	9.15	2.40	9.02	2.42	8.90	2.45	8.84	2.46	8.78	2.47	8.65	2.50
	0	7.94	2.28	7.82	2.30	7.70	2.33	7.64	2.34	7.57	2.35	7.45	2.38
	-5	6.94	2.18	6.82	2.20	6.69	2.23	6.63	2.24	6.57	2.25	6.45	2.27
	-10	5.93	2.08	5.81	2.10	5.69	2.13	5.62	2.13	5.56	2.14	5.44	2.15
	-15	4.93	1.99	4.80	2.01	4.68	2.03	4.62	2.04	4.56	2.05	4.44	2.07
24+16+10	15	10.95	2.59	10.83	2.61	10.71	2.63	10.65	2.63	10.59	2.64	10.46	2.66
	10	9.95	2.50	9.83	2.52	9.70	2.53	9.64	2.55	9.58	2.56	9.46	2.58
	6	9.15	2.40	9.02	2.42	8.90	2.45	8.84	2.46	8.78	2.47	8.65	2.50
	0	7.94	2.28	7.82	2.30	7.70	2.33	7.64	2.34	7.57	2.35	7.45	2.38
	-5	6.94	2.18	6.82	2.20	6.69	2.23	6.63	2.24	6.57	2.25	6.45	2.27
	-10	5.93	2.08	5.81	2.10	5.69	2.13	5.62	2.13	5.56	2.14	5.44	2.15
	-15	4.93	1.99	4.80	2.01	4.68	2.03	4.62	2.04	4.56	2.05	4.44	2.07
18+18+10	15	10.95	2.59	10.83	2.61	10.71	2.63	10.65	2.63	10.59	2.64	10.46	2.66
	10	9.95	2.50	9.83	2.52	9.70	2.53	9.64	2.55	9.58	2.56	9.46	2.58
	6	9.15	2.40	9.02	2.42	8.90	2.45	8.84	2.46	8.78	2.47	8.65	2.50
	0	7.94	2.28	7.82	2.30	7.70	2.33	7.64	2.34	7.57	2.35	7.45	2.38
	-5	6.94	2.18	6.82	2.20	6.69	2.23	6.63	2.24	6.57	2.25	6.45	2.27
	-10	5.93	2.08	5.81	2.10	5.69	2.13	5.62	2.13	5.56	2.14	5.44	2.15
	-15	4.93	1.99	4.80	2.01	4.68	2.03	4.62	2.04	4.56	2.05	4.44	2.07
22+18+10	15	10.95	2.59	10.83	2.61	10.71	2.63	10.65	2.63	10.59	2.64	10.46	2.66
	10	9.95	2.50	9.83	2.52	9.70	2.53	9.64	2.55	9.58	2.56	9.46	2.58
	6	9.15	2.40	9.02	2.42	8.90	2.45	8.84	2.46	8.78	2.47	8.65	2.50
	0	7.94	2.28	7.82	2.30	7.70	2.33	7.64	2.34	7.57	2.35	7.45	2.38
	-5	6.94	2.18	6.82	2.20	6.69	2.23	6.63	2.24	6.57	2.25	6.45	2.27
	-10	5.93	2.08	5.81	2.10	5.69	2.13	5.62	2.13	5.56	2.14	5.44	2.15
	-15	4.93	1.99	4.80	2.01	4.68	2.03	4.62	2.04	4.56	2.05	4.44	2.07
24+18+10	15	10.95	2.59	10.83	2.61	10.71	2.63	10.65	2.63	10.59	2.64	10.46	2.66
	10	9.95	2.50	9.83	2.52	9.70	2.53	9.64	2.55	9.58	2.56	9.46	2.58
	6	9.15	2.40	9.02	2.42	8.90	2.45	8.84	2.46	8.78	2.47	8.65	2.50
	0	7.94	2.28	7.82	2.30	7.70	2.33	7.64	2.34	7.57	2.35	7.45	2.38
	-5	6.94	2.18	6.82	2.20	6.69	2.23	6.63	2.24	6.57	2.25	6.45	2.27
	-10	5.93	2.08	5.81	2.10	5.69	2.13	5.62	2.13	5.56	2.14	5.44	2.15
	-15	4.93	1.99	4.80	2.01	4.68	2.03	4.62	2.04	4.56	2.05	4.44	2.07
13+13+13	15	10.83	2.54	10.71	2.56	10.59	2.58	10.53	2.58	10.47	2.59	10.35	2.60
	10	9.84	2.45	9.71	2.47	9.59	2.48	9.53	2.50	9.47	2.51	9.35	2.53
	6	9.04	2.35	8.92	2.38	8.80	2.40	8.74	2.41	8.68	2.42	8.55	2.44
	0	7.85	2.23	7.73	2.26	7.61	2.28	7.55	2.29	7.49	2.30	7.37	2.33
	-5	6.86	2.14	6.74	2.16	6.62	2.18	6.56	2.19	6.50	2.20	6.37	2.23
	-10	5.87	2.04	5.74	2.06	5.62	2.08	5.56	2.08	5.50	2.09	5.38	2.11
	-15	4.87	1.95	4.75	1.97	4.63	1.99	4.57	2.00	4.51	2.01	4.39	2.03
16+13+13	15	10.95	2.59	10.83	2.61	10.71	2.63	10.65	2.63	10.59	2.64	10.46	2.66
	10	9.95	2.50	9.83	2.52	9.70	2.53	9.64	2.55	9.58	2.56	9.46	2.58
	6	9.15	2.40	9.02	2.42	8.90	2.45	8.84	2.46	8.78	2.47	8.65	2.50
	0	7.94	2.28	7.82	2.30	7.70	2.33	7.64	2.34	7.57	2.35	7.45	2.38
	-5	6.94	2.18	6.82	2.20	6.69	2.23	6.63	2.24	6.57	2.25	6.45	2.27
	-10	5.93	2.08	5.81	2.10	5.69	2.13	5.62	2.13	5.56	2.14	5.44	2.15
	-15	4.93	1.99	4.80	2.01	4.68	2.03	4.62	2.04	4.56	2.05	4.44	2.07

TC : Total capacity[kW]

PI : Power input [kW]

Heating(230V/50Hz)

Combination (Capacity)	Outdoor air temp. [C DB]	Indoor air temp. [C WB]											
		16		18		20		21		22		24	
		TC [kW]	PI [kW]	TC [kW]	PI [kW]	TC [kW]	PI [kW]	TC [kW]	PI [kW]	TC [kW]	PI [kW]	TC [kW]	PI [kW]
18+13+13	15	10.95	2.59	10.83	2.61	10.71	2.63	10.65	2.63	10.59	2.64	10.46	2.66
	10	9.95	2.50	9.83	2.52	9.70	2.53	9.64	2.55	9.58	2.56	9.46	2.58
	6	9.15	2.40	9.02	2.42	8.90	2.45	8.84	2.46	8.78	2.47	8.65	2.50
	0	7.94	2.28	7.82	2.30	7.70	2.33	7.64	2.34	7.57	2.35	7.45	2.38
	-5	6.94	2.18	6.82	2.20	6.69	2.23	6.63	2.24	6.57	2.25	6.45	2.27
	-10	5.93	2.08	5.81	2.10	5.69	2.13	5.62	2.13	5.56	2.14	5.44	2.15
	-15	4.93	1.99	4.80	2.01	4.68	2.03	4.62	2.04	4.56	2.05	4.44	2.07
22+13+13	15	10.95	2.59	10.83	2.61	10.71	2.63	10.65	2.63	10.59	2.64	10.46	2.66
	10	9.95	2.50	9.83	2.52	9.70	2.53	9.64	2.55	9.58	2.56	9.46	2.58
	6	9.15	2.40	9.02	2.42	8.90	2.45	8.84	2.46	8.78	2.47	8.65	2.50
	0	7.94	2.28	7.82	2.30	7.70	2.33	7.64	2.34	7.57	2.35	7.45	2.38
	-5	6.94	2.18	6.82	2.20	6.69	2.23	6.63	2.24	6.57	2.25	6.45	2.27
	-10	5.93	2.08	5.81	2.10	5.69	2.13	5.62	2.13	5.56	2.14	5.44	2.15
	-15	4.93	1.99	4.80	2.01	4.68	2.03	4.62	2.04	4.56	2.05	4.44	2.07
24+13+13	15	10.95	2.59	10.83	2.61	10.71	2.63	10.65	2.63	10.59	2.64	10.46	2.66
	10	9.95	2.50	9.83	2.52	9.70	2.53	9.64	2.55	9.58	2.56	9.46	2.58
	6	9.15	2.40	9.02	2.42	8.90	2.45	8.84	2.46	8.78	2.47	8.65	2.50
	0	7.94	2.28	7.82	2.30	7.70	2.33	7.64	2.34	7.57	2.35	7.45	2.38
	-5	6.94	2.18	6.82	2.20	6.69	2.23	6.63	2.24	6.57	2.25	6.45	2.27
	-10	5.93	2.08	5.81	2.10	5.69	2.13	5.62	2.13	5.56	2.14	5.44	2.15
	-15	4.93	1.99	4.80	2.01	4.68	2.03	4.62	2.04	4.56	2.05	4.44	2.07
16+16+13	15	10.95	2.59	10.83	2.61	10.71	2.63	10.65	2.63	10.59	2.64	10.46	2.66
	10	9.95	2.50	9.83	2.52	9.70	2.53	9.64	2.55	9.58	2.56	9.46	2.58
	6	9.15	2.40	9.02	2.42	8.90	2.45	8.84	2.46	8.78	2.47	8.65	2.50
	0	7.94	2.28	7.82	2.30	7.70	2.33	7.64	2.34	7.57	2.35	7.45	2.38
	-5	6.94	2.18	6.82	2.20	6.69	2.23	6.63	2.24	6.57	2.25	6.45	2.27
	-10	5.93	2.08	5.81	2.10	5.69	2.13	5.62	2.13	5.56	2.14	5.44	2.15
	-15	4.93	1.99	4.80	2.01	4.68	2.03	4.62	2.04	4.56	2.05	4.44	2.07
18+16+13	15	10.95	2.59	10.83	2.61	10.71	2.63	10.65	2.63	10.59	2.64	10.46	2.66
	10	9.95	2.50	9.83	2.52	9.70	2.53	9.64	2.55	9.58	2.56	9.46	2.58
	6	9.15	2.40	9.02	2.42	8.90	2.45	8.84	2.46	8.78	2.47	8.65	2.50
	0	7.94	2.28	7.82	2.30	7.70	2.33	7.64	2.34	7.57	2.35	7.45	2.38
	-5	6.94	2.18	6.82	2.20	6.69	2.23	6.63	2.24	6.57	2.25	6.45	2.27
	-10	5.93	2.08	5.81	2.10	5.69	2.13	5.62	2.13	5.56	2.14	5.44	2.15
	-15	4.93	1.99	4.80	2.01	4.68	2.03	4.62	2.04	4.56	2.05	4.44	2.07
22+16+13	15	10.95	2.59	10.83	2.61	10.71	2.63	10.65	2.63	10.59	2.64	10.46	2.66
	10	9.95	2.50	9.83	2.52	9.70	2.53	9.64	2.55	9.58	2.56	9.46	2.58
	6	9.15	2.40	9.02	2.42	8.90	2.45	8.84	2.46	8.78	2.47	8.65	2.50
	0	7.94	2.28	7.82	2.30	7.70	2.33	7.64	2.34	7.57	2.35	7.45	2.38
	-5	6.94	2.18	6.82	2.20	6.69	2.23	6.63	2.24	6.57	2.25	6.45	2.27
	-10	5.93	2.08	5.81	2.10	5.69	2.13	5.62	2.13	5.56	2.14	5.44	2.15
	-15	4.93	1.99	4.80	2.01	4.68	2.03	4.62	2.04	4.56	2.05	4.44	2.07
24+16+13	15	10.95	2.59	10.83	2.61	10.71	2.63	10.65	2.63	10.59	2.64	10.46	2.66
	10	9.95	2.50	9.83	2.52	9.70	2.53	9.64	2.55	9.58	2.56	9.46	2.58
	6	9.15	2.40	9.02	2.42	8.90	2.45	8.84	2.46	8.78	2.47	8.65	2.50
	0	7.94	2.28	7.82	2.30	7.70	2.33	7.64	2.34	7.57	2.35	7.45	2.38
	-5	6.94	2.18	6.82	2.20	6.69	2.23	6.63	2.24	6.57	2.25	6.45	2.27
	-10	5.93	2.08	5.81	2.10	5.69	2.13	5.62	2.13	5.56	2.14	5.44	2.15
	-15	4.93	1.99	4.80	2.01	4.68	2.03	4.62	2.04	4.56	2.05	4.44	2.07

TC : Total capacity[kW]

PI : Power input [kW]

Heating(230V/50Hz)

Combination (Capacity)	Outdoor air temp.  [C DB]	Indoor air temp. [C WB]											
		16		18		20		21		22		24	
		TC [kW]	PI [kW]	TC [kW]	PI [kW]	TC [kW]	PI [kW]	TC [kW]	PI [kW]	TC [kW]	PI [kW]	TC [kW]	PI [kW]
16+16+16	15	10.95	2.59	10.83	2.61	10.71	2.63	10.65	2.63	10.59	2.64	10.46	2.66
	10	9.95	2.50	9.83	2.52	9.70	2.53	9.64	2.55	9.58	2.56	9.46	2.58
	6	9.15	2.40	9.02	2.42	8.90	2.45	8.84	2.46	8.78	2.47	8.65	2.50
	0	7.94	2.28	7.82	2.30	7.70	2.33	7.64	2.34	7.57	2.35	7.45	2.38
	-5	6.94	2.18	6.82	2.20	6.69	2.23	6.63	2.24	6.57	2.25	6.45	2.27
	-10	5.93	2.08	5.81	2.10	5.69	2.13	5.62	2.13	5.56	2.14	5.44	2.15
	-15	4.93	1.99	4.80	2.01	4.68	2.03	4.62	2.04	4.56	2.05	4.44	2.07
22+16+16	15	10.95	2.59	10.83	2.61	10.71	2.63	10.65	2.63	10.59	2.64	10.46	2.66
	10	9.95	2.50	9.83	2.52	9.70	2.53	9.64	2.55	9.58	2.56	9.46	2.58
	6	9.15	2.40	9.02	2.42	8.90	2.45	8.84	2.46	8.78	2.47	8.65	2.50
	0	7.94	2.28	7.82	2.30	7.70	2.33	7.64	2.34	7.57	2.35	7.45	2.38
	-5	6.94	2.18	6.82	2.20	6.69	2.23	6.63	2.24	6.57	2.25	6.45	2.27
	-10	5.93	2.08	5.81	2.10	5.69	2.13	5.62	2.13	5.56	2.14	5.44	2.15
	-15	4.93	1.99	4.80	2.01	4.68	2.03	4.62	2.04	4.56	2.05	4.44	2.07

TC : Total capacity[kW]

PI : Power input [kW]

Heating(230V/50Hz)

Combination (Capacity)	Outdoor air temp.  [C DB]	Indoor air temp. [C WB]											
		16		18		20		21		22		24	
		TC [kW]	PI [kW]	TC [kW]	PI [kW]	TC [kW]	PI [kW]	TC [kW]	PI [kW]	TC [kW]	PI [kW]	TC [kW]	PI [kW]
07+07+07+07	15	10.30	1.90	10.19	1.91	10.07	1.93	10.01	1.93	9.96	1.93	9.84	1.94
	10	9.36	1.83	9.24	1.84	9.13	1.85	9.07	1.86	9.01	1.87	8.89	1.89
	6	8.60	1.76	8.48	1.77	8.37	1.79	8.31	1.80	8.25	1.81	8.14	1.82
	0	7.47	1.67	7.35	1.69	7.24	1.70	7.18	1.71	7.12	1.72	7.01	1.74
	-5	6.52	1.59	6.41	1.61	6.29	1.63	6.24	1.64	6.18	1.65	6.06	1.66
	-10	5.58	1.52	5.46	1.54	5.35	1.56	5.29	1.56	5.23	1.56	5.12	1.57
	-15	4.63	1.46	4.52	1.47	4.40	1.48	4.34	1.49	4.29	1.50	4.17	1.52
10+07+07+07	15	10.41	1.92	10.30	1.93	10.18	1.95	10.12	1.95	10.06	1.95	9.95	1.97
	10	9.46	1.85	9.34	1.86	9.22	1.87	9.16	1.89	9.11	1.89	8.99	1.91
	6	8.69	1.78	8.58	1.79	8.46	1.81	8.40	1.82	8.34	1.83	8.22	1.85
	0	7.55	1.69	7.43	1.70	7.31	1.72	7.26	1.73	7.20	1.74	7.08	1.76
	-5	6.59	1.61	6.48	1.63	6.36	1.65	6.30	1.66	6.25	1.66	6.13	1.68
	-10	5.64	1.54	5.52	1.55	5.41	1.57	5.35	1.57	5.29	1.58	5.17	1.59
	-15	4.68	1.47	4.57	1.49	4.45	1.50	4.39	1.51	4.33	1.52	4.22	1.53
13+07+07+07	15	10.63	1.96	10.51	1.97	10.39	1.99	10.34	1.99	10.28	1.99	10.16	2.01
	10	9.66	1.89	9.54	1.90	9.42	1.91	9.36	1.93	9.30	1.93	9.18	1.95
	6	8.88	1.81	8.76	1.83	8.64	1.85	8.58	1.86	8.52	1.87	8.40	1.88
	0	7.71	1.72	7.59	1.74	7.47	1.76	7.41	1.77	7.35	1.78	7.23	1.79
	-5	6.74	1.65	6.62	1.66	6.50	1.68	6.44	1.69	6.38	1.70	6.26	1.72
	-10	5.76	1.57	5.64	1.59	5.52	1.61	5.46	1.61	5.40	1.61	5.28	1.62
	-15	4.78	1.51	4.66	1.52	4.55	1.53	4.48	1.54	4.43	1.55	4.31	1.56
16+07+07+07	15	10.74	1.98	10.62	1.99	10.50	2.01	10.44	2.01	10.38	2.02	10.26	2.03
	10	9.76	1.91	9.64	1.92	9.52	1.93	9.46	1.94	9.40	1.95	9.27	1.97
	6	8.97	1.83	8.85	1.85	8.73	1.87	8.67	1.88	8.61	1.89	8.49	1.90
	0	7.79	1.74	7.67	1.76	7.55	1.78	7.49	1.79	7.43	1.79	7.31	1.81
	-5	6.81	1.66	6.68	1.68	6.56	1.70	6.50	1.71	6.44	1.72	6.32	1.73
	-10	5.82	1.59	5.70	1.60	5.58	1.62	5.52	1.62	5.46	1.63	5.34	1.64
	-15	4.83	1.52	4.71	1.54	4.59	1.55	4.53	1.56	4.47	1.57	4.35	1.58
18+07+07+07	15	10.86	2.00	10.73	2.01	10.61	2.03	10.55	2.03	10.49	2.04	10.37	2.05
	10	9.86	1.93	9.74	1.94	9.62	1.95	9.55	1.97	9.49	1.97	9.37	1.99
	6	9.06	1.85	8.94	1.87	8.82	1.89	8.76	1.90	8.70	1.91	8.57	1.92
	0	7.87	1.76	7.75	1.78	7.63	1.80	7.57	1.80	7.51	1.81	7.38	1.83
	-5	6.88	1.68	6.75	1.70	6.63	1.72	6.57	1.73	6.51	1.74	6.39	1.75
	-10	5.88	1.61	5.76	1.62	5.64	1.64	5.57	1.64	5.51	1.65	5.39	1.66
	-15	4.88	1.54	4.76	1.55	4.64	1.56	4.58	1.57	4.52	1.58	4.40	1.60
22+07+07+07	15	10.95	2.01	10.83	2.03	10.71	2.05	10.65	2.05	10.59	2.05	10.46	2.07
	10	9.95	1.94	9.83	1.96	9.70	1.97	9.64	1.98	9.58	1.99	9.46	2.01
	6	9.15	1.87	9.02	1.89	8.90	1.91	8.84	1.91	8.78	1.92	8.65	1.94
	0	7.94	1.77	7.82	1.79	7.70	1.81	7.64	1.82	7.57	1.83	7.45	1.85
	-5	6.94	1.70	6.82	1.71	6.69	1.73	6.63	1.74	6.57	1.75	6.45	1.77
	-10	5.93	1.62	5.81	1.63	5.69	1.65	5.62	1.65	5.56	1.66	5.44	1.67
	-15	4.93	1.55	4.80	1.57	4.68	1.58	4.62	1.59	4.56	1.60	4.44	1.61
24+07+07+07	15	10.95	2.01	10.83	2.03	10.71	2.05	10.65	2.05	10.59	2.05	10.46	2.07
	10	9.95	1.94	9.83	1.96	9.70	1.97	9.64	1.98	9.58	1.99	9.46	2.01
	6	9.15	1.87	9.02	1.89	8.90	1.91	8.84	1.91	8.78	1.92	8.65	1.94
	0	7.94	1.77	7.82	1.79	7.70	1.81	7.64	1.82	7.57	1.83	7.45	1.85
	-5	6.94	1.70	6.82	1.71	6.69	1.73	6.63	1.74	6.57	1.75	6.45	1.77
	-10	5.93	1.62	5.81	1.63	5.69	1.65	5.62	1.65	5.56	1.66	5.44	1.67
	-15	4.93	1.55	4.80	1.57	4.68	1.58	4.62	1.59	4.56	1.60	4.44	1.61

TC : Total capacity[kW]

PI : Power input [kW]

Heating(230V/50Hz)

Combination (Capacity)	Outdoor air temp. [C DB]	Indoor air temp. [C WB]											
		16		18		20		21		22		24	
		TC [kW]	PI [kW]	TC [kW]	PI [kW]	TC [kW]	PI [kW]	TC [kW]	PI [kW]	TC [kW]	PI [kW]	TC [kW]	PI [kW]
10+10+07+07	15	10.63	1.96	10.51	1.97	10.39	1.99	10.34	1.99	10.28	1.99	10.16	2.01
	10	9.66	1.89	9.54	1.90	9.42	1.91	9.36	1.93	9.30	1.93	9.18	1.95
	6	8.88	1.81	8.76	1.83	8.64	1.85	8.58	1.86	8.52	1.87	8.40	1.88
	0	7.71	1.72	7.59	1.74	7.47	1.76	7.41	1.77	7.35	1.78	7.23	1.79
	-5	6.74	1.65	6.62	1.66	6.50	1.68	6.44	1.69	6.38	1.70	6.26	1.72
	-10	5.76	1.57	5.64	1.59	5.52	1.61	5.46	1.61	5.40	1.61	5.28	1.62
	-15	4.78	1.51	4.66	1.52	4.55	1.53	4.48	1.54	4.43	1.55	4.31	1.56
13+10+07+07	15	10.74	1.98	10.62	1.99	10.50	2.01	10.44	2.01	10.38	2.02	10.26	2.03
	10	9.76	1.91	9.64	1.92	9.52	1.93	9.46	1.94	9.40	1.95	9.27	1.97
	6	8.97	1.83	8.85	1.85	8.73	1.87	8.67	1.88	8.61	1.89	8.49	1.90
	0	7.79	1.74	7.67	1.76	7.55	1.78	7.49	1.79	7.43	1.79	7.31	1.81
	-5	6.81	1.66	6.68	1.68	6.56	1.70	6.50	1.71	6.44	1.72	6.32	1.73
	-10	5.82	1.59	5.70	1.60	5.58	1.62	5.52	1.62	5.46	1.63	5.34	1.64
	-15	4.83	1.52	4.71	1.54	4.59	1.55	4.53	1.56	4.47	1.57	4.35	1.58
16+10+07+07	15	10.86	2.00	10.73	2.01	10.61	2.03	10.55	2.03	10.49	2.04	10.37	2.05
	10	9.86	1.93	9.74	1.94	9.62	1.95	9.55	1.97	9.49	1.97	9.37	1.99
	6	9.06	1.85	8.94	1.87	8.82	1.89	8.76	1.90	8.70	1.91	8.57	1.92
	0	7.87	1.76	7.75	1.78	7.63	1.80	7.57	1.80	7.51	1.81	7.38	1.83
	-5	6.88	1.68	6.75	1.70	6.63	1.72	6.57	1.73	6.51	1.74	6.39	1.75
	-10	5.88	1.61	5.76	1.62	5.64	1.64	5.57	1.64	5.51	1.65	5.39	1.66
	-15	4.88	1.54	4.76	1.55	4.64	1.56	4.58	1.57	4.52	1.58	4.40	1.60
18+10+07+07	15	10.95	2.01	10.83	2.03	10.71	2.05	10.65	2.05	10.59	2.05	10.46	2.07
	10	9.95	1.94	9.83	1.96	9.70	1.97	9.64	1.98	9.58	1.99	9.46	2.01
	6	9.15	1.87	9.02	1.89	8.90	1.91	8.84	1.91	8.78	1.92	8.65	1.94
	0	7.94	1.77	7.82	1.79	7.70	1.81	7.64	1.82	7.57	1.83	7.45	1.85
	-5	6.94	1.70	6.82	1.71	6.69	1.73	6.63	1.74	6.57	1.75	6.45	1.77
	-10	5.93	1.62	5.81	1.63	5.69	1.65	5.62	1.65	5.56	1.66	5.44	1.67
	-15	4.93	1.55	4.80	1.57	4.68	1.58	4.62	1.59	4.56	1.60	4.44	1.61
22+10+07+07	15	10.95	2.01	10.83	2.03	10.71	2.05	10.65	2.05	10.59	2.05	10.46	2.07
	10	9.95	1.94	9.83	1.96	9.70	1.97	9.64	1.98	9.58	1.99	9.46	2.01
	6	9.15	1.87	9.02	1.89	8.90	1.91	8.84	1.91	8.78	1.92	8.65	1.94
	0	7.94	1.77	7.82	1.79	7.70	1.81	7.64	1.82	7.57	1.83	7.45	1.85
	-5	6.94	1.70	6.82	1.71	6.69	1.73	6.63	1.74	6.57	1.75	6.45	1.77
	-10	5.93	1.62	5.81	1.63	5.69	1.65	5.62	1.65	5.56	1.66	5.44	1.67
	-15	4.93	1.55	4.80	1.57	4.68	1.58	4.62	1.59	4.56	1.60	4.44	1.61
24+10+07+07	15	10.95	2.01	10.83	2.03	10.71	2.05	10.65	2.05	10.59	2.05	10.46	2.07
	10	9.95	1.94	9.83	1.96	9.70	1.97	9.64	1.98	9.58	1.99	9.46	2.01
	6	9.15	1.87	9.02	1.89	8.90	1.91	8.84	1.91	8.78	1.92	8.65	1.94
	0	7.94	1.77	7.82	1.79	7.70	1.81	7.64	1.82	7.57	1.83	7.45	1.85
	-5	6.94	1.70	6.82	1.71	6.69	1.73	6.63	1.74	6.57	1.75	6.45	1.77
	-10	5.93	1.62	5.81	1.63	5.69	1.65	5.62	1.65	5.56	1.66	5.44	1.67
	-15	4.93	1.55	4.80	1.57	4.68	1.58	4.62	1.59	4.56	1.60	4.44	1.61
13+13+07+07	15	10.95	2.01	10.83	2.03	10.71	2.05	10.65	2.05	10.59	2.05	10.46	2.07
	10	9.95	1.94	9.83	1.96	9.70	1.97	9.64	1.98	9.58	1.99	9.46	2.01
	6	9.15	1.87	9.02	1.89	8.90	1.91	8.84	1.91	8.78	1.92	8.65	1.94
	0	7.94	1.77	7.82	1.79	7.70	1.81	7.64	1.82	7.57	1.83	7.45	1.85
	-5	6.94	1.70	6.82	1.71	6.69	1.73	6.63	1.74	6.57	1.75	6.45	1.77
	-10	5.93	1.62	5.81	1.63	5.69	1.65	5.62	1.65	5.56	1.66	5.44	1.67
	-15	4.93	1.55	4.80	1.57	4.68	1.58	4.62	1.59	4.56	1.60	4.44	1.61

TC : Total capacity[kW]

PI : Power input [kW]

Heating(230V/50Hz)

Combination (Capacity)	Outdoor air temp. [C DB]	Indoor air temp. [C WB]											
		16		18		20		21		22		24	
		TC [kW]	PI [kW]	TC [kW]	PI [kW]	TC [kW]	PI [kW]	TC [kW]	PI [kW]	TC [kW]	PI [kW]	TC [kW]	PI [kW]
16+13+07+07	15	10.95	2.01	10.83	2.03	10.71	2.05	10.65	2.05	10.59	2.05	10.46	2.07
	10	9.95	1.94	9.83	1.96	9.70	1.97	9.64	1.98	9.58	1.99	9.46	2.01
	6	9.15	1.87	9.02	1.89	8.90	1.91	8.84	1.91	8.78	1.92	8.65	1.94
	0	7.94	1.77	7.82	1.79	7.70	1.81	7.64	1.82	7.57	1.83	7.45	1.85
	-5	6.94	1.70	6.82	1.71	6.69	1.73	6.63	1.74	6.57	1.75	6.45	1.77
	-10	5.93	1.62	5.81	1.63	5.69	1.65	5.62	1.65	5.56	1.66	5.44	1.67
	-15	4.93	1.55	4.80	1.57	4.68	1.58	4.62	1.59	4.56	1.60	4.44	1.61
18+13+07+07	15	10.95	2.01	10.83	2.03	10.71	2.05	10.65	2.05	10.59	2.05	10.46	2.07
	10	9.95	1.94	9.83	1.96	9.70	1.97	9.64	1.98	9.58	1.99	9.46	2.01
	6	9.15	1.87	9.02	1.89	8.90	1.91	8.84	1.91	8.78	1.92	8.65	1.94
	0	7.94	1.77	7.82	1.79	7.70	1.81	7.64	1.82	7.57	1.83	7.45	1.85
	-5	6.94	1.70	6.82	1.71	6.69	1.73	6.63	1.74	6.57	1.75	6.45	1.77
	-10	5.93	1.62	5.81	1.63	5.69	1.65	5.62	1.65	5.56	1.66	5.44	1.67
	-15	4.93	1.55	4.80	1.57	4.68	1.58	4.62	1.59	4.56	1.60	4.44	1.61
22+13+07+07	15	10.95	2.01	10.83	2.03	10.71	2.05	10.65	2.05	10.59	2.05	10.46	2.07
	10	9.95	1.94	9.83	1.96	9.70	1.97	9.64	1.98	9.58	1.99	9.46	2.01
	6	9.15	1.87	9.02	1.89	8.90	1.91	8.84	1.91	8.78	1.92	8.65	1.94
	0	7.94	1.77	7.82	1.79	7.70	1.81	7.64	1.82	7.57	1.83	7.45	1.85
	-5	6.94	1.70	6.82	1.71	6.69	1.73	6.63	1.74	6.57	1.75	6.45	1.77
	-10	5.93	1.62	5.81	1.63	5.69	1.65	5.62	1.65	5.56	1.66	5.44	1.67
	-15	4.93	1.55	4.80	1.57	4.68	1.58	4.62	1.59	4.56	1.60	4.44	1.61
24+13+07+07	15	10.95	2.01	10.83	2.03	10.71	2.05	10.65	2.05	10.59	2.05	10.46	2.07
	10	9.95	1.94	9.83	1.96	9.70	1.97	9.64	1.98	9.58	1.99	9.46	2.01
	6	9.15	1.87	9.02	1.89	8.90	1.91	8.84	1.91	8.78	1.92	8.65	1.94
	0	7.94	1.77	7.82	1.79	7.70	1.81	7.64	1.82	7.57	1.83	7.45	1.85
	-5	6.94	1.70	6.82	1.71	6.69	1.73	6.63	1.74	6.57	1.75	6.45	1.77
	-10	5.93	1.62	5.81	1.63	5.69	1.65	5.62	1.65	5.56	1.66	5.44	1.67
	-15	4.93	1.55	4.80	1.57	4.68	1.58	4.62	1.59	4.56	1.60	4.44	1.61
16+16+07+07	15	10.95	2.01	10.83	2.03	10.71	2.05	10.65	2.05	10.59	2.05	10.46	2.07
	10	9.95	1.94	9.83	1.96	9.70	1.97	9.64	1.98	9.58	1.99	9.46	2.01
	6	9.15	1.87	9.02	1.89	8.90	1.91	8.84	1.91	8.78	1.92	8.65	1.94
	0	7.94	1.77	7.82	1.79	7.70	1.81	7.64	1.82	7.57	1.83	7.45	1.85
	-5	6.94	1.70	6.82	1.71	6.69	1.73	6.63	1.74	6.57	1.75	6.45	1.77
	-10	5.93	1.62	5.81	1.63	5.69	1.65	5.62	1.65	5.56	1.66	5.44	1.67
	-15	4.93	1.55	4.80	1.57	4.68	1.58	4.62	1.59	4.56	1.60	4.44	1.61
18+16+07+07	15	10.95	2.01	10.83	2.03	10.71	2.05	10.65	2.05	10.59	2.05	10.46	2.07
	10	9.95	1.94	9.83	1.96	9.70	1.97	9.64	1.98	9.58	1.99	9.46	2.01
	6	9.15	1.87	9.02	1.89	8.90	1.91	8.84	1.91	8.78	1.92	8.65	1.94
	0	7.94	1.77	7.82	1.79	7.70	1.81	7.64	1.82	7.57	1.83	7.45	1.85
	-5	6.94	1.70	6.82	1.71	6.69	1.73	6.63	1.74	6.57	1.75	6.45	1.77
	-10	5.93	1.62	5.81	1.63	5.69	1.65	5.62	1.65	5.56	1.66	5.44	1.67
	-15	4.93	1.55	4.80	1.57	4.68	1.58	4.62	1.59	4.56	1.60	4.44	1.61
18+18+07+07	15	10.95	2.01	10.83	2.03	10.71	2.05	10.65	2.05	10.59	2.05	10.46	2.07
	10	9.95	1.94	9.83	1.96	9.70	1.97	9.64	1.98	9.58	1.99	9.46	2.01
	6	9.15	1.87	9.02	1.89	8.90	1.91	8.84	1.91	8.78	1.92	8.65	1.94
	0	7.94	1.77	7.82	1.79	7.70	1.81	7.64	1.82	7.57	1.83	7.45	1.85
	-5	6.94	1.70	6.82	1.71	6.69	1.73	6.63	1.74	6.57	1.75	6.45	1.77
	-10	5.93	1.62	5.81	1.63	5.69	1.65	5.62	1.65	5.56	1.66	5.44	1.67
	-15	4.93	1.55	4.80	1.57	4.68	1.58	4.62	1.59	4.56	1.60	4.44	1.61

TC : Total capacity[kW]

PI : Power input [kW]

Heating(230V/50Hz)

Combination (Capacity)	Outdoor air temp. [C DB]	Indoor air temp. [C WB]											
		16		18		20		21		22		24	
		TC [kW]	PI [kW]	TC [kW]	PI [kW]	TC [kW]	PI [kW]	TC [kW]	PI [kW]	TC [kW]	PI [kW]	TC [kW]	PI [kW]
10+10+10+07	15	10.63	1.96	10.51	1.97	10.39	1.99	10.34	1.99	10.28	1.99	10.16	2.01
	10	9.66	1.89	9.54	1.90	9.42	1.91	9.36	1.93	9.30	1.93	9.18	1.95
	6	8.88	1.81	8.76	1.83	8.64	1.85	8.58	1.86	8.52	1.87	8.40	1.88
	0	7.71	1.72	7.59	1.74	7.47	1.76	7.41	1.77	7.35	1.78	7.23	1.79
	-5	6.74	1.65	6.62	1.66	6.50	1.68	6.44	1.69	6.38	1.70	6.26	1.72
	-10	5.76	1.57	5.64	1.59	5.52	1.61	5.46	1.61	5.40	1.61	5.28	1.62
	-15	4.78	1.51	4.66	1.52	4.55	1.53	4.48	1.54	4.43	1.55	4.31	1.56
13+10+10+07	15	10.86	2.00	10.73	2.01	10.61	2.03	10.55	2.03	10.49	2.04	10.37	2.05
	10	9.86	1.93	9.74	1.94	9.62	1.95	9.55	1.97	9.49	1.97	9.37	1.99
	6	9.06	1.85	8.94	1.87	8.82	1.89	8.76	1.90	8.70	1.91	8.57	1.92
	0	7.87	1.76	7.75	1.78	7.63	1.80	7.57	1.80	7.51	1.81	7.38	1.83
	-5	6.88	1.68	6.75	1.70	6.63	1.72	6.57	1.73	6.51	1.74	6.39	1.75
	-10	5.88	1.61	5.76	1.62	5.64	1.64	5.57	1.64	5.51	1.65	5.39	1.66
	-15	4.88	1.54	4.76	1.55	4.64	1.56	4.58	1.57	4.52	1.58	4.40	1.60
16+10+10+07	15	10.95	2.01	10.83	2.03	10.71	2.05	10.65	2.05	10.59	2.05	10.46	2.07
	10	9.95	1.94	9.83	1.96	9.70	1.97	9.64	1.98	9.58	1.99	9.46	2.01
	6	9.15	1.87	9.02	1.89	8.90	1.91	8.84	1.91	8.78	1.92	8.65	1.94
	0	7.94	1.77	7.82	1.79	7.70	1.81	7.64	1.82	7.57	1.83	7.45	1.85
	-5	6.94	1.70	6.82	1.71	6.69	1.73	6.63	1.74	6.57	1.75	6.45	1.77
	-10	5.93	1.62	5.81	1.63	5.69	1.65	5.62	1.65	5.56	1.66	5.44	1.67
	-15	4.93	1.55	4.80	1.57	4.68	1.58	4.62	1.59	4.56	1.60	4.44	1.61
18+10+10+07	15	10.95	2.01	10.83	2.03	10.71	2.05	10.65	2.05	10.59	2.05	10.46	2.07
	10	9.95	1.94	9.83	1.96	9.70	1.97	9.64	1.98	9.58	1.99	9.46	2.01
	6	9.15	1.87	9.02	1.89	8.90	1.91	8.84	1.91	8.78	1.92	8.65	1.94
	0	7.94	1.77	7.82	1.79	7.70	1.81	7.64	1.82	7.57	1.83	7.45	1.85
	-5	6.94	1.70	6.82	1.71	6.69	1.73	6.63	1.74	6.57	1.75	6.45	1.77
	-10	5.93	1.62	5.81	1.63	5.69	1.65	5.62	1.65	5.56	1.66	5.44	1.67
	-15	4.93	1.55	4.80	1.57	4.68	1.58	4.62	1.59	4.56	1.60	4.44	1.61
22+10+10+07	15	10.95	2.01	10.83	2.03	10.71	2.05	10.65	2.05	10.59	2.05	10.46	2.07
	10	9.95	1.94	9.83	1.96	9.70	1.97	9.64	1.98	9.58	1.99	9.46	2.01
	6	9.15	1.87	9.02	1.89	8.90	1.91	8.84	1.91	8.78	1.92	8.65	1.94
	0	7.94	1.77	7.82	1.79	7.70	1.81	7.64	1.82	7.57	1.83	7.45	1.85
	-5	6.94	1.70	6.82	1.71	6.69	1.73	6.63	1.74	6.57	1.75	6.45	1.77
	-10	5.93	1.62	5.81	1.63	5.69	1.65	5.62	1.65	5.56	1.66	5.44	1.67
	-15	4.93	1.55	4.80	1.57	4.68	1.58	4.62	1.59	4.56	1.60	4.44	1.61
24+10+10+07	15	10.95	2.01	10.83	2.03	10.71	2.05	10.65	2.05	10.59	2.05	10.46	2.07
	10	9.95	1.94	9.83	1.96	9.70	1.97	9.64	1.98	9.58	1.99	9.46	2.01
	6	9.15	1.87	9.02	1.89	8.90	1.91	8.84	1.91	8.78	1.92	8.65	1.94
	0	7.94	1.77	7.82	1.79	7.70	1.81	7.64	1.82	7.57	1.83	7.45	1.85
	-5	6.94	1.70	6.82	1.71	6.69	1.73	6.63	1.74	6.57	1.75	6.45	1.77
	-10	5.93	1.62	5.81	1.63	5.69	1.65	5.62	1.65	5.56	1.66	5.44	1.67
	-15	4.93	1.55	4.80	1.57	4.68	1.58	4.62	1.59	4.56	1.60	4.44	1.61
13+13+10+07	15	10.95	2.01	10.83	2.03	10.71	2.05	10.65	2.05	10.59	2.05	10.46	2.07
	10	9.95	1.94	9.83	1.96	9.70	1.97	9.64	1.98	9.58	1.99	9.46	2.01
	6	9.15	1.87	9.02	1.89	8.90	1.91	8.84	1.91	8.78	1.92	8.65	1.94
	0	7.94	1.77	7.82	1.79	7.70	1.81	7.64	1.82	7.57	1.83	7.45	1.85
	-5	6.94	1.70	6.82	1.71	6.69	1.73	6.63	1.74	6.57	1.75	6.45	1.77
	-10	5.93	1.62	5.81	1.63	5.69	1.65	5.62	1.65	5.56	1.66	5.44	1.67
	-15	4.93	1.55	4.80	1.57	4.68	1.58	4.62	1.59	4.56	1.60	4.44	1.61

TC : Total capacity[kW]

PI : Power input [kW]

Heating(230V/50Hz)

Combination (Capacity)	Outdoor air temp. [C DB]	Indoor air temp. [C WB]											
		16		18		20		21		22		24	
		TC [kW]	PI [kW]	TC [kW]	PI [kW]	TC [kW]	PI [kW]	TC [kW]	PI [kW]	TC [kW]	PI [kW]	TC [kW]	PI [kW]
16+13+10+07	15	10.95	2.01	10.83	2.03	10.71	2.05	10.65	2.05	10.59	2.05	10.46	2.07
	10	9.95	1.94	9.83	1.96	9.70	1.97	9.64	1.98	9.58	1.99	9.46	2.01
	6	9.15	1.87	9.02	1.89	8.90	1.91	8.84	1.91	8.78	1.92	8.65	1.94
	0	7.94	1.77	7.82	1.79	7.70	1.81	7.64	1.82	7.57	1.83	7.45	1.85
	-5	6.94	1.70	6.82	1.71	6.69	1.73	6.63	1.74	6.57	1.75	6.45	1.77
	-10	5.93	1.62	5.81	1.63	5.69	1.65	5.62	1.65	5.56	1.66	5.44	1.67
	-15	4.93	1.55	4.80	1.57	4.68	1.58	4.62	1.59	4.56	1.60	4.44	1.61
18+13+10+07	15	10.95	2.01	10.83	2.03	10.71	2.05	10.65	2.05	10.59	2.05	10.46	2.07
	10	9.95	1.94	9.83	1.96	9.70	1.97	9.64	1.98	9.58	1.99	9.46	2.01
	6	9.15	1.87	9.02	1.89	8.90	1.91	8.84	1.91	8.78	1.92	8.65	1.94
	0	7.94	1.77	7.82	1.79	7.70	1.81	7.64	1.82	7.57	1.83	7.45	1.85
	-5	6.94	1.70	6.82	1.71	6.69	1.73	6.63	1.74	6.57	1.75	6.45	1.77
	-10	5.93	1.62	5.81	1.63	5.69	1.65	5.62	1.65	5.56	1.66	5.44	1.67
	-15	4.93	1.55	4.80	1.57	4.68	1.58	4.62	1.59	4.56	1.60	4.44	1.61
22+13+10+07	15	11.08	2.04	10.95	2.05	10.83	2.07	10.77	2.07	10.71	2.08	10.58	2.09
	10	10.06	1.97	9.94	1.98	9.81	1.99	9.75	2.01	9.69	2.01	9.56	2.03
	6	9.25	1.89	9.12	1.91	9.00	1.93	8.94	1.93	8.87	1.94	8.75	1.96
	0	8.03	1.79	7.91	1.81	7.78	1.83	7.72	1.84	7.66	1.85	7.54	1.87
	-5	7.02	1.71	6.89	1.73	6.77	1.75	6.71	1.76	6.64	1.77	6.52	1.79
	-10	6.00	1.64	5.87	1.65	5.75	1.67	5.69	1.67	5.62	1.68	5.50	1.69
	-15	4.98	1.57	4.86	1.58	4.74	1.59	4.67	1.61	4.61	1.61	4.49	1.63
24+13+10+07	15	11.08	2.04	10.95	2.05	10.83	2.07	10.77	2.07	10.71	2.08	10.58	2.09
	10	10.06	1.97	9.94	1.98	9.81	1.99	9.75	2.01	9.69	2.01	9.56	2.03
	6	9.25	1.89	9.12	1.91	9.00	1.93	8.94	1.93	8.87	1.94	8.75	1.96
	0	8.03	1.79	7.91	1.81	7.78	1.83	7.72	1.84	7.66	1.85	7.54	1.87
	-5	7.02	1.71	6.89	1.73	6.77	1.75	6.71	1.76	6.64	1.77	6.52	1.79
	-10	6.00	1.64	5.87	1.65	5.75	1.67	5.69	1.67	5.62	1.68	5.50	1.69
	-15	4.98	1.57	4.86	1.58	4.74	1.59	4.67	1.61	4.61	1.61	4.49	1.63
16+16+10+07	15	10.95	2.01	10.83	2.03	10.71	2.05	10.65	2.05	10.59	2.05	10.46	2.07
	10	9.95	1.94	9.83	1.96	9.70	1.97	9.64	1.98	9.58	1.99	9.46	2.01
	6	9.15	1.87	9.02	1.89	8.90	1.91	8.84	1.91	8.78	1.92	8.65	1.94
	0	7.94	1.77	7.82	1.79	7.70	1.81	7.64	1.82	7.57	1.83	7.45	1.85
	-5	6.94	1.70	6.82	1.71	6.69	1.73	6.63	1.74	6.57	1.75	6.45	1.77
	-10	5.93	1.62	5.81	1.63	5.69	1.65	5.62	1.65	5.56	1.66	5.44	1.67
	-15	4.93	1.55	4.80	1.57	4.68	1.58	4.62	1.59	4.56	1.60	4.44	1.61
18+16+10+07	15	10.95	2.01	10.83	2.03	10.71	2.05	10.65	2.05	10.59	2.05	10.46	2.07
	10	9.95	1.94	9.83	1.96	9.70	1.97	9.64	1.98	9.58	1.99	9.46	2.01
	6	9.15	1.87	9.02	1.89	8.90	1.91	8.84	1.91	8.78	1.92	8.65	1.94
	0	7.94	1.77	7.82	1.79	7.70	1.81	7.64	1.82	7.57	1.83	7.45	1.85
	-5	6.94	1.70	6.82	1.71	6.69	1.73	6.63	1.74	6.57	1.75	6.45	1.77
	-10	5.93	1.62	5.81	1.63	5.69	1.65	5.62	1.65	5.56	1.66	5.44	1.67
	-15	4.93	1.55	4.80	1.57	4.68	1.58	4.62	1.59	4.56	1.60	4.44	1.61
18+18+10+07	15	11.08	2.04	10.95	2.05	10.83	2.07	10.77	2.07	10.71	2.08	10.58	2.09
	10	10.06	1.97	9.94	1.98	9.81	1.99	9.75	2.01	9.69	2.01	9.56	2.03
	6	9.25	1.89	9.12	1.91	9.00	1.93	8.94	1.93	8.87	1.94	8.75	1.96
	0	8.03	1.79	7.91	1.81	7.78	1.83	7.72	1.84	7.66	1.85	7.54	1.87
	-5	7.02	1.71	6.89	1.73	6.77	1.75	6.71	1.76	6.64	1.77	6.52	1.79
	-10	6.00	1.64	5.87	1.65	5.75	1.67	5.69	1.67	5.62	1.68	5.50	1.69
	-15	4.98	1.57	4.86	1.58	4.74	1.59	4.67	1.61	4.61	1.61	4.49	1.63

TC : Total capacity[kW]

PI : Power input [kW]



Heating(230V/50Hz)

Combination (Capacity)	Outdoor air temp. [C DB]	Indoor air temp. [C WB]											
		16		18		20		21		22		24	
		TC [kW]	PI [kW]	TC [kW]	PI [kW]	TC [kW]	PI [kW]	TC [kW]	PI [kW]	TC [kW]	PI [kW]	TC [kW]	PI [kW]
13+13+13+07	15	10.95	2.01	10.83	2.03	10.71	2.05	10.65	2.05	10.59	2.05	10.46	2.07
	10	9.95	1.94	9.83	1.96	9.70	1.97	9.64	1.98	9.58	1.99	9.46	2.01
	6	9.15	1.87	9.02	1.89	8.90	1.91	8.84	1.91	8.78	1.92	8.65	1.94
	0	7.94	1.77	7.82	1.79	7.70	1.81	7.64	1.82	7.57	1.83	7.45	1.85
	-5	6.94	1.70	6.82	1.71	6.69	1.73	6.63	1.74	6.57	1.75	6.45	1.77
	-10	5.93	1.62	5.81	1.63	5.69	1.65	5.62	1.65	5.56	1.66	5.44	1.67
	-15	4.93	1.55	4.80	1.57	4.68	1.58	4.62	1.59	4.56	1.60	4.44	1.61
16+13+13+07	15	10.95	2.01	10.83	2.03	10.71	2.05	10.65	2.05	10.59	2.05	10.46	2.07
	10	9.95	1.94	9.83	1.96	9.70	1.97	9.64	1.98	9.58	1.99	9.46	2.01
	6	9.15	1.87	9.02	1.89	8.90	1.91	8.84	1.91	8.78	1.92	8.65	1.94
	0	7.94	1.77	7.82	1.79	7.70	1.81	7.64	1.82	7.57	1.83	7.45	1.85
	-5	6.94	1.70	6.82	1.71	6.69	1.73	6.63	1.74	6.57	1.75	6.45	1.77
	-10	5.93	1.62	5.81	1.63	5.69	1.65	5.62	1.65	5.56	1.66	5.44	1.67
	-15	4.93	1.55	4.80	1.57	4.68	1.58	4.62	1.59	4.56	1.60	4.44	1.61
18+13+13+07	15	10.95	2.01	10.83	2.03	10.71	2.05	10.65	2.05	10.59	2.05	10.46	2.07
	10	9.95	1.94	9.83	1.96	9.70	1.97	9.64	1.98	9.58	1.99	9.46	2.01
	6	9.15	1.87	9.02	1.89	8.90	1.91	8.84	1.91	8.78	1.92	8.65	1.94
	0	7.94	1.77	7.82	1.79	7.70	1.81	7.64	1.82	7.57	1.83	7.45	1.85
	-5	6.94	1.70	6.82	1.71	6.69	1.73	6.63	1.74	6.57	1.75	6.45	1.77
	-10	5.93	1.62	5.81	1.63	5.69	1.65	5.62	1.65	5.56	1.66	5.44	1.67
	-15	4.93	1.55	4.80	1.57	4.68	1.58	4.62	1.59	4.56	1.60	4.44	1.61
16+16+13+07	15	11.08	2.04	10.95	2.05	10.83	2.07	10.77	2.07	10.71	2.08	10.58	2.09
	10	10.06	1.97	9.94	1.98	9.81	1.99	9.75	2.01	9.69	2.01	9.56	2.03
	6	9.25	1.89	9.12	1.91	9.00	1.93	8.94	1.93	8.87	1.94	8.75	1.96
	0	8.03	1.79	7.91	1.81	7.78	1.83	7.72	1.84	7.66	1.85	7.54	1.87
	-5	7.02	1.71	6.89	1.73	6.77	1.75	6.71	1.76	6.64	1.77	6.52	1.79
	-10	6.00	1.64	5.87	1.65	5.75	1.67	5.69	1.67	5.62	1.68	5.50	1.69
	-15	4.98	1.57	4.86	1.58	4.74	1.59	4.67	1.61	4.61	1.61	4.49	1.63
18+16+13+07	15	11.08	2.04	10.95	2.05	10.83	2.07	10.77	2.07	10.71	2.08	10.58	2.09
	10	10.06	1.97	9.94	1.98	9.81	1.99	9.75	2.01	9.69	2.01	9.56	2.03
	6	9.25	1.89	9.12	1.91	9.00	1.93	8.94	1.93	8.87	1.94	8.75	1.96
	0	8.03	1.79	7.91	1.81	7.78	1.83	7.72	1.84	7.66	1.85	7.54	1.87
	-5	7.02	1.71	6.89	1.73	6.77	1.75	6.71	1.76	6.64	1.77	6.52	1.79
	-10	6.00	1.64	5.87	1.65	5.75	1.67	5.69	1.67	5.62	1.68	5.50	1.69
	-15	4.98	1.57	4.86	1.58	4.74	1.59	4.67	1.61	4.61	1.61	4.49	1.63
10+10+10+10	15	10.74	1.98	10.62	1.99	10.50	2.01	10.44	2.01	10.38	2.02	10.26	2.03
	10	9.76	1.91	9.64	1.92	9.52	1.93	9.46	1.94	9.40	1.95	9.27	1.97
	6	8.97	1.83	8.85	1.85	8.73	1.87	8.67	1.88	8.61	1.89	8.49	1.90
	0	7.79	1.74	7.67	1.76	7.55	1.78	7.49	1.79	7.43	1.79	7.31	1.81
	-5	6.81	1.66	6.68	1.68	6.56	1.70	6.50	1.71	6.44	1.72	6.32	1.73
	-10	5.82	1.59	5.70	1.60	5.58	1.62	5.52	1.62	5.46	1.63	5.34	1.64
	-15	4.83	1.52	4.71	1.54	4.59	1.55	4.53	1.56	4.47	1.57	4.35	1.58
13+10+10+10	15	10.95	2.01	10.83	2.03	10.71	2.05	10.65	2.05	10.59	2.05	10.46	2.07
	10	9.95	1.94	9.83	1.96	9.70	1.97	9.64	1.98	9.58	1.99	9.46	2.01
	6	9.15	1.87	9.02	1.89	8.90	1.91	8.84	1.91	8.78	1.92	8.65	1.94
	0	7.94	1.77	7.82	1.79	7.70	1.81	7.64	1.82	7.57	1.83	7.45	1.85
	-5	6.94	1.70	6.82	1.71	6.69	1.73	6.63	1.74	6.57	1.75	6.45	1.77
	-10	5.93	1.62	5.81	1.63	5.69	1.65	5.62	1.65	5.56	1.66	5.44	1.67
	-15	4.93	1.55	4.80	1.57	4.68	1.58	4.62	1.59	4.56	1.60	4.44	1.61

TC : Total capacity[kW]

PI : Power input [kW]

Heating(230V/50Hz)

Combination (Capacity)	Outdoor air temp. [C DB]	Indoor air temp. [C WB]											
		16		18		20		21		22		24	
		TC [kW]	PI [kW]	TC [kW]	PI [kW]	TC [kW]	PI [kW]	TC [kW]	PI [kW]	TC [kW]	PI [kW]	TC [kW]	PI [kW]
16+10+10+10	15	10.95	2.01	10.83	2.03	10.71	2.05	10.65	2.05	10.59	2.05	10.46	2.07
	10	9.95	1.94	9.83	1.96	9.70	1.97	9.64	1.98	9.58	1.99	9.46	2.01
	6	9.15	1.87	9.02	1.89	8.90	1.91	8.84	1.91	8.78	1.92	8.65	1.94
	0	7.94	1.77	7.82	1.79	7.70	1.81	7.64	1.82	7.57	1.83	7.45	1.85
	-5	6.94	1.70	6.82	1.71	6.69	1.73	6.63	1.74	6.57	1.75	6.45	1.77
	-10	5.93	1.62	5.81	1.63	5.69	1.65	5.62	1.65	5.56	1.66	5.44	1.67
	-15	4.93	1.55	4.80	1.57	4.68	1.58	4.62	1.59	4.56	1.60	4.44	1.61
18+10+10+10	15	10.95	2.01	10.83	2.03	10.71	2.05	10.65	2.05	10.59	2.05	10.46	2.07
	10	9.95	1.94	9.83	1.96	9.70	1.97	9.64	1.98	9.58	1.99	9.46	2.01
	6	9.15	1.87	9.02	1.89	8.90	1.91	8.84	1.91	8.78	1.92	8.65	1.94
	0	7.94	1.77	7.82	1.79	7.70	1.81	7.64	1.82	7.57	1.83	7.45	1.85
	-5	6.94	1.70	6.82	1.71	6.69	1.73	6.63	1.74	6.57	1.75	6.45	1.77
	-10	5.93	1.62	5.81	1.63	5.69	1.65	5.62	1.65	5.56	1.66	5.44	1.67
	-15	4.93	1.55	4.80	1.57	4.68	1.58	4.62	1.59	4.56	1.60	4.44	1.61
22+10+10+10	15	11.08	2.04	10.95	2.05	10.83	2.07	10.77	2.07	10.71	2.08	10.58	2.09
	10	10.06	1.97	9.94	1.98	9.81	1.99	9.75	2.01	9.69	2.01	9.56	2.03
	6	9.25	1.89	9.12	1.91	9.00	1.93	8.94	1.93	8.87	1.94	8.75	1.96
	0	8.03	1.79	7.91	1.81	7.78	1.83	7.72	1.84	7.66	1.85	7.54	1.87
	-5	7.02	1.71	6.89	1.73	6.77	1.75	6.71	1.76	6.64	1.77	6.52	1.79
	-10	6.00	1.64	5.87	1.65	5.75	1.67	5.69	1.67	5.62	1.68	5.50	1.69
	-15	4.98	1.57	4.86	1.58	4.74	1.59	4.67	1.61	4.61	1.61	4.49	1.63
24+10+10+10	15	11.08	2.04	10.95	2.05	10.83	2.07	10.77	2.07	10.71	2.08	10.58	2.09
	10	10.06	1.97	9.94	1.98	9.81	1.99	9.75	2.01	9.69	2.01	9.56	2.03
	6	9.25	1.89	9.12	1.91	9.00	1.93	8.94	1.93	8.87	1.94	8.75	1.96
	0	8.03	1.79	7.91	1.81	7.78	1.83	7.72	1.84	7.66	1.85	7.54	1.87
	-5	7.02	1.71	6.89	1.73	6.77	1.75	6.71	1.76	6.64	1.77	6.52	1.79
	-10	6.00	1.64	5.87	1.65	5.75	1.67	5.69	1.67	5.62	1.68	5.50	1.69
	-15	4.98	1.57	4.86	1.58	4.74	1.59	4.67	1.61	4.61	1.61	4.49	1.63
13+13+10+10	15	10.95	2.01	10.83	2.03	10.71	2.05	10.65	2.05	10.59	2.05	10.46	2.07
	10	9.95	1.94	9.83	1.96	9.70	1.97	9.64	1.98	9.58	1.99	9.46	2.01
	6	9.15	1.87	9.02	1.89	8.90	1.91	8.84	1.91	8.78	1.92	8.65	1.94
	0	7.94	1.77	7.82	1.79	7.70	1.81	7.64	1.82	7.57	1.83	7.45	1.85
	-5	6.94	1.70	6.82	1.71	6.69	1.73	6.63	1.74	6.57	1.75	6.45	1.77
	-10	5.93	1.62	5.81	1.63	5.69	1.65	5.62	1.65	5.56	1.66	5.44	1.67
	-15	4.93	1.55	4.80	1.57	4.68	1.58	4.62	1.59	4.56	1.60	4.44	1.61
16+13+10+10	15	10.95	2.01	10.83	2.03	10.71	2.05	10.65	2.05	10.59	2.05	10.46	2.07
	10	9.95	1.94	9.83	1.96	9.70	1.97	9.64	1.98	9.58	1.99	9.46	2.01
	6	9.15	1.87	9.02	1.89	8.90	1.91	8.84	1.91	8.78	1.92	8.65	1.94
	0	7.94	1.77	7.82	1.79	7.70	1.81	7.64	1.82	7.57	1.83	7.45	1.85
	-5	6.94	1.70	6.82	1.71	6.69	1.73	6.63	1.74	6.57	1.75	6.45	1.77
	-10	5.93	1.62	5.81	1.63	5.69	1.65	5.62	1.65	5.56	1.66	5.44	1.67
	-15	4.93	1.55	4.80	1.57	4.68	1.58	4.62	1.59	4.56	1.60	4.44	1.61
16+16+10+10	15	11.08	2.04	10.95	2.05	10.83	2.07	10.77	2.07	10.71	2.08	10.58	2.09
	10	10.06	1.97	9.94	1.98	9.81	1.99	9.75	2.01	9.69	2.01	9.56	2.03
	6	9.25	1.89	9.12	1.91	9.00	1.93	8.94	1.93	8.87	1.94	8.75	1.96
	0	8.03	1.79	7.91	1.81	7.78	1.83	7.72	1.84	7.66	1.85	7.54	1.87
	-5	7.02	1.71	6.89	1.73	6.77	1.75	6.71	1.76	6.64	1.77	6.52	1.79
	-10	6.00	1.64	5.87	1.65	5.75	1.67	5.69	1.67	5.62	1.68	5.50	1.69
	-15	4.98	1.57	4.86	1.58	4.74	1.59	4.67	1.61	4.61	1.61	4.49	1.63

TC : Total capacity[kW]

PI : Power input [kW]

Combination (Capacity)	Outdoor air temp. [C DB]	Indoor air temp. [C WB]											
		16		18		20		21		22		24	
		TC [kW]	PI [kW]	TC [kW]	PI [kW]	TC [kW]	PI [kW]	TC [kW]	PI [kW]	TC [kW]	PI [kW]	TC [kW]	PI [kW]
18+13+10+10	15	10.95	2.01	10.83	2.03	10.71	2.05	10.65	2.05	10.59	2.05	10.46	2.07
	10	9.95	1.94	9.83	1.96	9.70	1.97	9.64	1.98	9.58	1.99	9.46	2.01
	6	9.15	1.87	9.02	1.89	8.90	1.91	8.84	1.91	8.78	1.92	8.65	1.94
	0	7.94	1.77	7.82	1.79	7.70	1.81	7.64	1.82	7.57	1.83	7.45	1.85
	-5	6.94	1.70	6.82	1.71	6.69	1.73	6.63	1.74	6.57	1.75	6.45	1.77
	-10	5.93	1.62	5.81	1.63	5.69	1.65	5.62	1.65	5.56	1.66	5.44	1.67
	-15	4.93	1.55	4.80	1.57	4.68	1.58	4.62	1.59	4.56	1.60	4.44	1.61
18+16+10+10	15	11.08	2.04	10.95	2.05	10.83	2.07	10.77	2.07	10.71	2.08	10.58	2.09
	10	10.06	1.97	9.94	1.98	9.81	1.99	9.75	2.01	9.69	2.01	9.56	2.03
	6	9.25	1.89	9.12	1.91	9.00	1.93	8.94	1.93	8.87	1.94	8.75	1.96
	0	8.03	1.79	7.91	1.81	7.78	1.83	7.72	1.84	7.66	1.85	7.54	1.87
	-5	7.02	1.71	6.89	1.73	6.77	1.75	6.71	1.76	6.64	1.77	6.52	1.79
	-10	6.00	1.64	5.87	1.65	5.75	1.67	5.69	1.67	5.62	1.68	5.50	1.69
	-15	4.98	1.57	4.86	1.58	4.74	1.59	4.67	1.61	4.61	1.61	4.49	1.63
13+13+13+10	15	10.95	2.01	10.83	2.03	10.71	2.05	10.65	2.05	10.59	2.05	10.46	2.07
	10	9.95	1.94	9.83	1.96	9.70	1.97	9.64	1.98	9.58	1.99	9.46	2.01
	6	9.15	1.87	9.02	1.89	8.90	1.91	8.84	1.91	8.78	1.92	8.65	1.94
	0	7.94	1.77	7.82	1.79	7.70	1.81	7.64	1.82	7.57	1.83	7.45	1.85
	-5	6.94	1.70	6.82	1.71	6.69	1.73	6.63	1.74	6.57	1.75	6.45	1.77
	-10	5.93	1.62	5.81	1.63	5.69	1.65	5.62	1.65	5.56	1.66	5.44	1.67
	-15	4.93	1.55	4.80	1.57	4.68	1.58	4.62	1.59	4.56	1.60	4.44	1.61
16+13+13+10	15	11.08	2.04	10.95	2.05	10.83	2.07	10.77	2.07	10.71	2.08	10.58	2.09
	10	10.06	1.97	9.94	1.98	9.81	1.99	9.75	2.01	9.69	2.01	9.56	2.03
	6	9.25	1.89	9.12	1.91	9.00	1.93	8.94	1.93	8.87	1.94	8.75	1.96
	0	8.03	1.79	7.91	1.81	7.78	1.83	7.72	1.84	7.66	1.85	7.54	1.87
	-5	7.02	1.71	6.89	1.73	6.77	1.75	6.71	1.76	6.64	1.77	6.52	1.79
	-10	6.00	1.64	5.87	1.65	5.75	1.67	5.69	1.67	5.62	1.68	5.50	1.69
	-15	4.98	1.57	4.86	1.58	4.74	1.59	4.67	1.61	4.61	1.61	4.49	1.63
18+13+13+10	15	11.08	2.04	10.95	2.05	10.83	2.07	10.77	2.07	10.71	2.08	10.58	2.09
	10	10.06	1.97	9.94	1.98	9.81	1.99	9.75	2.01	9.69	2.01	9.56	2.03
	6	9.25	1.89	9.12	1.91	9.00	1.93	8.94	1.93	8.87	1.94	8.75	1.96
	0	8.03	1.79	7.91	1.81	7.78	1.83	7.72	1.84	7.66	1.85	7.54	1.87
	-5	7.02	1.71	6.89	1.73	6.77	1.75	6.71	1.76	6.64	1.77	6.52	1.79
	-10	6.00	1.64	5.87	1.65	5.75	1.67	5.69	1.67	5.62	1.68	5.50	1.69
	-15	4.98	1.57	4.86	1.58	4.74	1.59	4.67	1.61	4.61	1.61	4.49	1.63
13+13+13+13	15	11.08	2.04	10.95	2.05	10.83	2.07	10.77	2.07	10.71	2.08	10.58	2.09
	10	10.06	1.97	9.94	1.98	9.81	1.99	9.75	2.01	9.69	2.01	9.56	2.03
	6	9.25	1.89	9.12	1.91	9.00	1.93	8.94	1.93	8.87	1.94	8.75	1.96
	0	8.03	1.79	7.91	1.81	7.78	1.83	7.72	1.84	7.66	1.85	7.54	1.87
	-5	7.02	1.71	6.89	1.73	6.77	1.75	6.71	1.76	6.64	1.77	6.52	1.79
	-10	6.00	1.64	5.87	1.65	5.75	1.67	5.69	1.67	5.62	1.68	5.50	1.69
	-15	4.98	1.57	4.86	1.58	4.74	1.59	4.67	1.61	4.61	1.61	4.49	1.63

TC : Total capacity[kW]

PI : Power input [kW]

**TOSHIBA CARRIER (THAILAND) CO.,LTD.**

144/9 Moo 5, Bangkadi Industrial Park, Tivanon Road, Tambol Bangkadi,  
Amphur Muang, Pathumthani 12000, Thailand

Copyright © 2015 TOSHIBA CARRIER (THAILAND), All Rights Reserved

Notice : Toshiba is committed to continuously improving its products to ensure the highest quality and reliability standard, and to meet local regulations and market requirements. All features and specifications are subject to change without prior notice.

---