

### *Residential Inverter R32 Heat Pump New SEIYA Series*

#### **Indoor Units**

**RAS-B05E2KVG-E**

**RAS-B07E2KVG-E**

**RAS-B10E2KVG-E**

**RAS-B13E2KVG-E**

**RAS-B16E2KVG-E**

**RAS-18E2KVG-E**

**RAS-24E2KVG-E**

#### **Outdoor Units**

**RAS-05E2AVG-E**

**RAS-07E2AVG-E**

**RAS-10E2AVG-E**

**RAS-13E2AVG-E**

**RAS-16E2AVG-E**

**RAS-18E2AVG-E**

**RAS-24E2AVG-E**

# Contents





---

1 Line up. . . . .	2
2 Specifications . . . . .	3
3 Dimension . . . . .	7
4 Wiring diagram . . . . .	11
5 Refrigerant cycle diagram . . . . .	15
6 Air speed distribution . . . . .	20
7 Sound characteristics (NC Curve) . . . . .	27
8 Capacity table . . . . .	34
9 Part load performance . . . . .	41
10 Performance characteristic . . . . .	48

### 1. Line up

Outdoor Unit	Indoor Unit	Model Name		Capacity Rank
		CDU	FCU	
		RAS-05E2AVG-E	RAS-B05E2KVG-E	5k
		RAS-07E2AVG-E	RAS-B07E2KVG-E	7k
		RAS-10E2AVG-E	RAS-B10E2KVG-E	10k
		RAS-13E2AVG-E	RAS-B13E2KVG-E	13k
		RAS-16E2AVG-E	RAS-B16E2KVG-E	16k
		RAS-18E2AVG-E	RAS-18E2KVG-E	18k
		RAS-24E2AVG-E	RAS-24E2KVG-E	24k

### Accessories

Appearance	Model Name	Remark
	WH-TG01NE	Standard remote controller
 	RB-RXS33-E RB-RXS34-E	Option weekly remote controller Option black remote controller
	RB-N105S-G without cable RB-N106S-G with cable for outside unit installation	Accessory wireless adapter Application : Toshiba Home AC Control

## 2. Specifications

System	Size		5k	7k	10k	13k	16k	18k	24k	
		<b>Indoor</b>	RAS-B05E2KVG-E	RAS-B07E2KVG-E	RAS-B10E2KVG-E	RAS-B13E2KVG-E	RAS-B16E2KVG-E	RAS-18E2KVG-E	RAS-24E2KVG-E	
		<b>Outdoor</b>	RAS-05E2AVG-E	RAS-07E2AVG-E	RAS-10E2AVG-E	RAS-13E2AVG-E	RAS-16E2AVG-E	RAS-18E2AVG-E	RAS-24E2AVG-E	
<b>Power supply</b>		(V/Ph/Hz)	220 - 240 / 1 / 50							
<b>Cooling</b>	Capacity	(kW)	1.5 (0.75 - 2.00)	2.0 (0.76 - 2.60)	2.5 (0.80 - 3.00)	3.3 (1.20 - 3.60)	4.2 (1.40 - 4.70)	5.0 (1.45 - 5.5)	6.5 (1.7 - 7.2)	
	Power Consumption	(kW)	0.36 (0.20 - 0.57)	0.53 (0.20 - 0.83)	0.70 (0.20 - 1.00)	1.10 (0.25 - 1.25)	1.27 (0.34 - 1.60)	1.50 (0.34 - 1.80)	2.25 (0.41 - 2.60)	
	EER		4.17	3.77	3.57	3.00	3.31	3.33	2.89	
	PdesignC	(kW)	1.50	2.00	2.50	3.30	4.20	5.00	6.50	
	SEER		6.90	6.90	7.00	7.00	7.00	7.00	6.90	
	Indoor Noise (H/Quiet)	(dB)	37/19	38/19	39/19	41/20	43/21	47/26	48/29	
	Outdoor Noise	(dB)	47	47	47	48	50	50	54	
	Indoor Air Flow	m <sup>3</sup> /h	480	500	510	540	750	790	1070	
<b>Heating</b>	Capacity	(kW)	2.0 (0.80 - 3.00)	2.5 (0.82 - 3.30)	3.2 (0.95 - 3.90)	3.6 (0.97 - 4.50)	5.0 (1.30 - 6.00)	5.4 (1.35 - 6.0)	7.0 (1.5 - 8.1)	
	Power Consumption	(kW)	0.47 (0.16 - 0.85)	0.64 (0.16 - 0.94)	0.86 (0.18 - 1.11)	0.92 (0.18 - 1.25)	1.34 (0.24 - 1.70)	1.50 (0.26 - 1.80)	2.10 (0.29 - 2.55)	
	COP		4.26	3.91	3.72	3.91	3.73	3.60	3.33	
	PdesignH (Tbiv -7°C)	(kW)	1.60	2.00	2.40	2.70	3.60	3.80	5.40	
	SCOP		4.60	4.60	4.60	4.60	4.60	4.40	4.30	
	Indoor Noise (H/Quiet)	(dB)	37/19	38/19	39/20	42/20	43/22	48/26	48/29	
	Outdoor Noise	(dB)	48	49	49	49	51	51	54	
	Indoor Air Flow	m <sup>3</sup> /h	480	500	510	560	760	840	860	
<b>FCU</b>	Dimensions	H x W x D (mm)	288 x 770 x 225				293 x 798 x 230		320 x 1050 x 250	
		Net Weight (kg)	9	9	9	9	9	9	15	
<b>CDU</b>	Dimensions	H x W x D (mm)	530 / 660 / 240				550 / 780 / 290			
		Net Weight (kg)	21	21	22	22	30	34	38	
<b>Pipe</b>	Chargeless	(m)	15							
	Maximum Length	(m)	15				20			
	Maximum Height	(m)	12							
	Refrigerant		R32							
<b>Energy Label</b>	Cooling / Heating	<b>A++ / A++</b>					<b>A++ / A+</b>			
<b>Useble Range Temperature</b>	Cooling (°C)	Indoor: 21 ~ 32 °C , Outdoor: (-15) ~ 46 °C								
	Heating (°C)	Indoor: 0 ~ 28 °C , Outdoor: (-15) ~ 24 °C								

For performance when each indoor unit is combined with other unit, refer to the separate table.

\* The specifications may be subject to change without notice for purpose of improvement.

Cooling : Capacity test condition, inside : 27 °C (Db) / 19 °C (Wb), outside : 35 °C (Db) / 24 °C (Wb)

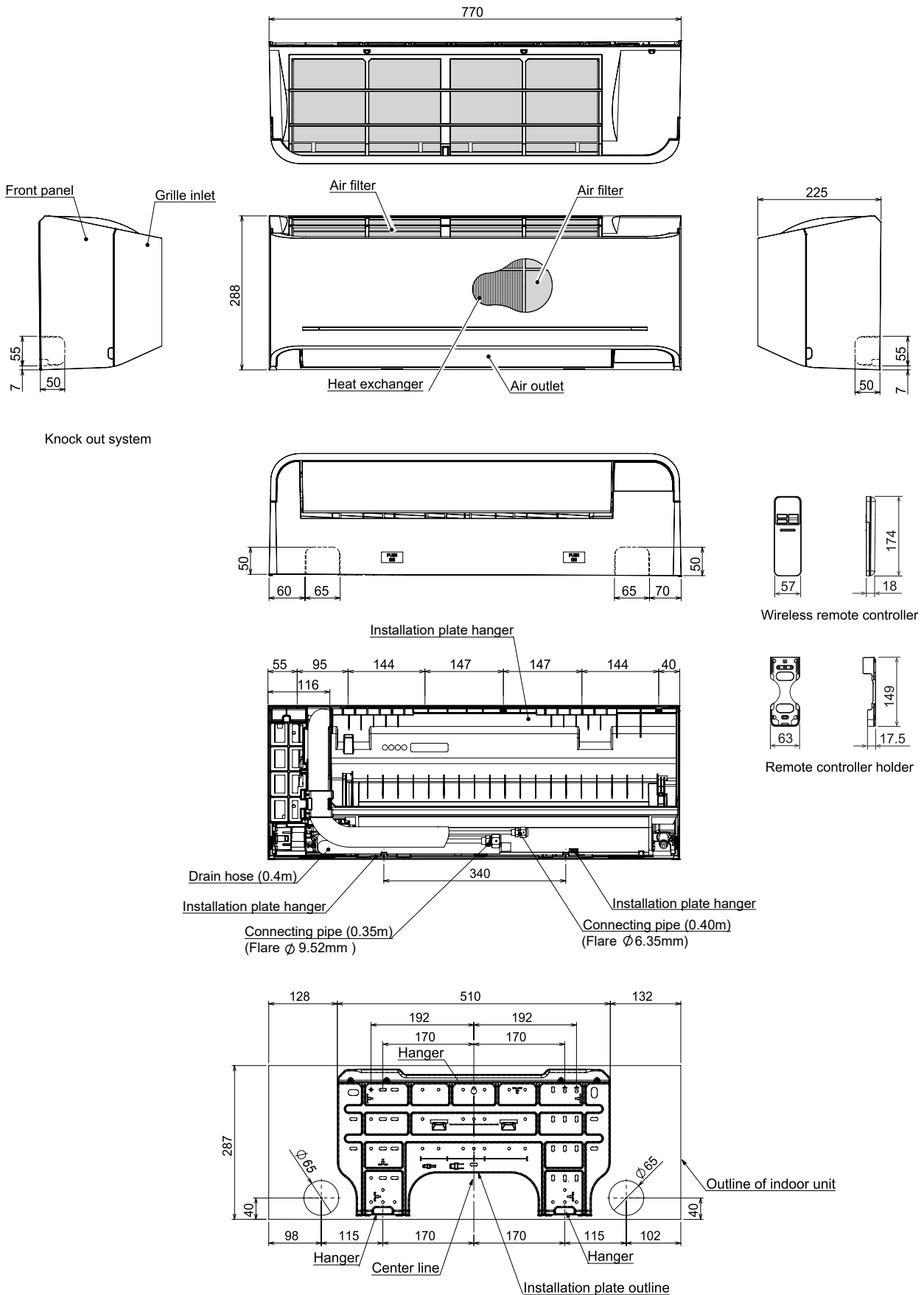
Heating : Capacity test condition, inside : 20 °C (Db), outside : 7 °C (Db) / 6°C (Wb)

Piping length : 5 m per Indoor Unit.

### 3. Dimension

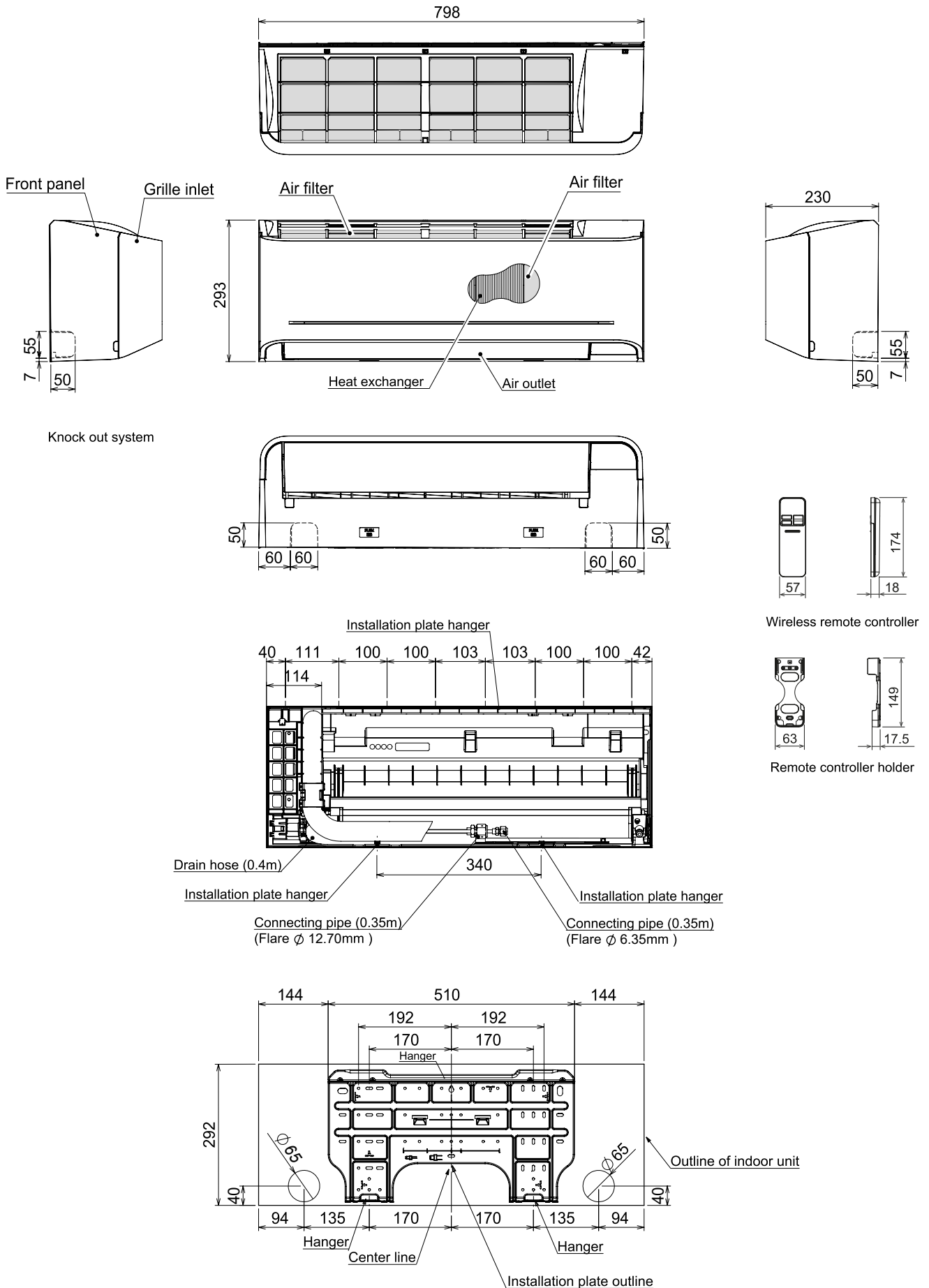
Indoor Unit : RAS-B\*\_\_E2KVG-E (\*05 / 07 / 10 / 13 )

(Unit : mm)



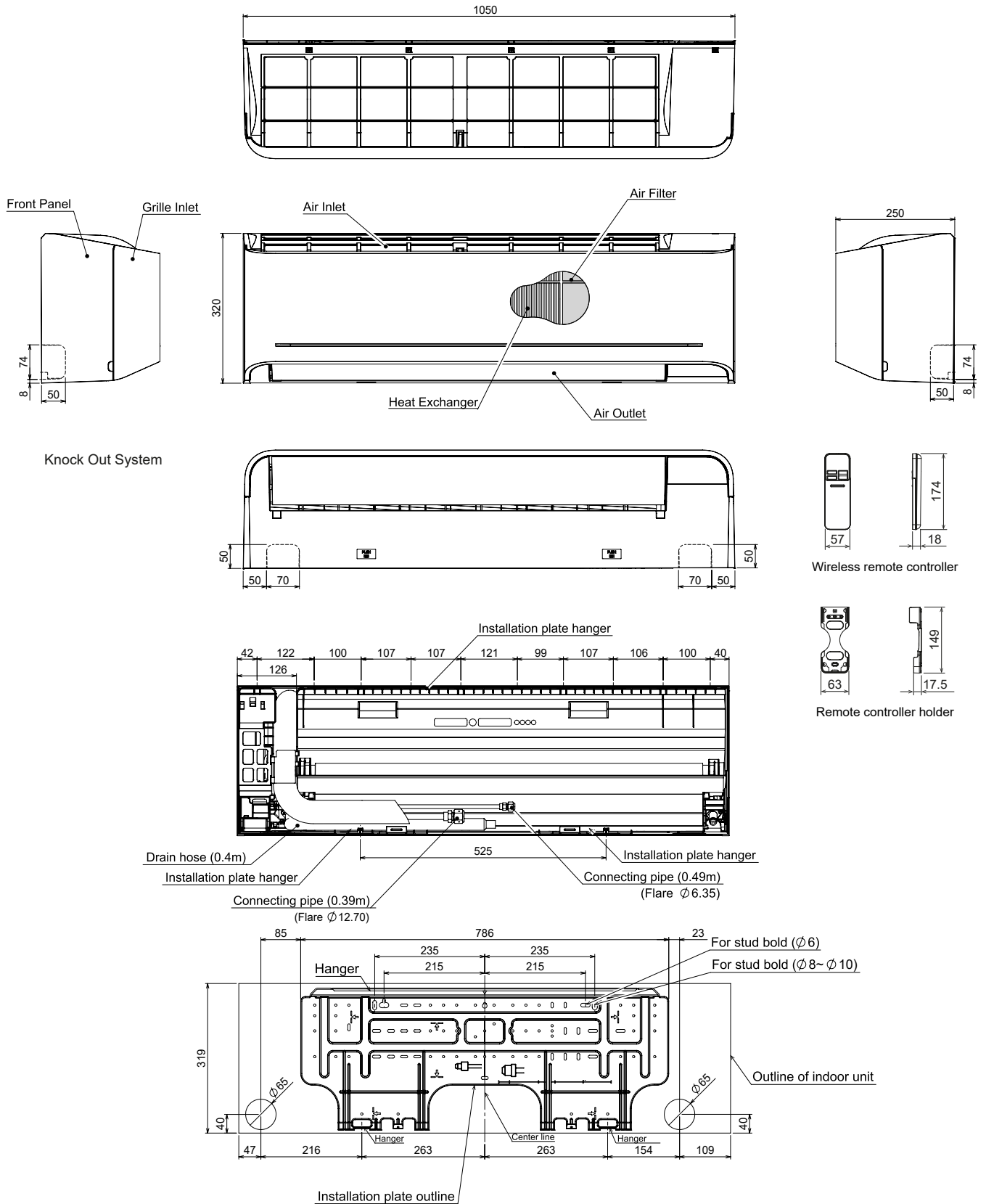
Indoor Unit : RAS-B16E2KVG-E / RAS-18E2KVG-E

(Unit : mm)



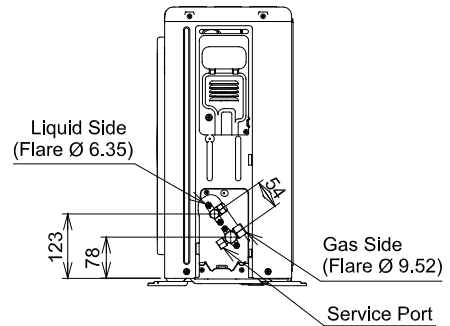
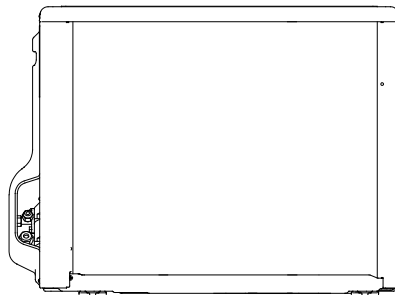
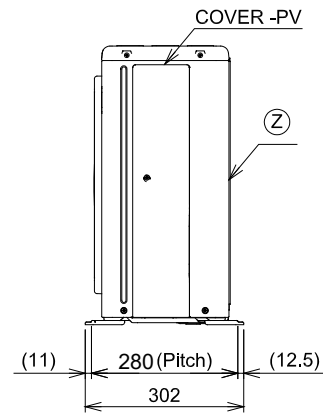
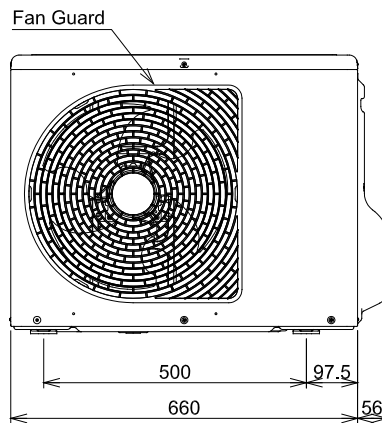
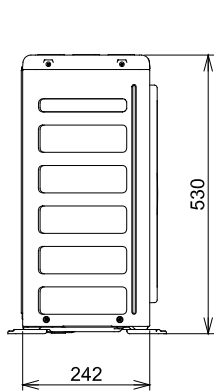
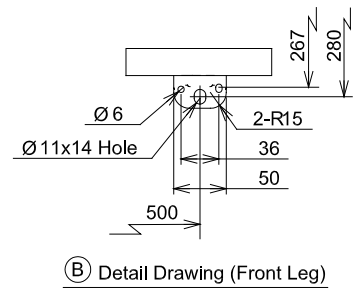
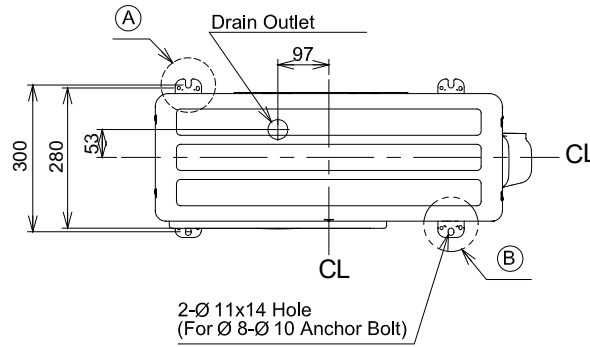
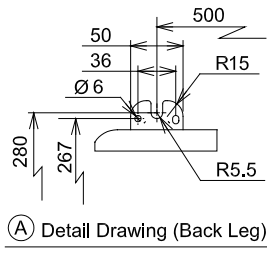
Indoor Unit : RAS-24E2KVG-E

(Unit : mm)

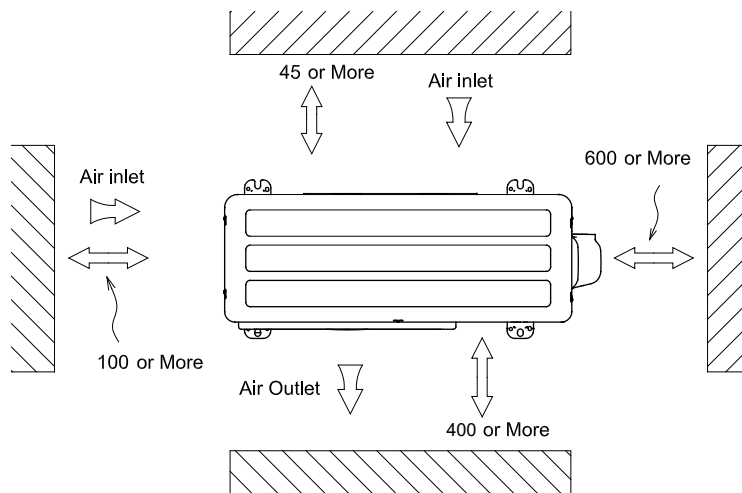


Outdoor Unit : RAS-\*\_\_E2AVG-E (\*05 / 07 / 10 / 13)

(Unit : mm)



Installation Dimension

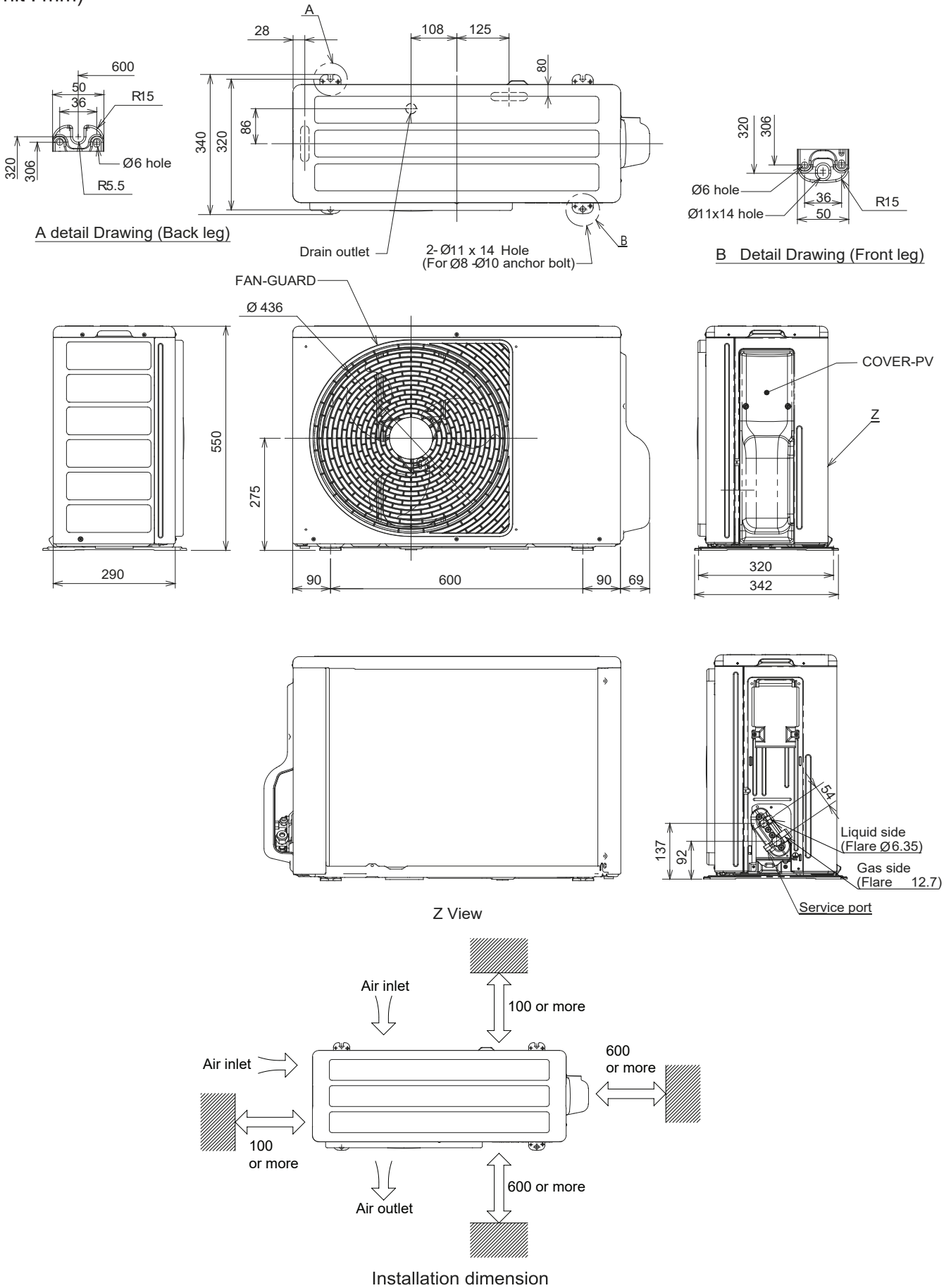


(Z) View



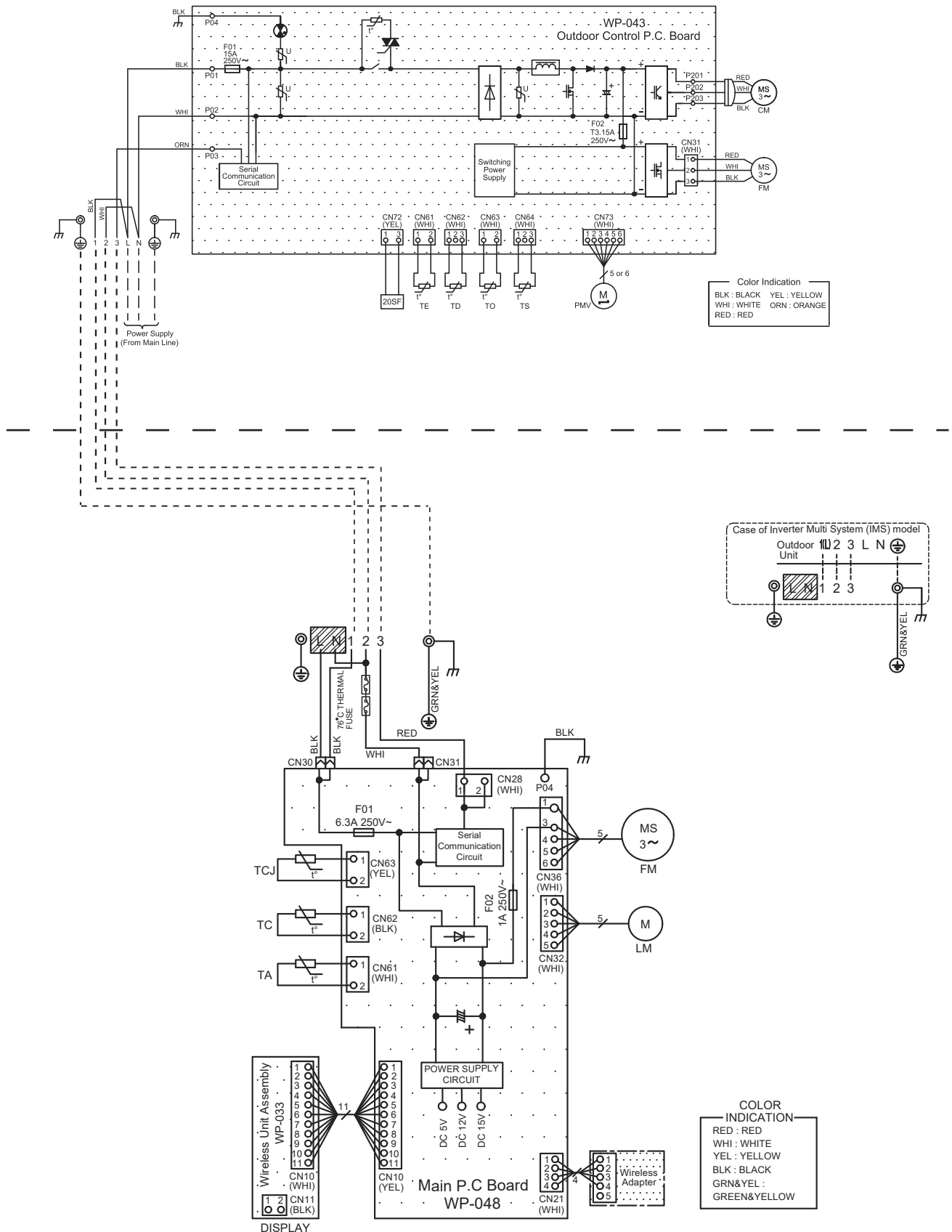
Outdoor Unit : RAS-\*\_E2AVG-E (\*16 / 18 / 24)

(Unit : mm)

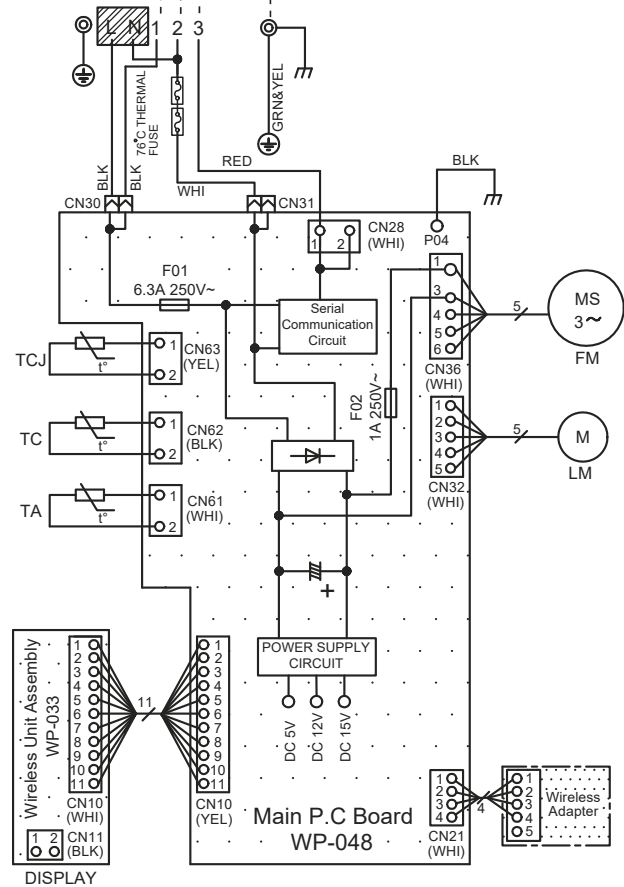
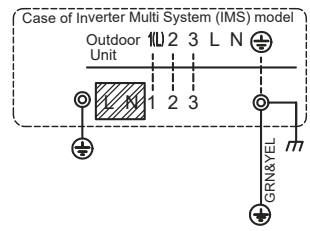
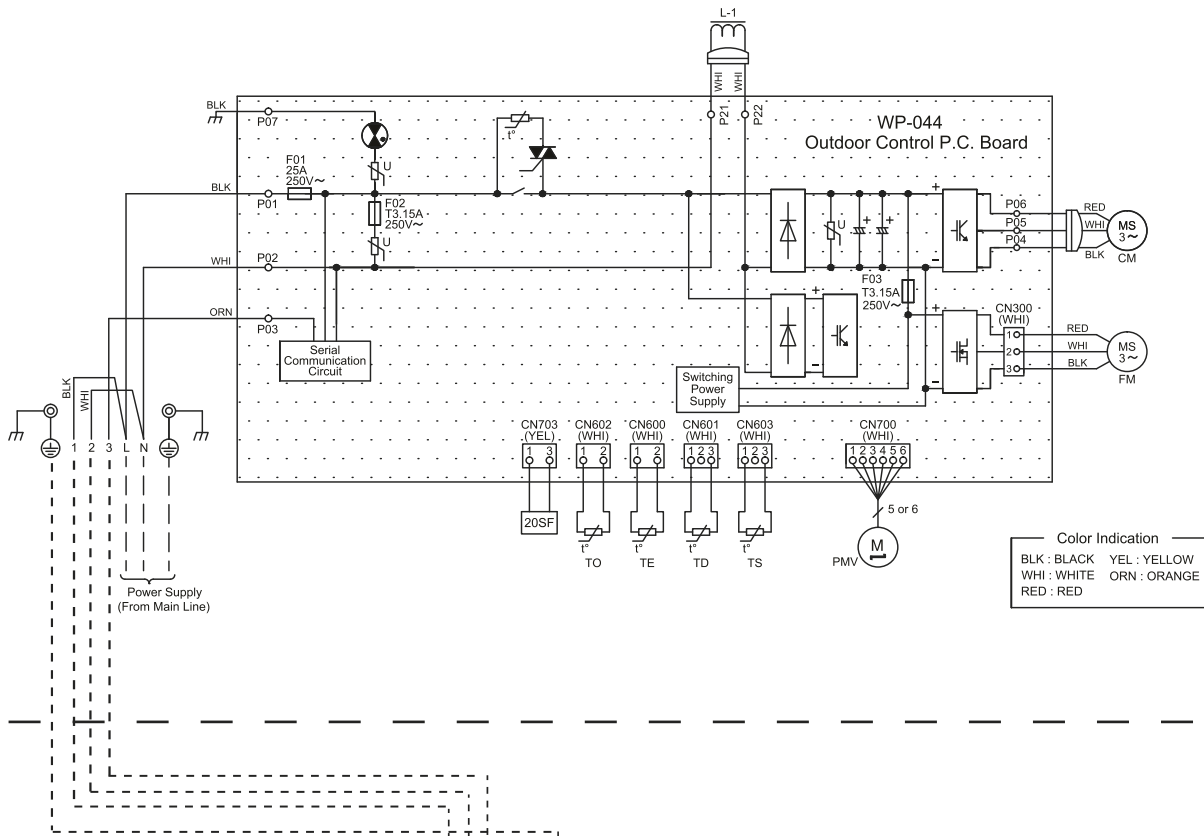


### 4. Wiring diagrams

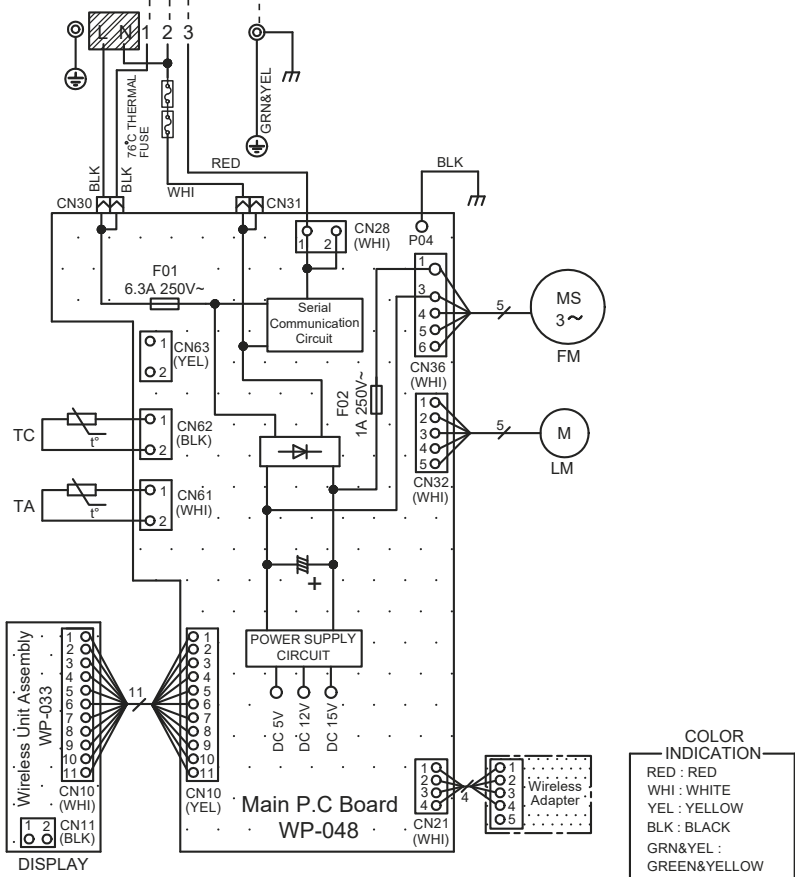
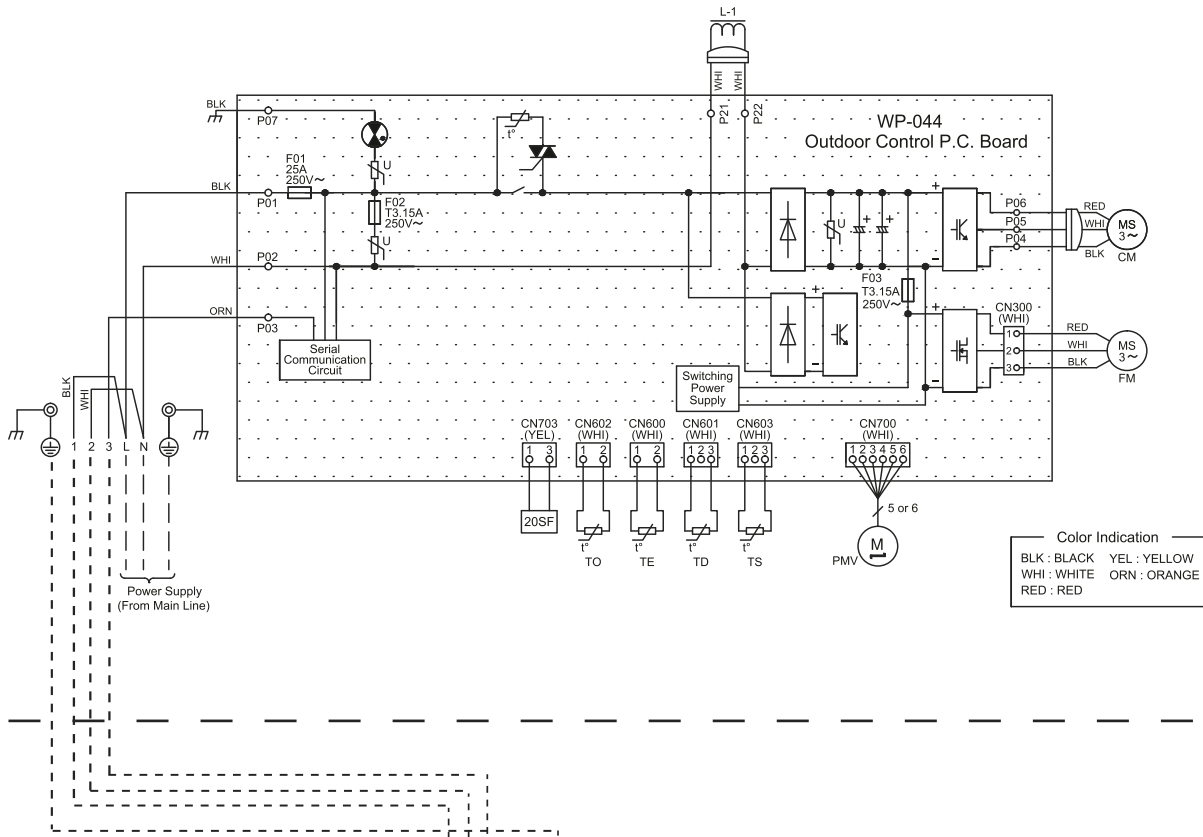
- RAS-B05E2KVG-E ; RAS-05E2AVG-E
- RAS-B07E2KVG-E ; RAS-07E2AVG-E
- RAS-B10E2KVG-E ; RAS-10E2AVG-E
- RAS-B13E2KVG-E ; RAS-13E2AVG-E



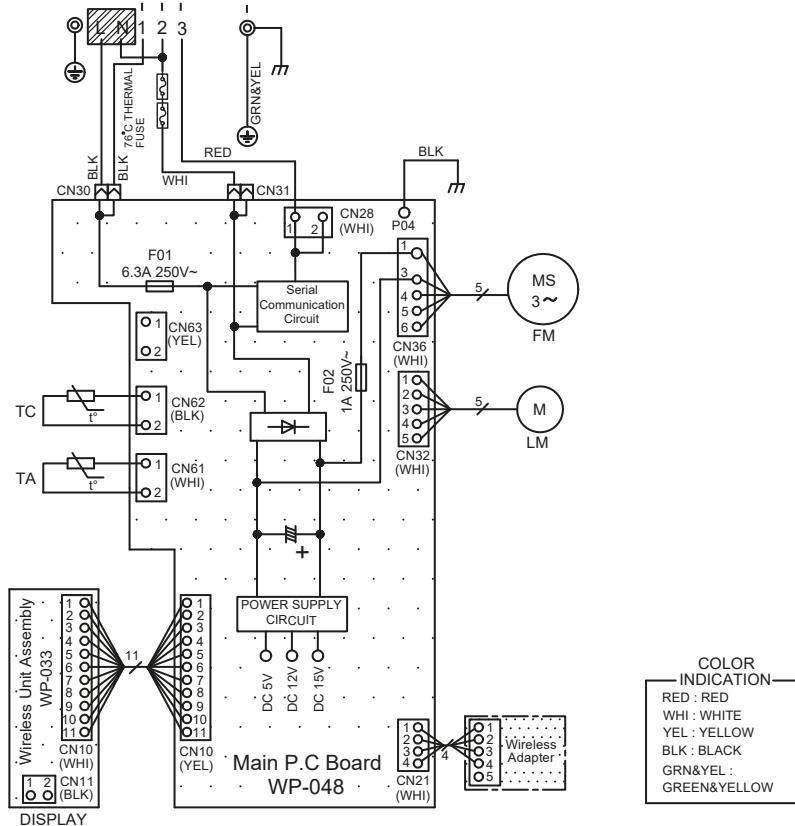
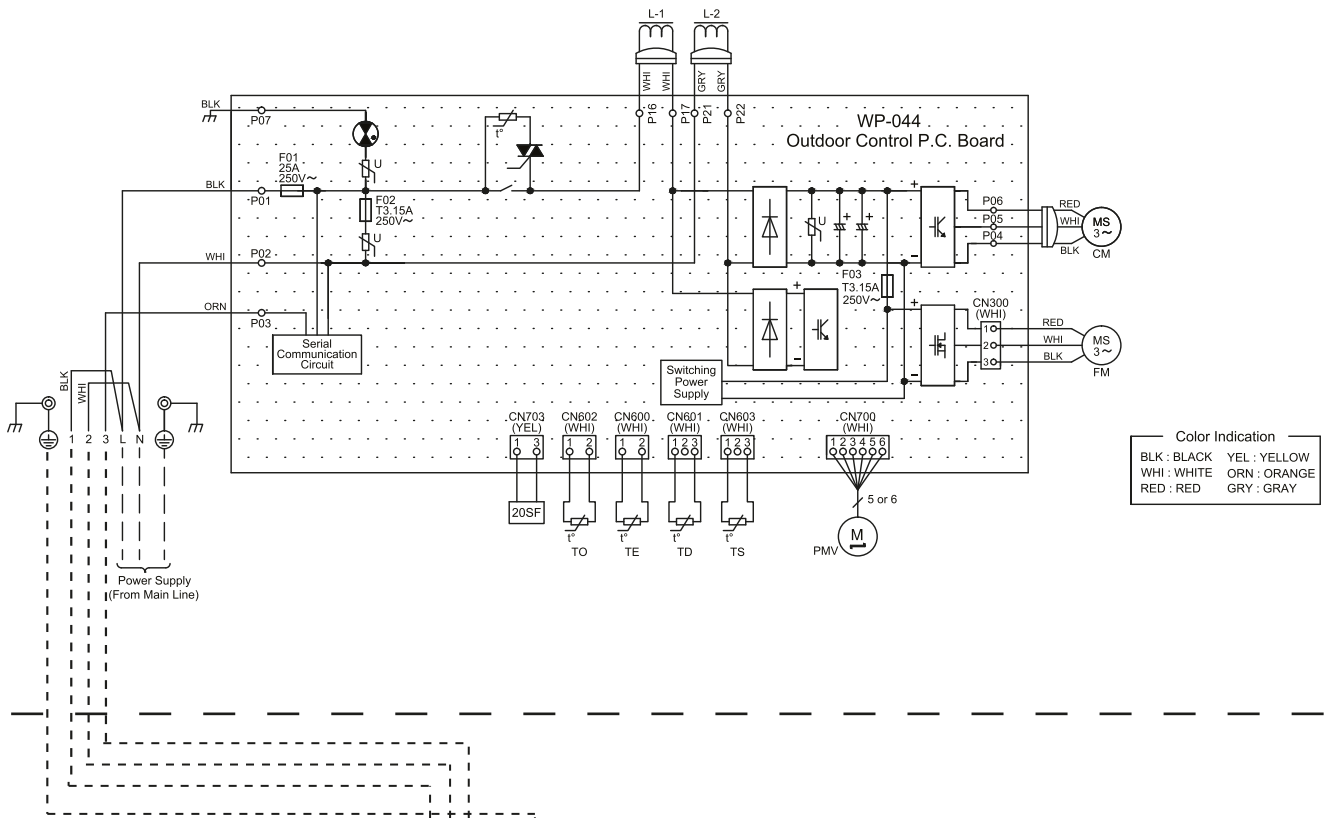
RAS-B16E2KVG-E ; RAS-16E2AVG-E



RAS-18E2KVG-E ; RAS-18E2AVG-E

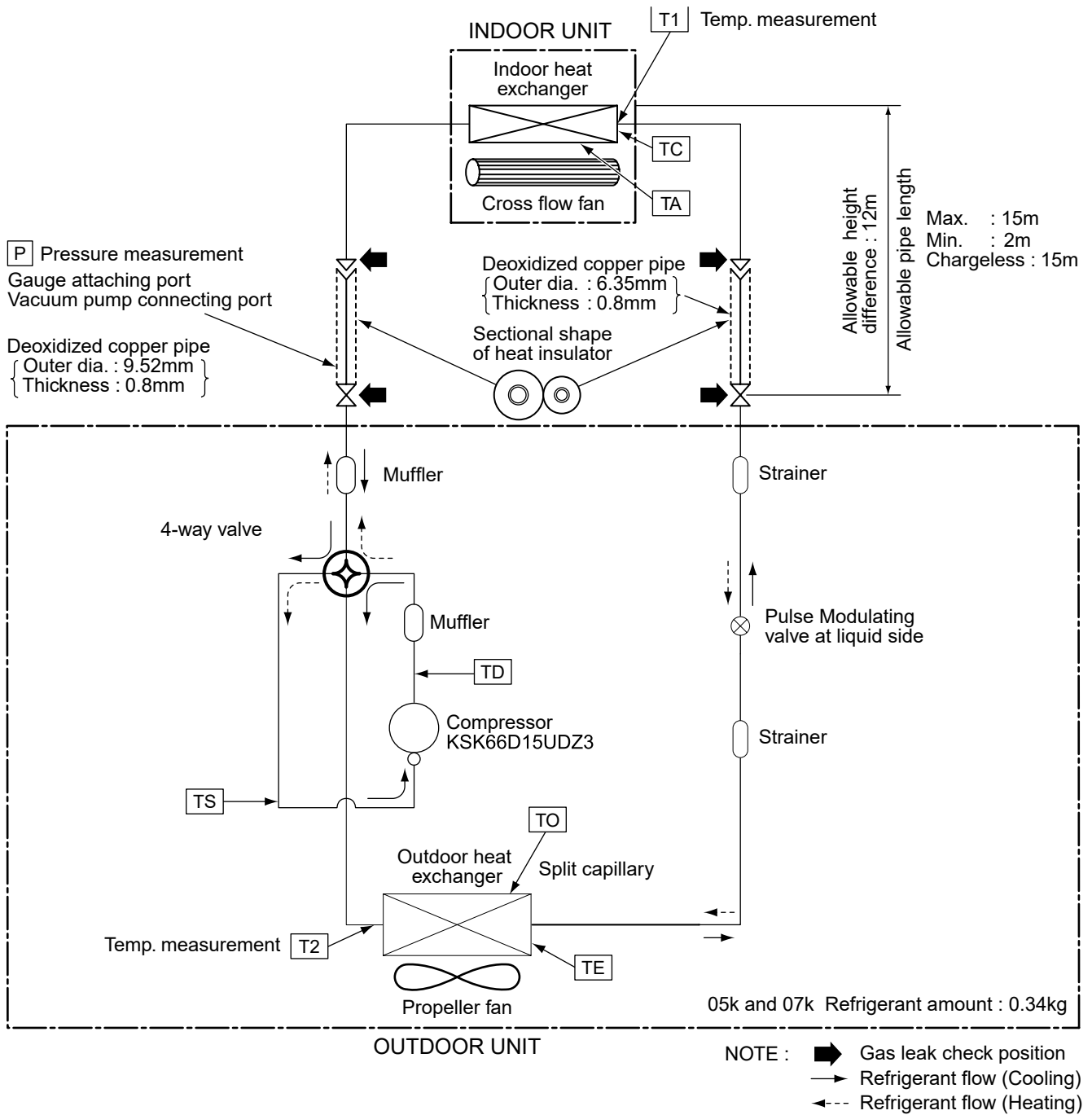


RAS-24E2KVG-E ; RAS-24A2KVG-E



### 5. Refrigerant cycle diagram

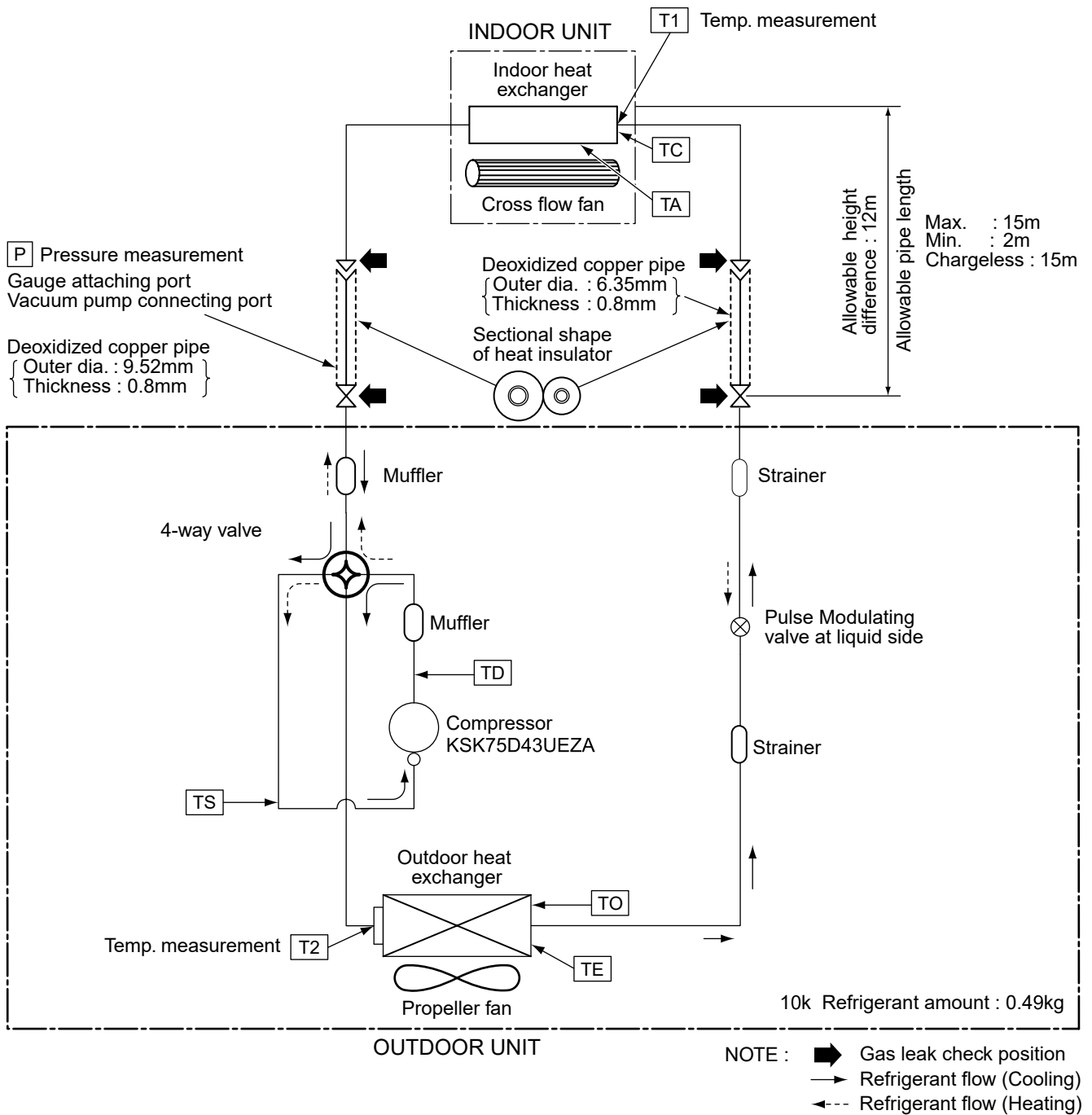
RAS-B05E2KVG-E ; RAS-05E2AVG-E  
 RAS-B07E2KVG-E ; RAS-07E2AVG-E



**NOTE :**

- The maximum pipe length of this air conditioner is 15 m. When the pipe length exceeds 15m, the additional charging of refrigerant, 20g per 1m for the part of pipe exceeded 15m is required. (Max. 100g)

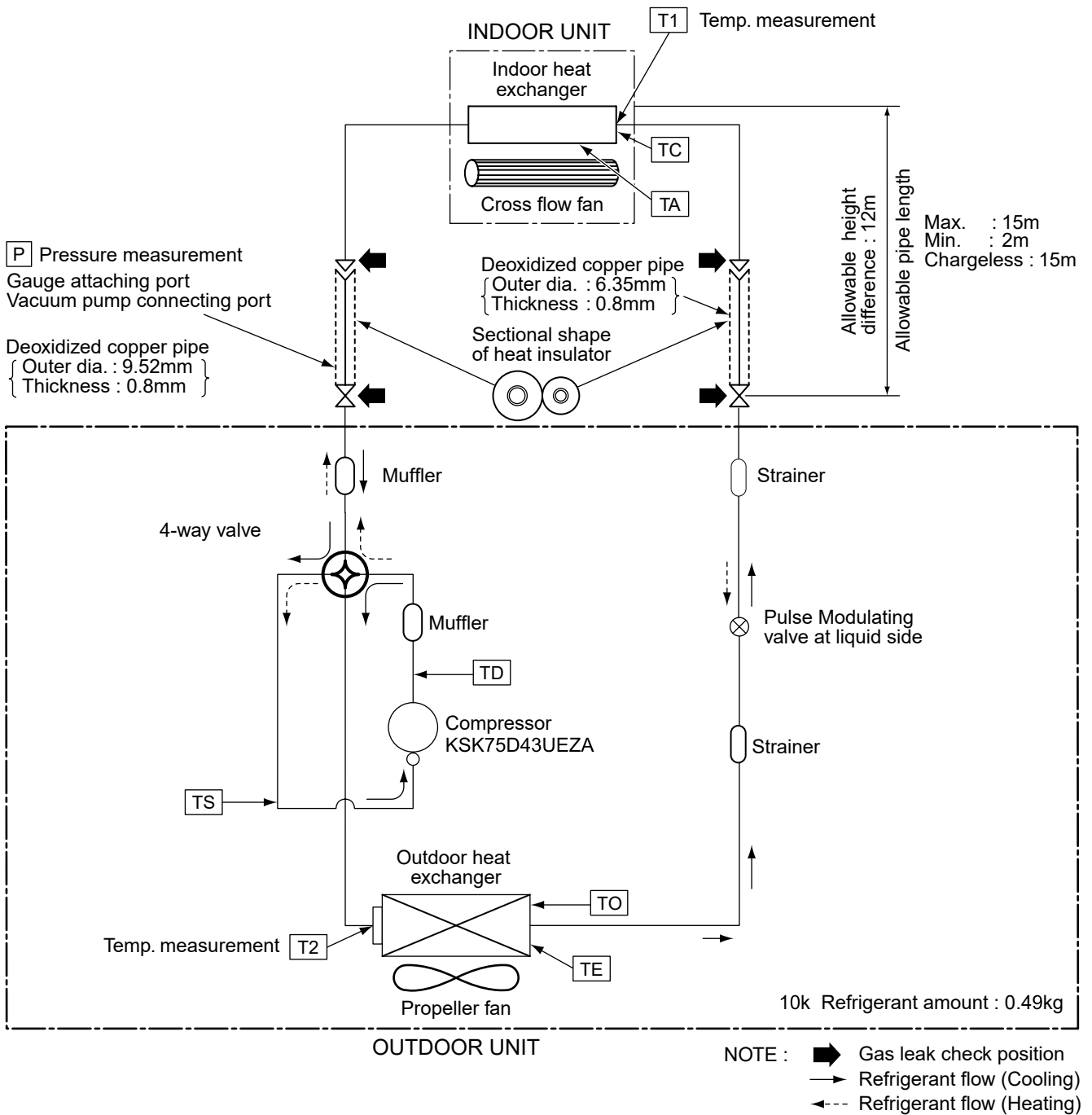
RAS-B10E2KVG-E ; RAS-10E2AVG-E



NOTE :

- The maximum pipe length of this air conditioner is 15 m. When the pipe length exceeds 15m, the additional charging of refrigerant, 20g per 1m for the part of pipe exceeded 15m is required. (Max. 100g)

RAS-B13E2KVG-E ; RAS-13E2AVG-E

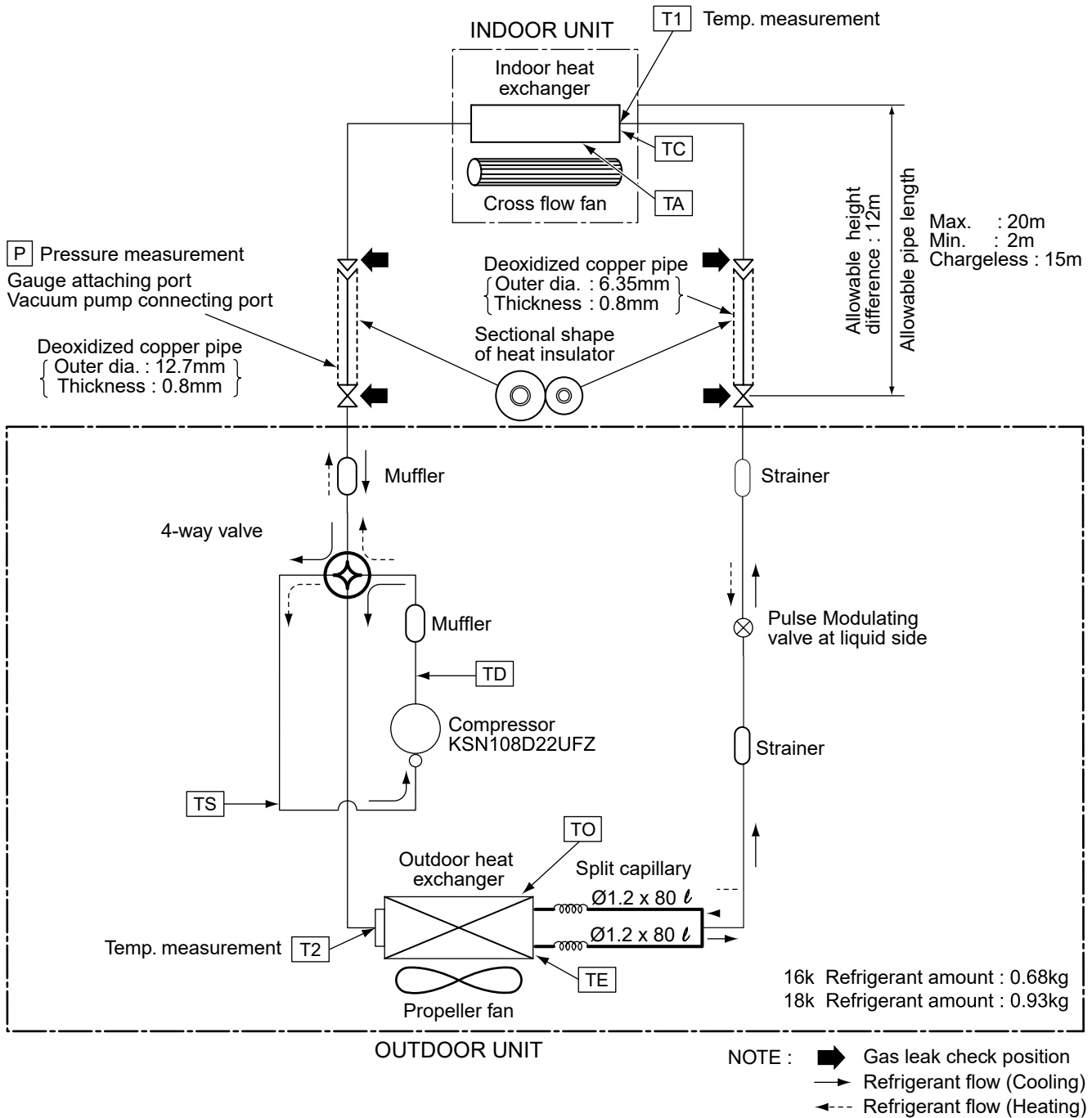


NOTE :

- The maximum pipe length of this air conditioner is 15 m. When the pipe length exceeds 15m, the additional charging of refrigerant, 20g per 1m for the part of pipe exceeded 15m is required. (Max. 100g)



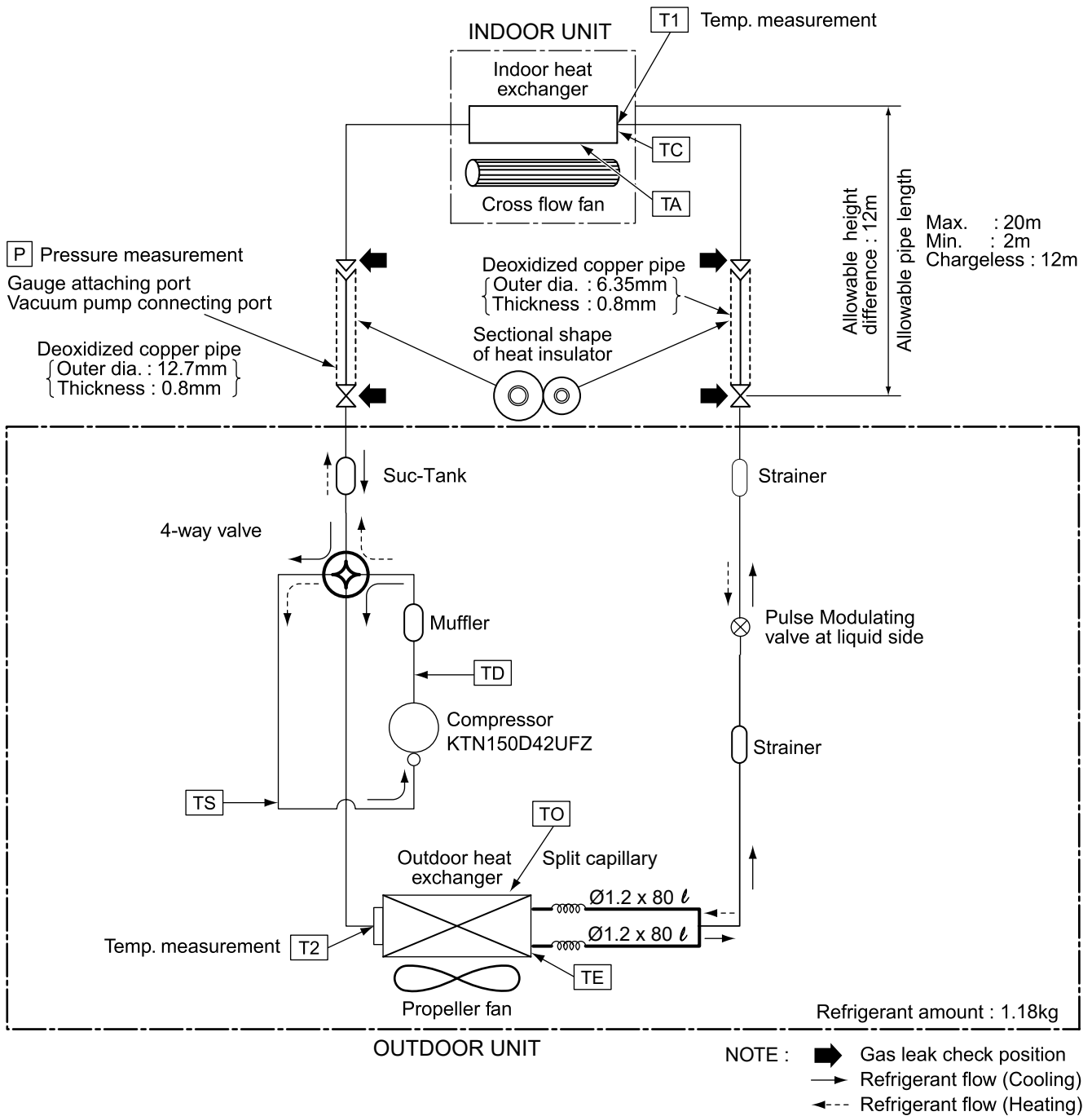
RAS-B16E2KVG-E ; RAS-16E2AVG-E  
 RAS-18E2KVG-E ; RAS-18E2AVG-E



NOTE :

- The maximum pipe length of this air conditioner is 20 m. When the pipe length exceeds 15m, the additional charging of refrigerant, 20g per 1m for the part of pipe exceeded 15m is required. (Max. 100g)

RAS-24E2KVG-E ; RAS-24E2AVG-E



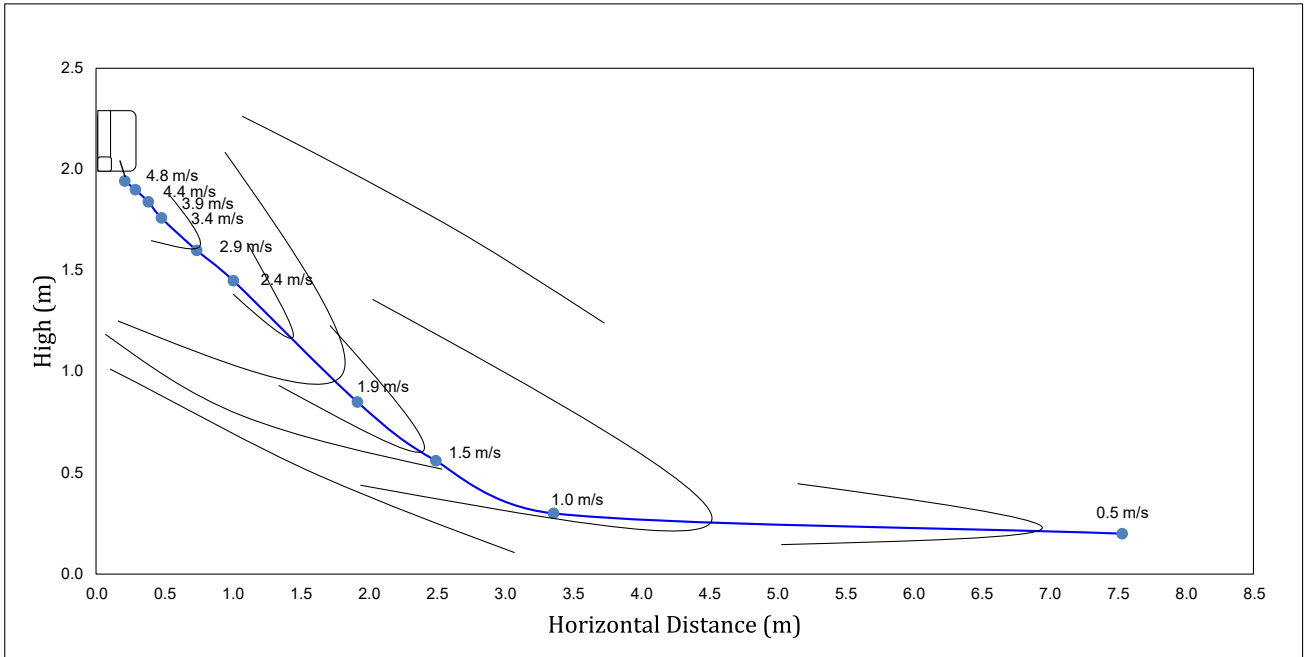
NOTE :

- The maximum pipe length of this air conditioner is 20 m. When the pipe length exceeds 15m, the additional charging of refrigerant, 20g per 1m for the part of pipe exceeded 15m is required. (Max. 100g)

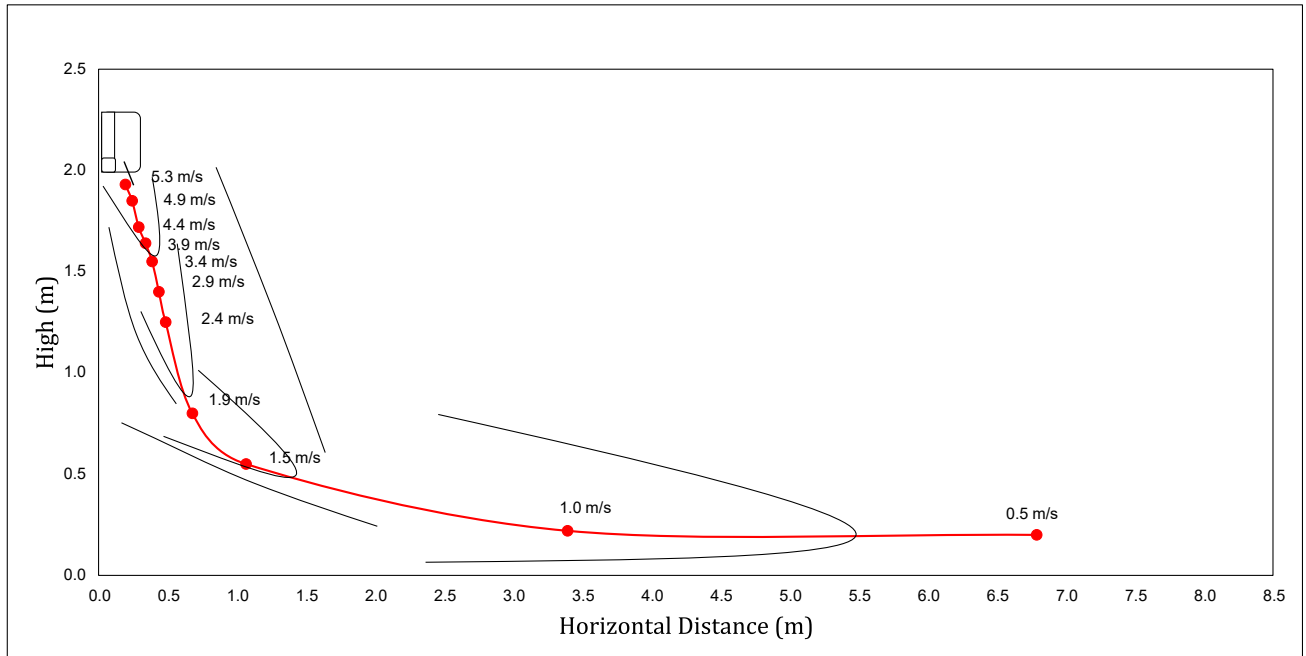
## 6. Air Speed Distribution

RAS-B05E2KVG-E

Cooling

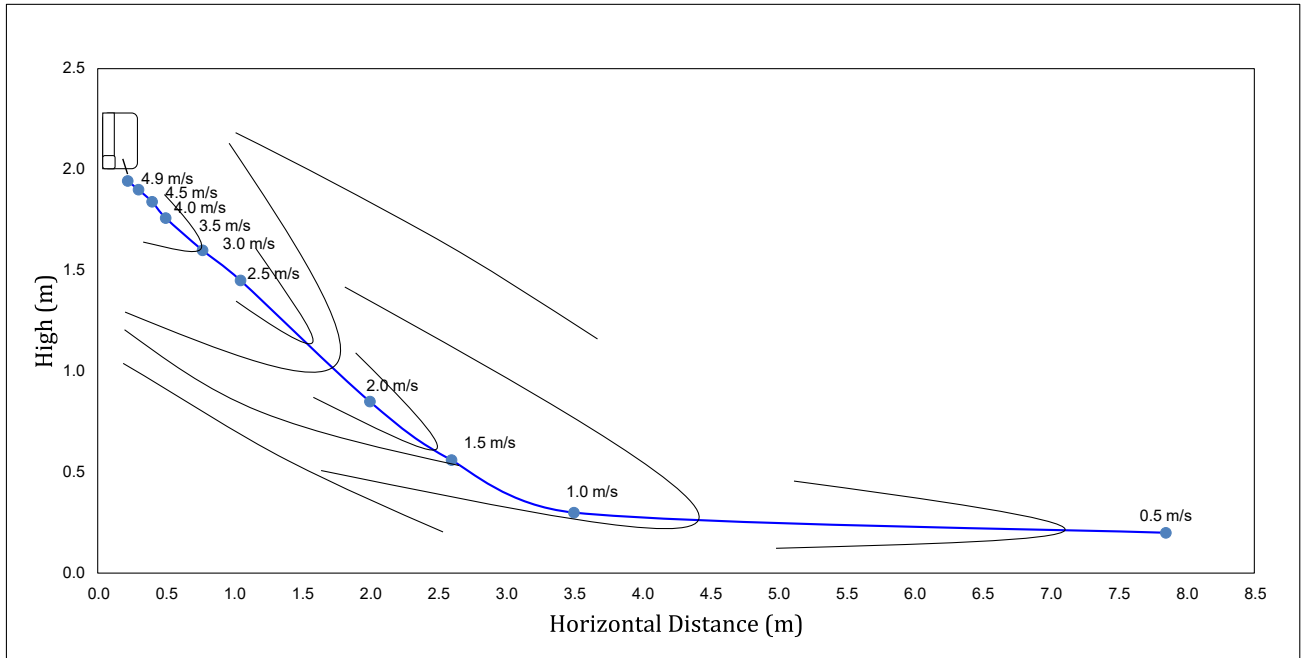


Heating

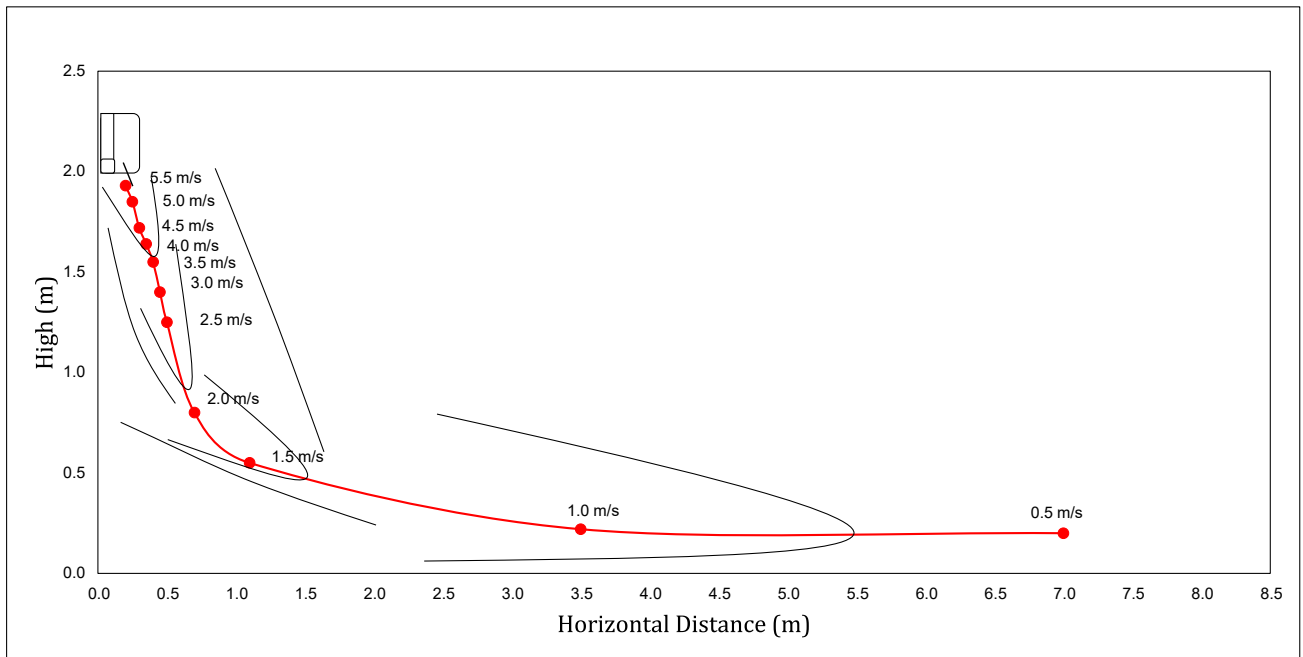


RAS-B07E2KVG-E

Cooling

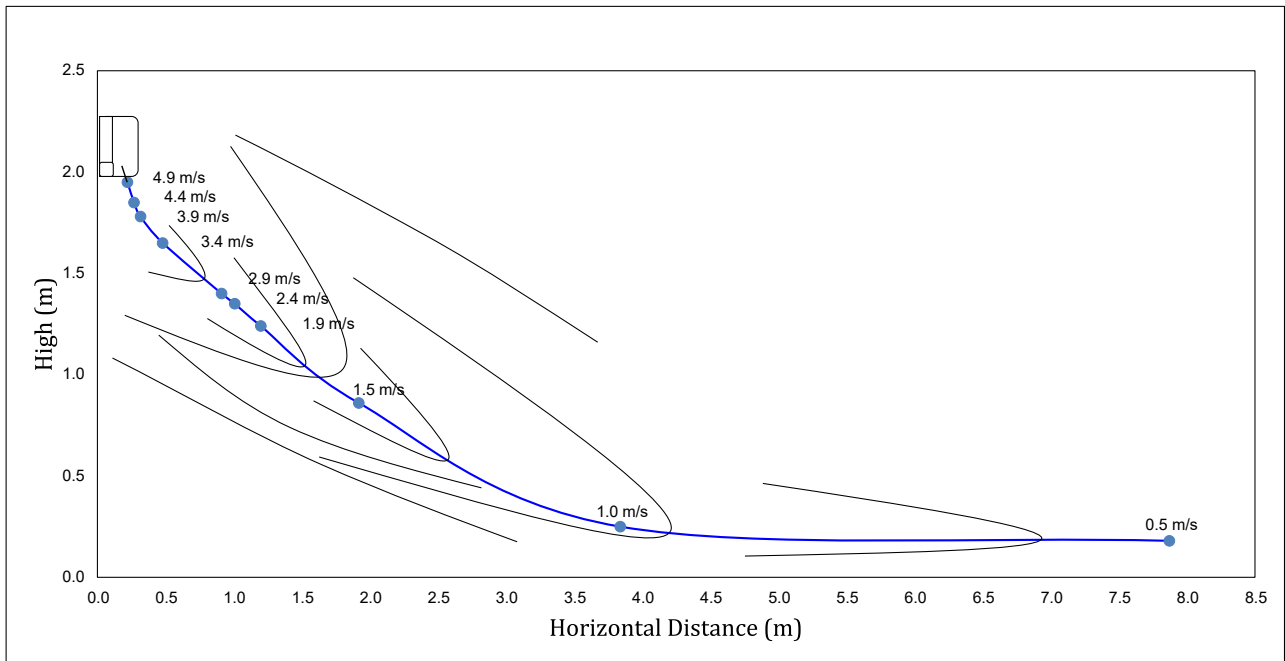


Heating

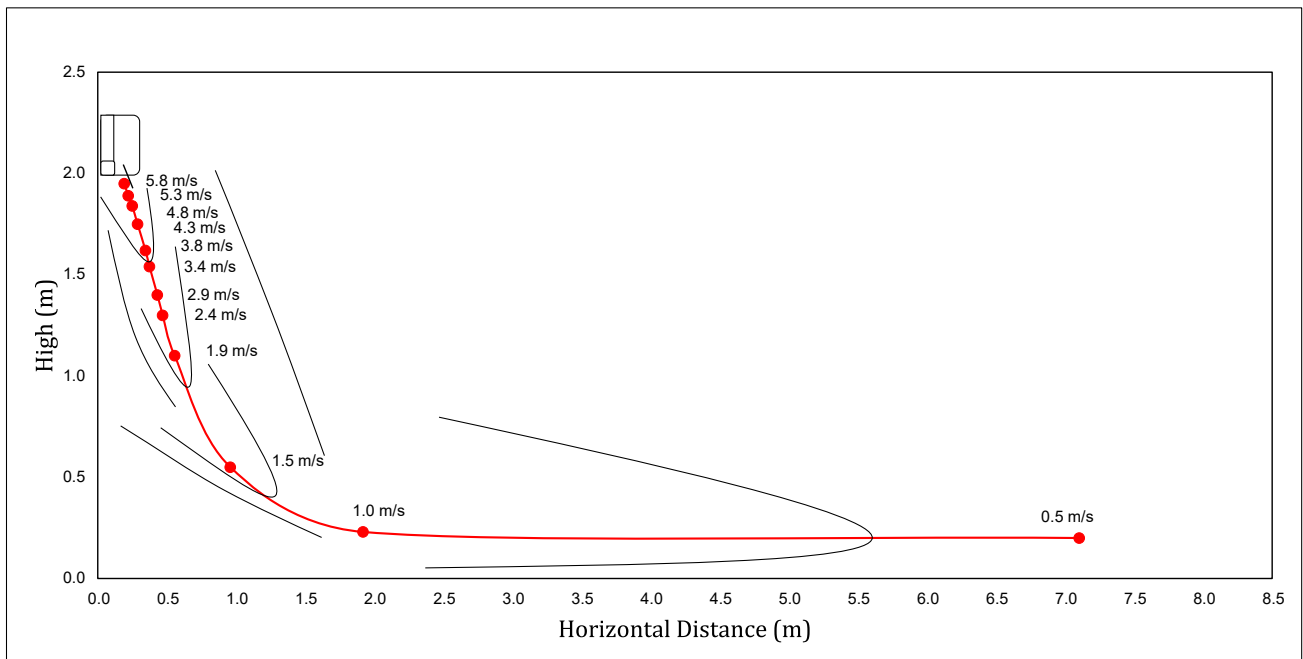


RAS-B10E2KVG-E

Cooling

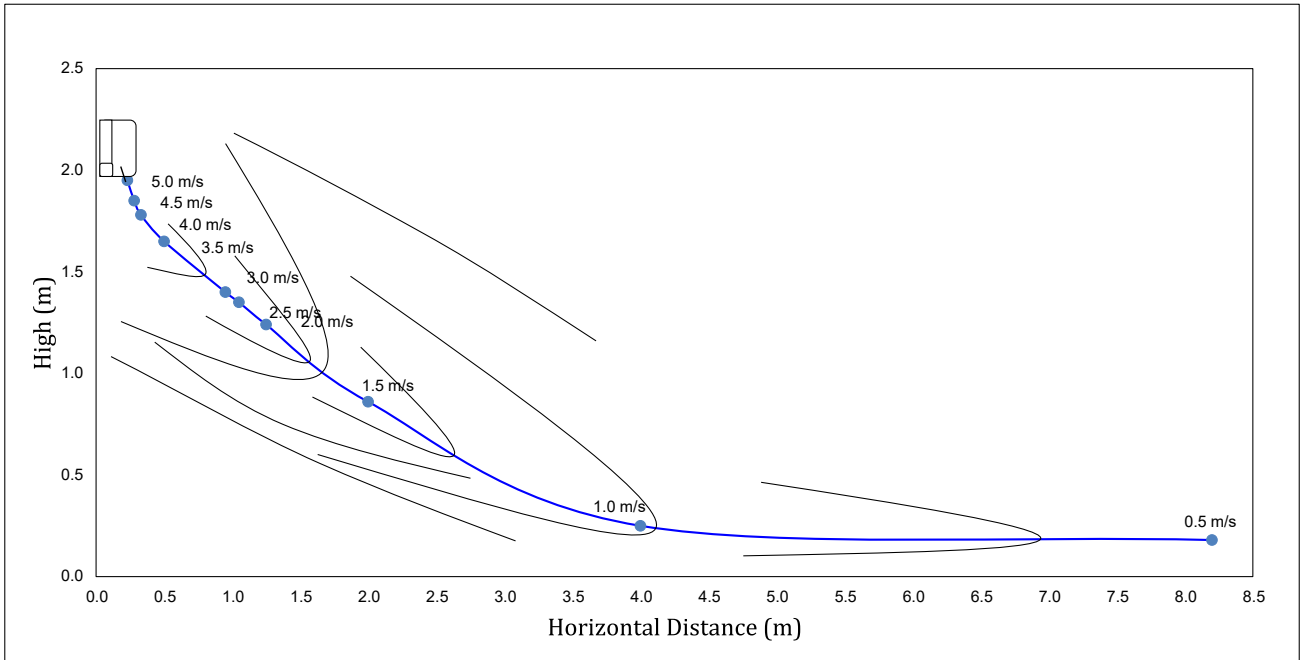


Heating

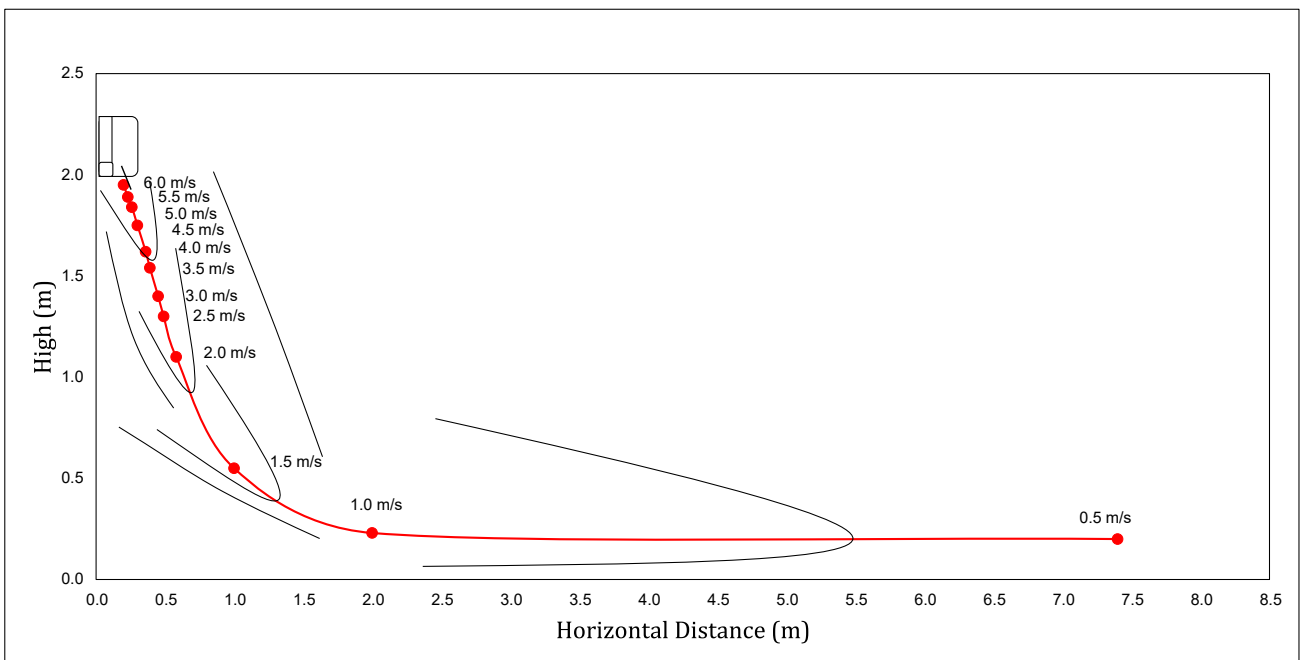


RAS-B13E2KVG-E

Cooling

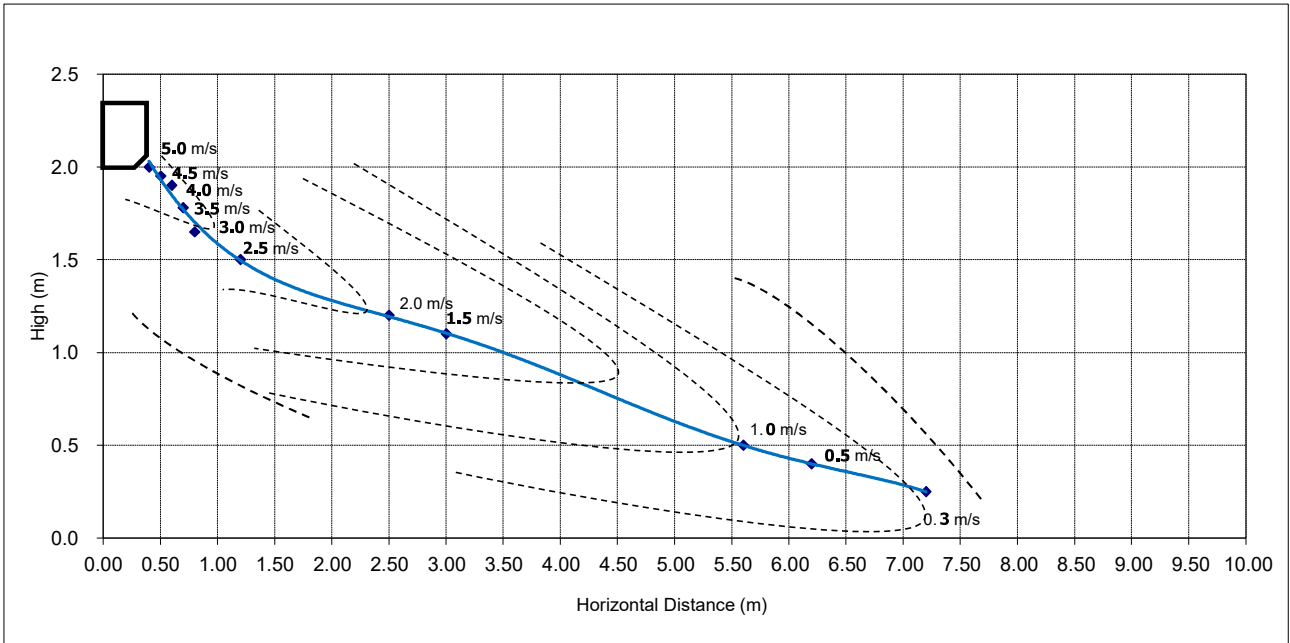


Heating

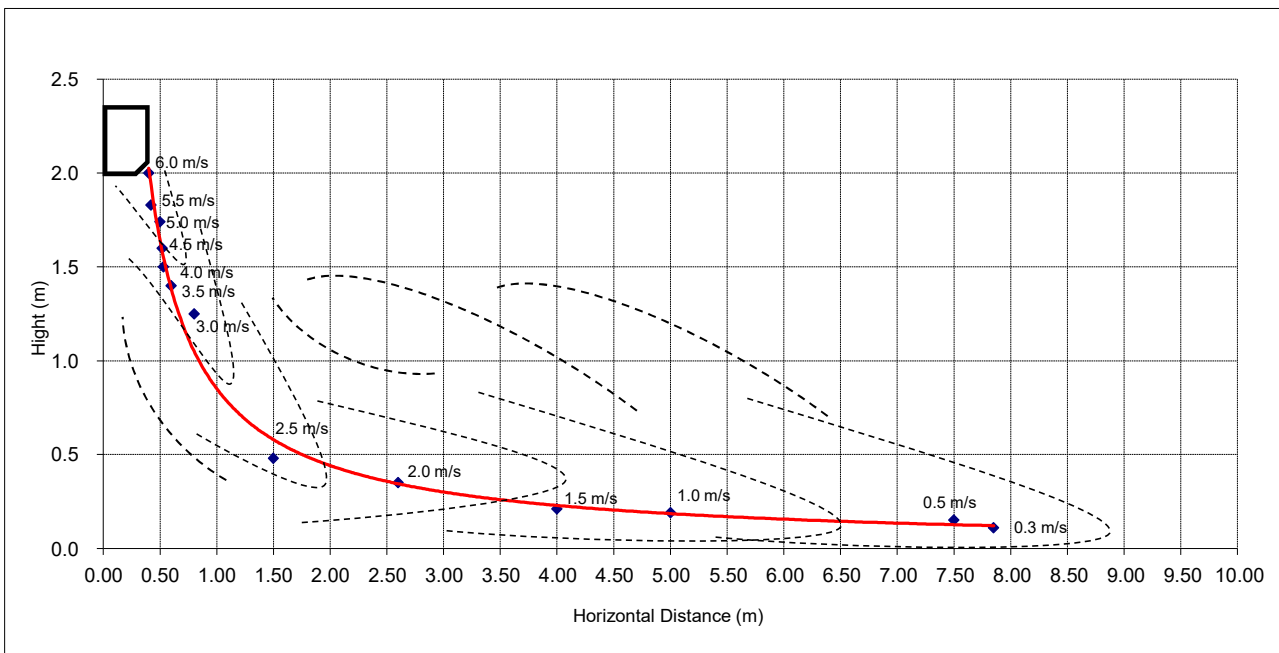


RAS-B16E2KVG-E

Cooling

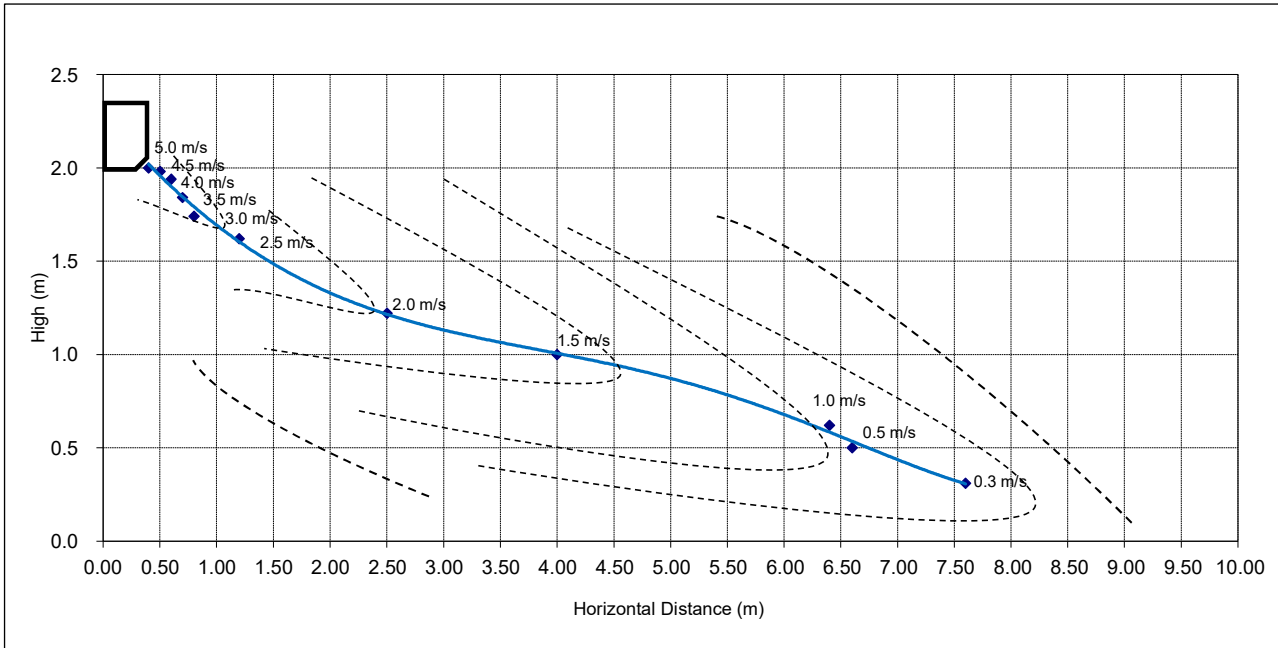


Heating

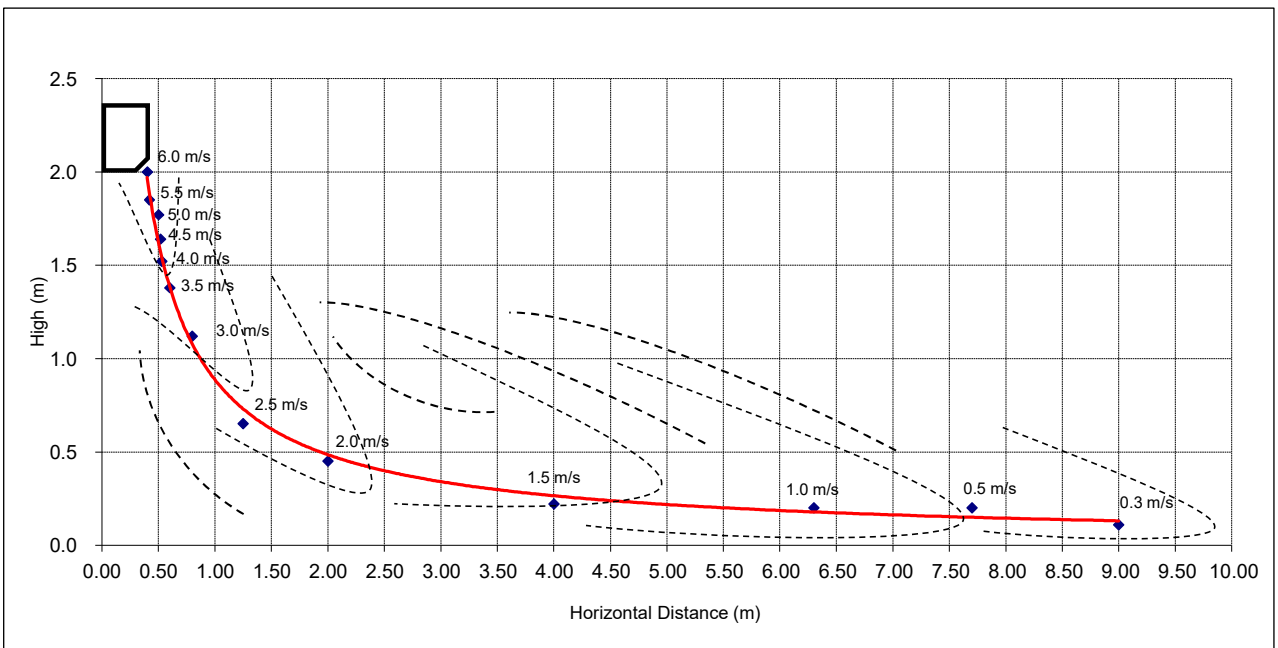


RAS-18E2KVG-E

Cooling



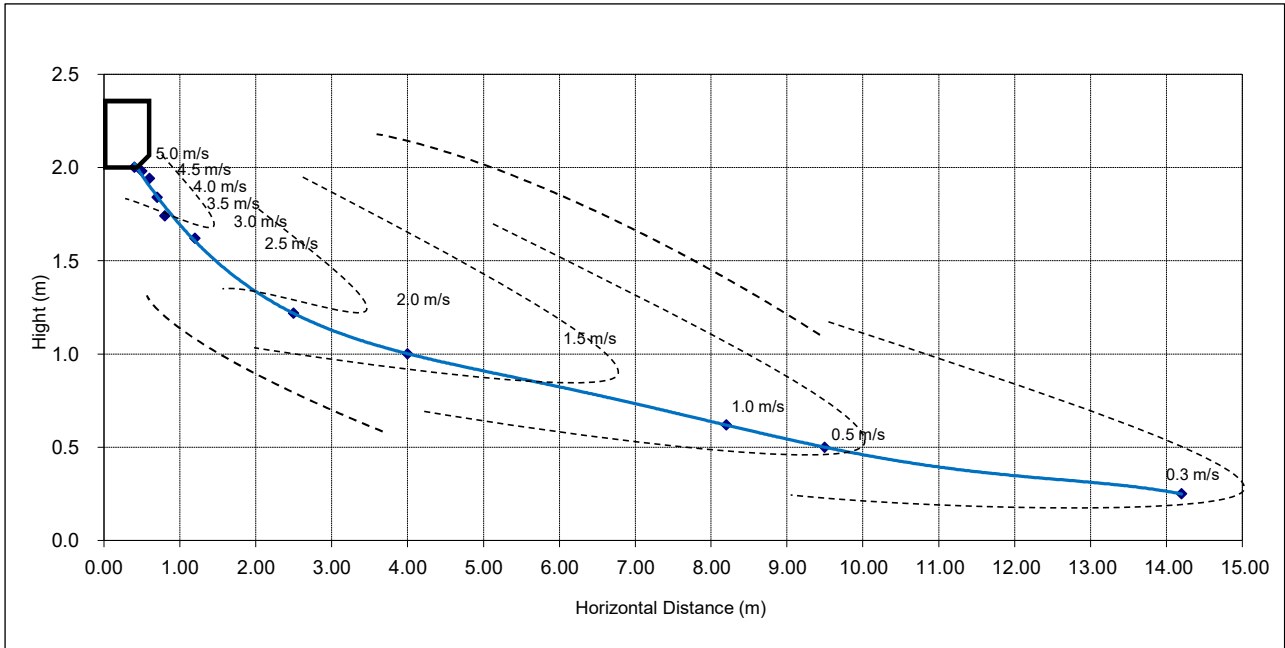
Heating



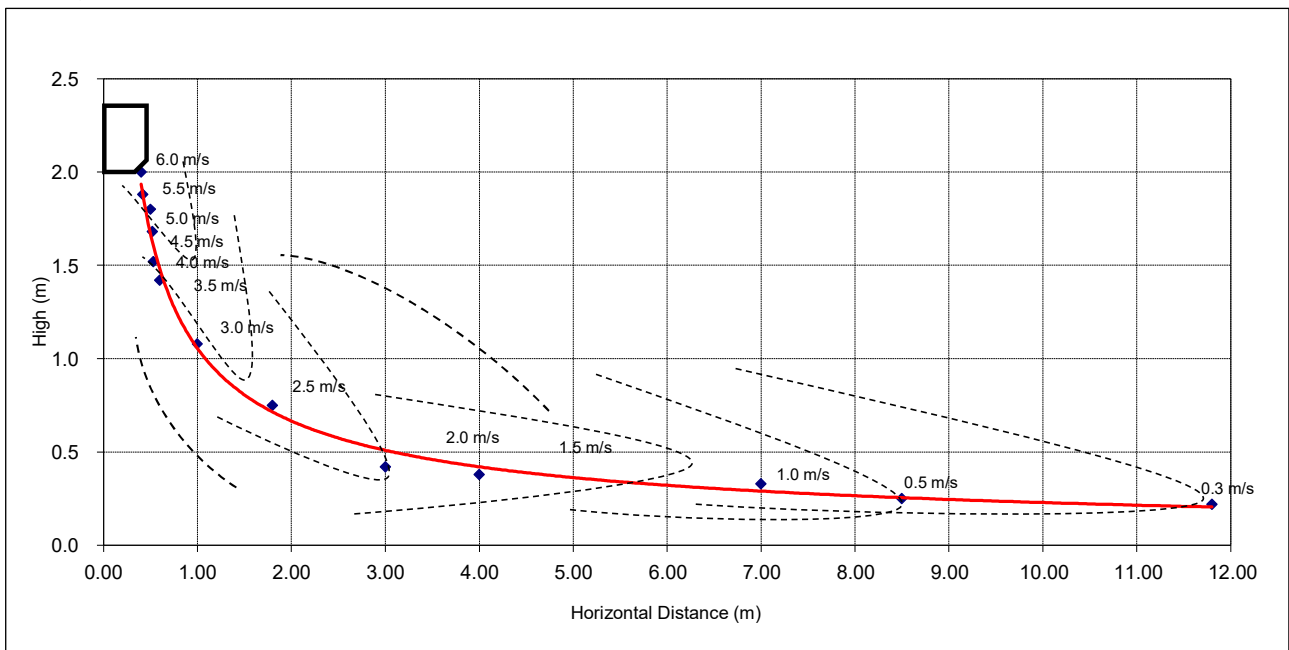


RAS-24E2KVG-E

Cooling



Heating

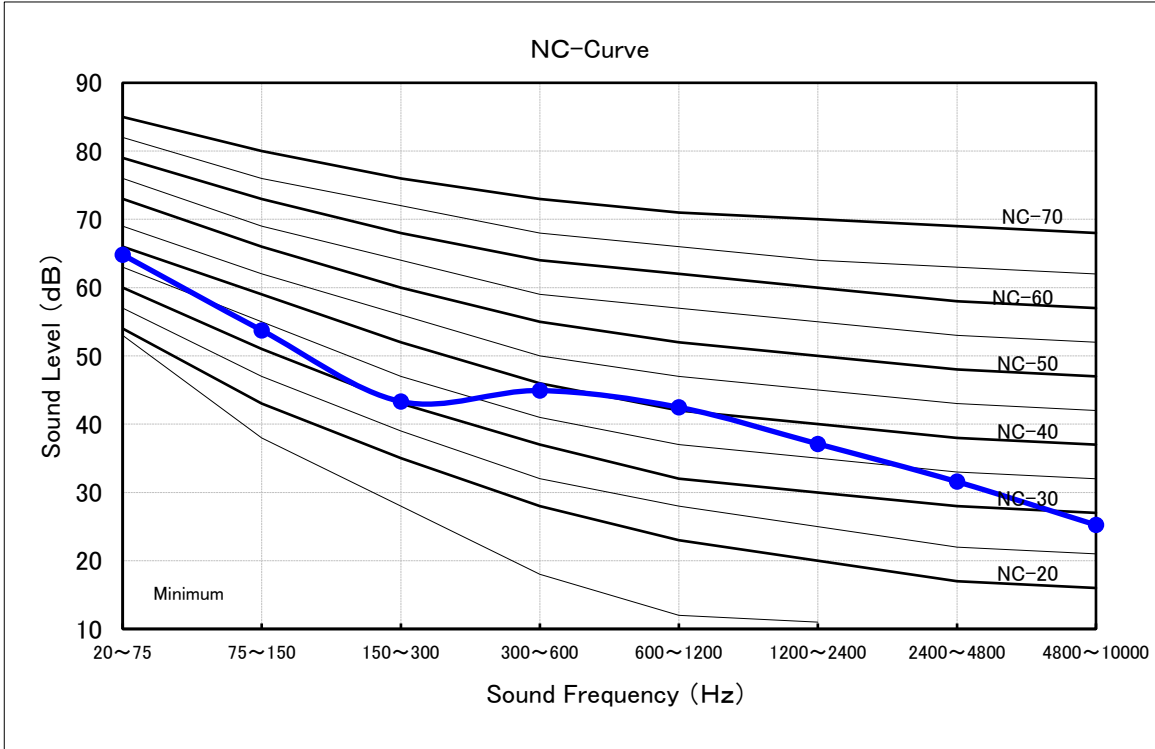


## 7. Sound Characteristics (NC Curve)

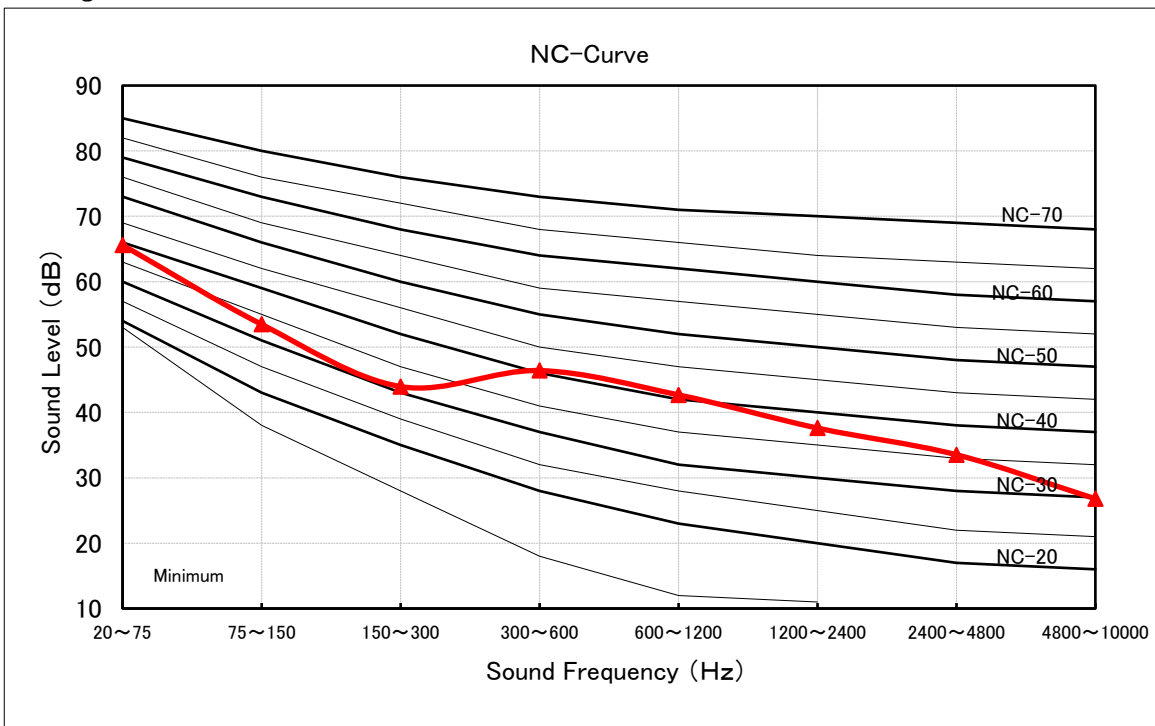
Outdoor Unit : RAS-05E2AVG-E (Rated Conditions)

Measured point	Specification (dB)	
	Cooling	Heating
Horizontal 1.0 m	47	48

Cooling



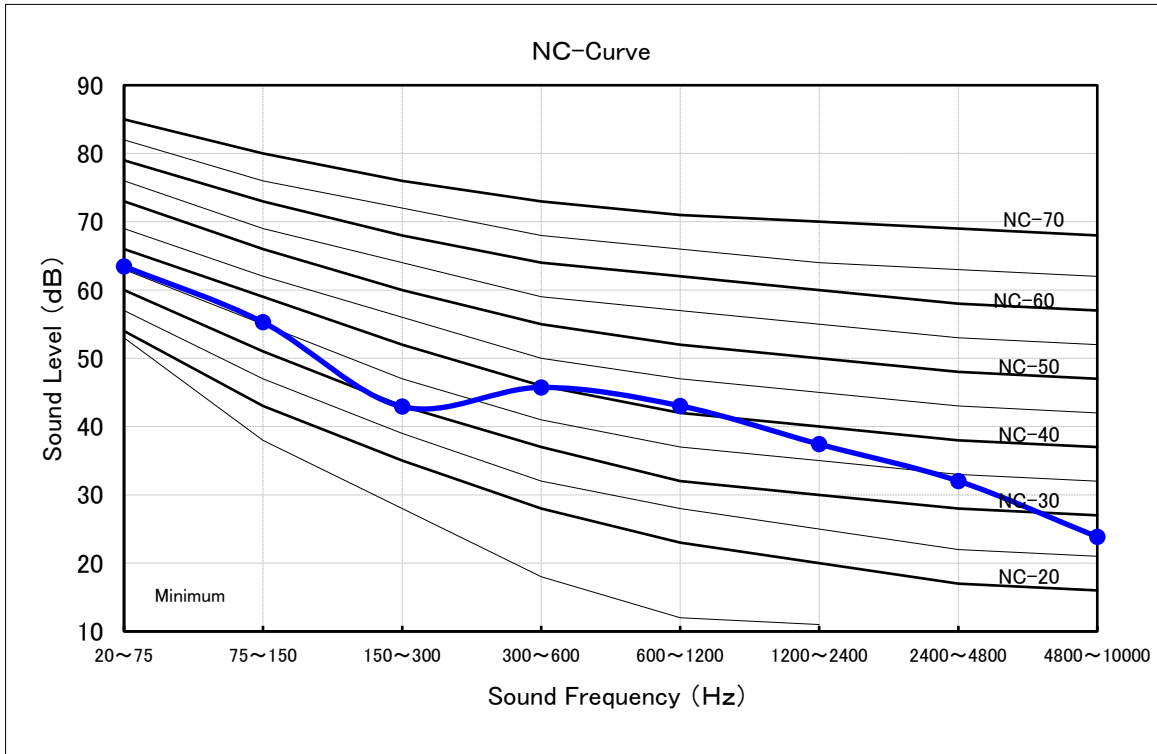
Heating



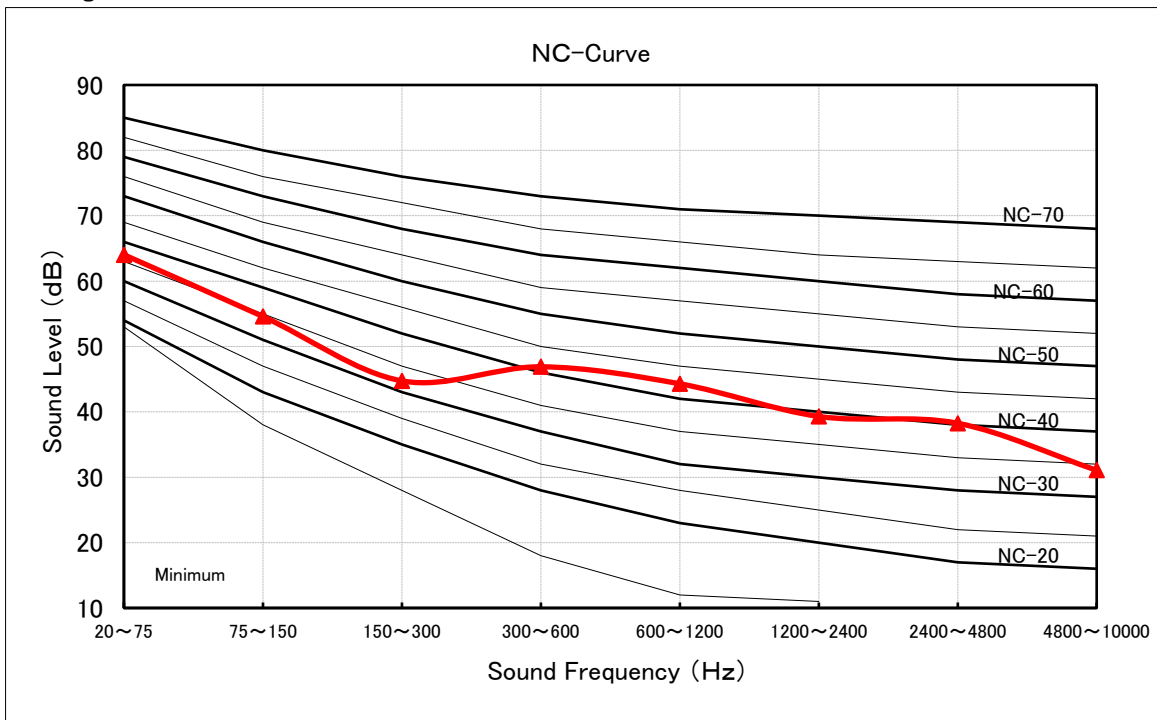
Outdoor Unit : RAS-07E2AVG-E (Rated Conditions)

Measured point	Specification (dB)	
	Cooling	Heating
Horizontal 1.0 m	47	49

Cooling



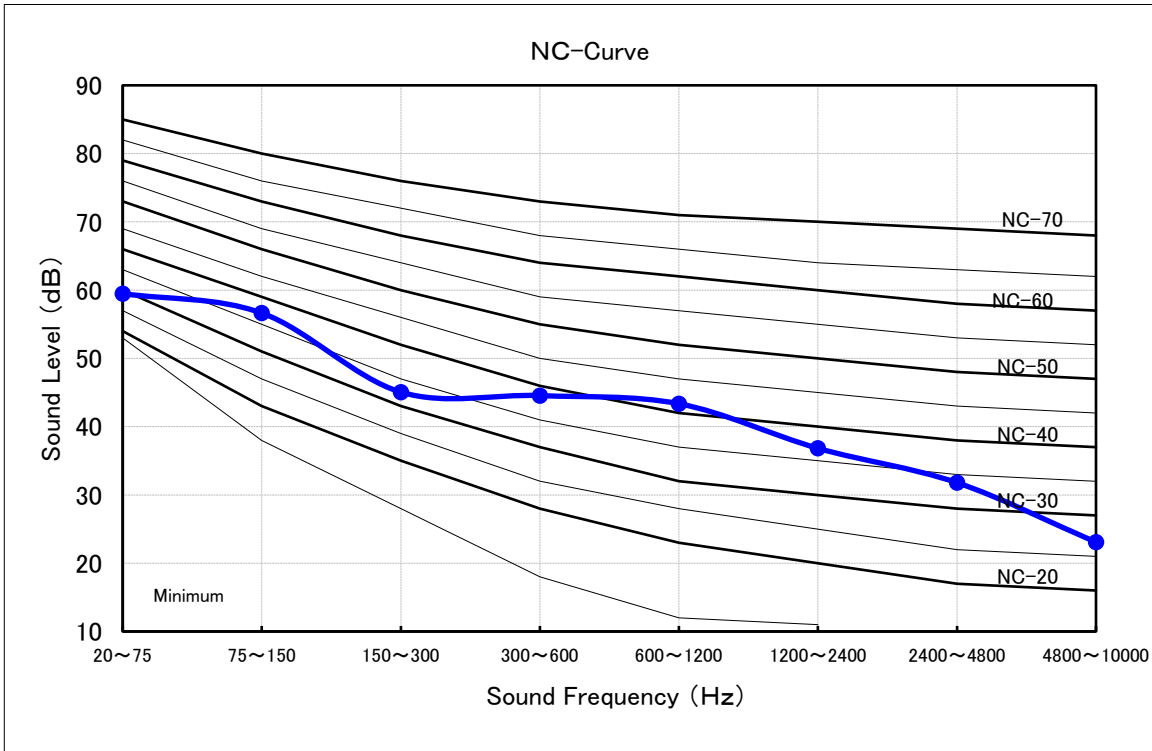
Heating



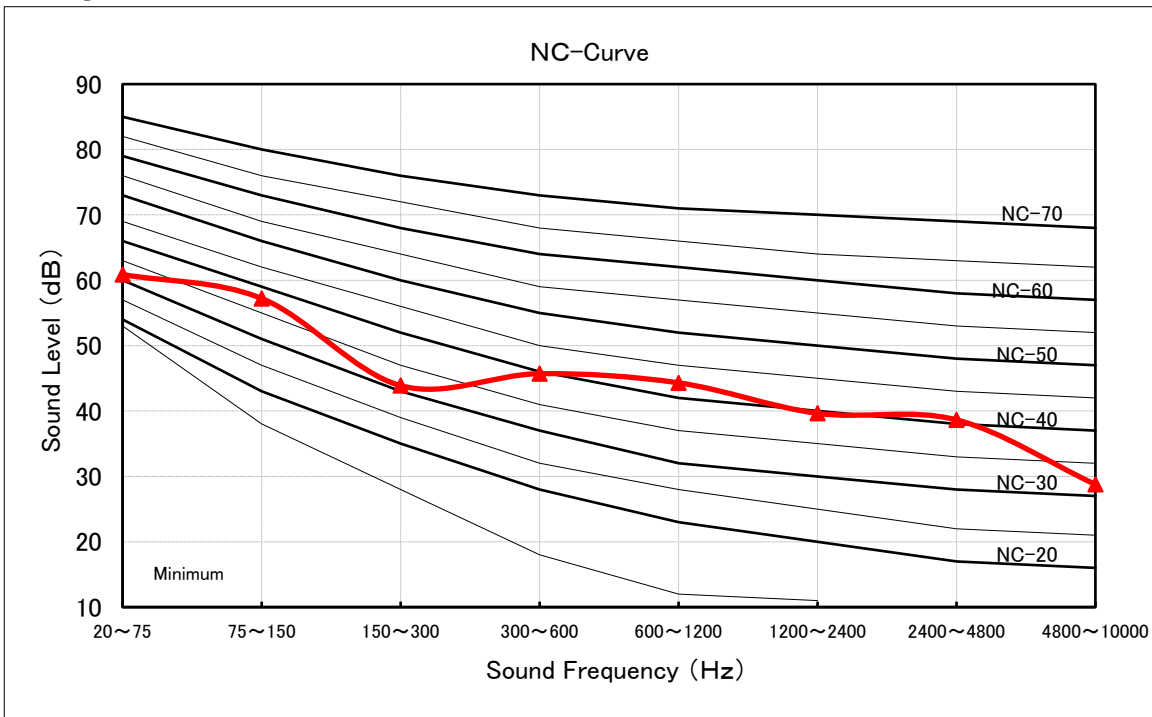
Outdoor Unit : RAS-10E2AVG-E (Rated Conditions)

Measured point	Specification (dB)	
	Cooling	Heating
Horizontal 1.0 m	47	49

Cooling



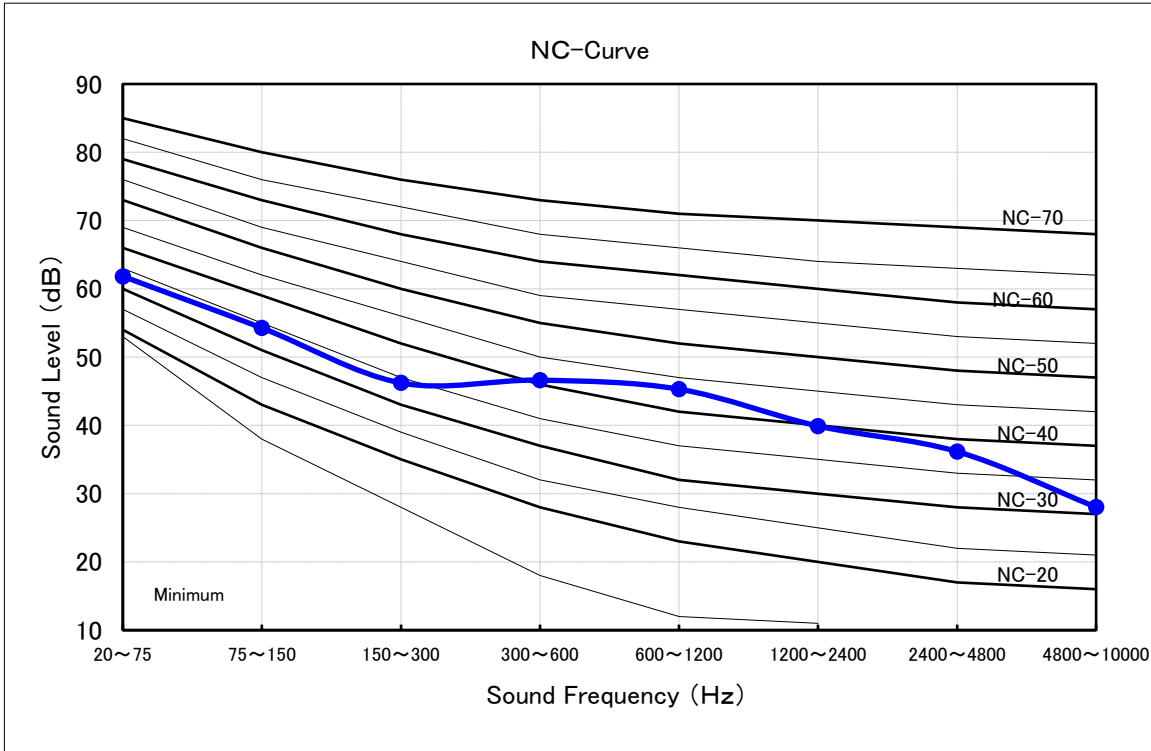
Heating



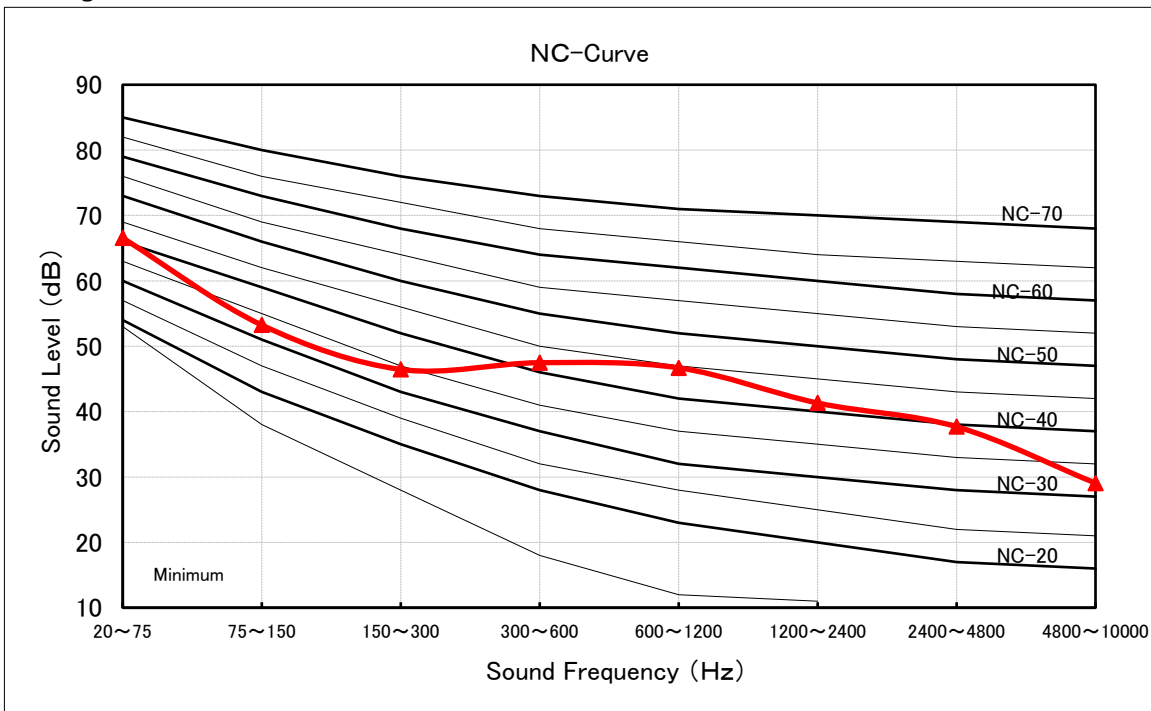
Outdoor Unit : RAS-13E2AVG-E (Rated Conditions)

Measured point	Specification (dB)	
	Cooling	Heating
Horizontal 1.0 m	48	49

Cooling



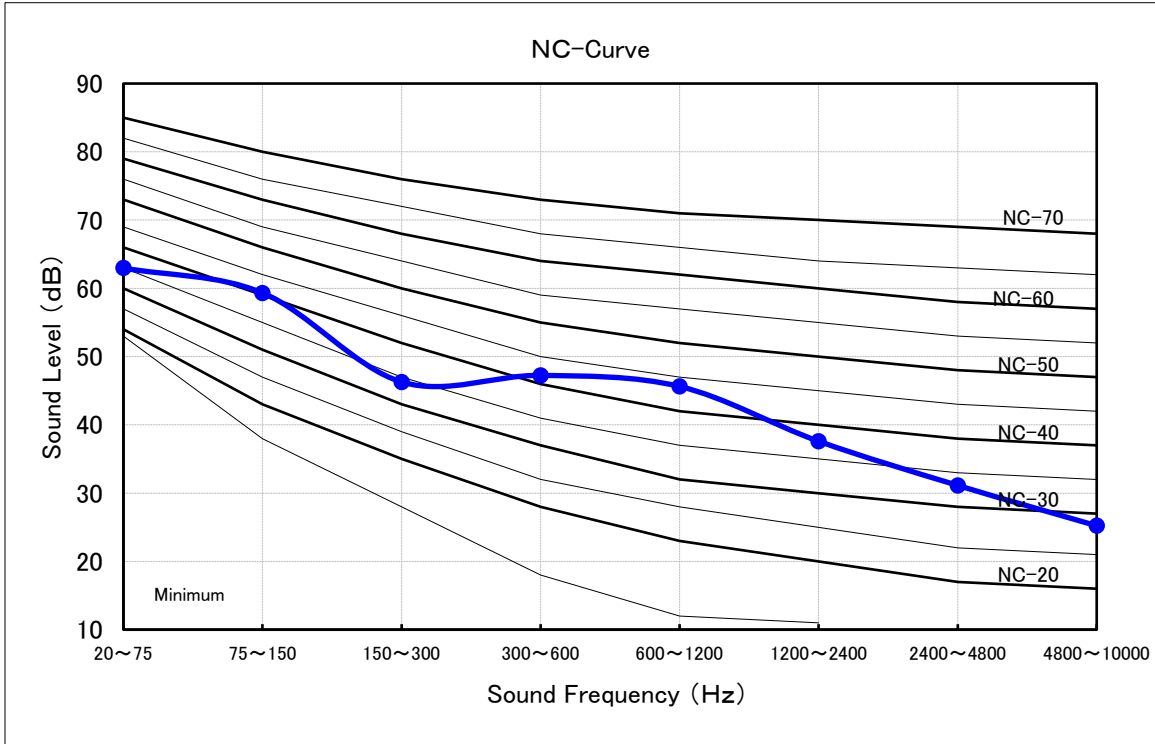
Heating



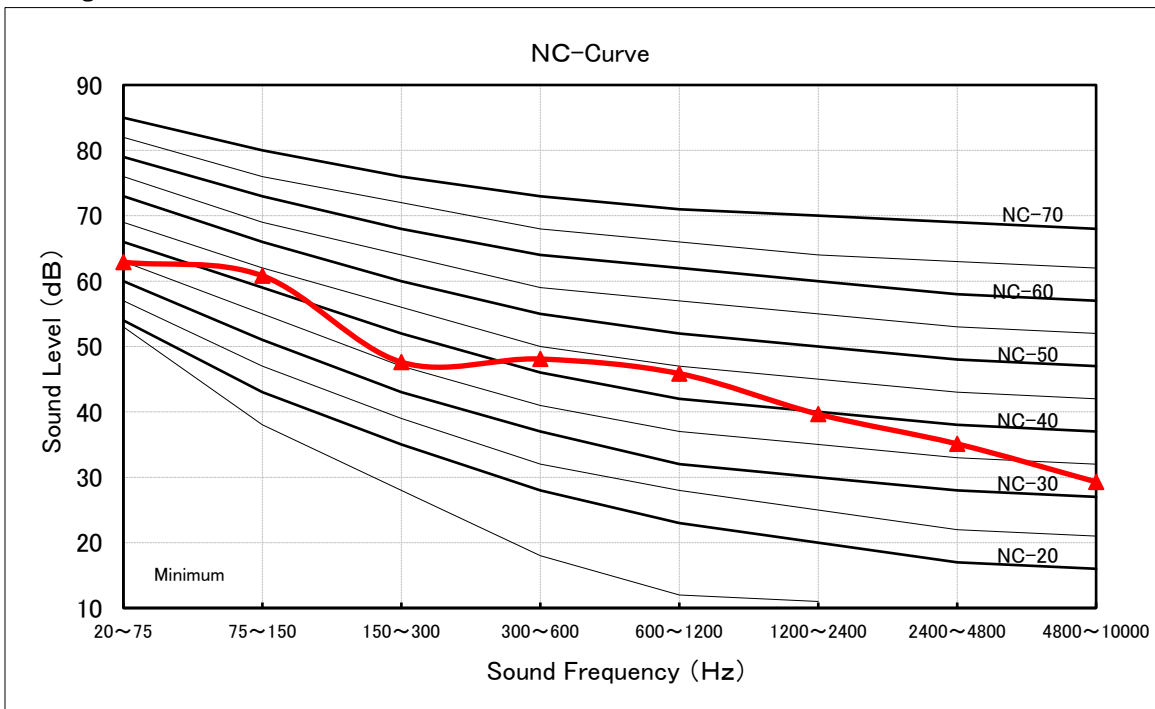
Outdoor Unit : RAS-16E2AVG-E (Rated Conditions)

Measured point	Specification (dB)	
	Cooling	Heating
Horizontal 1.0 m	50	51

Cooling



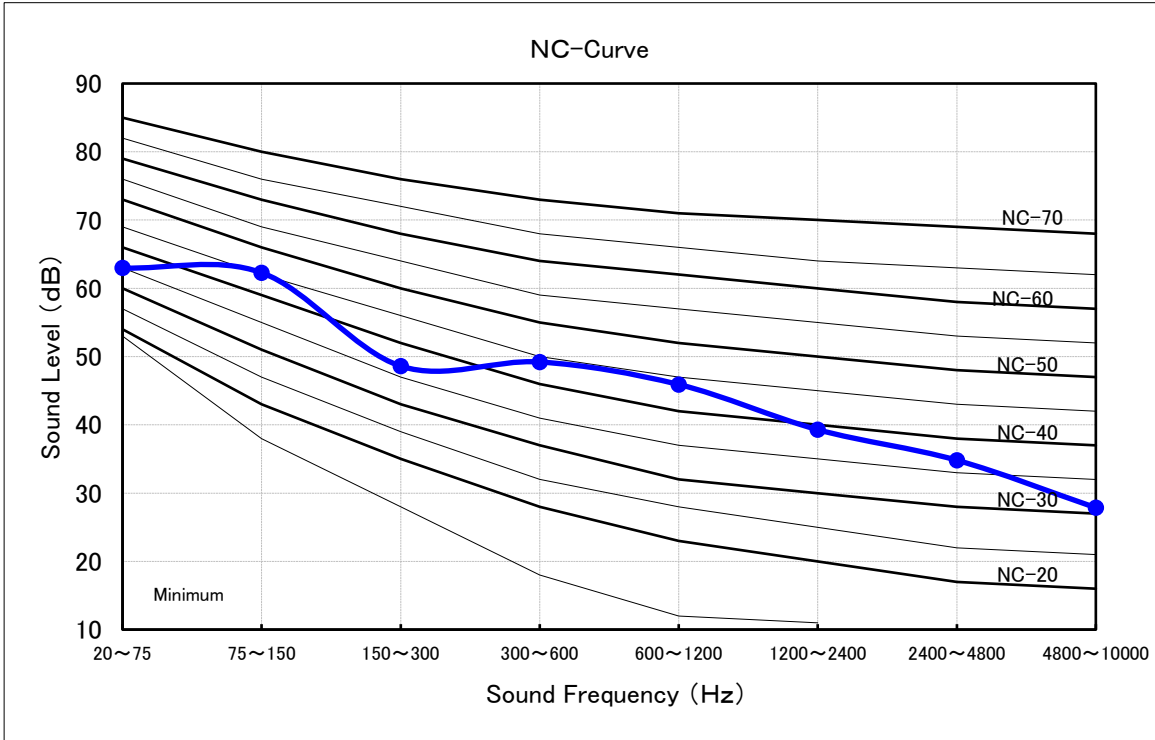
Heating



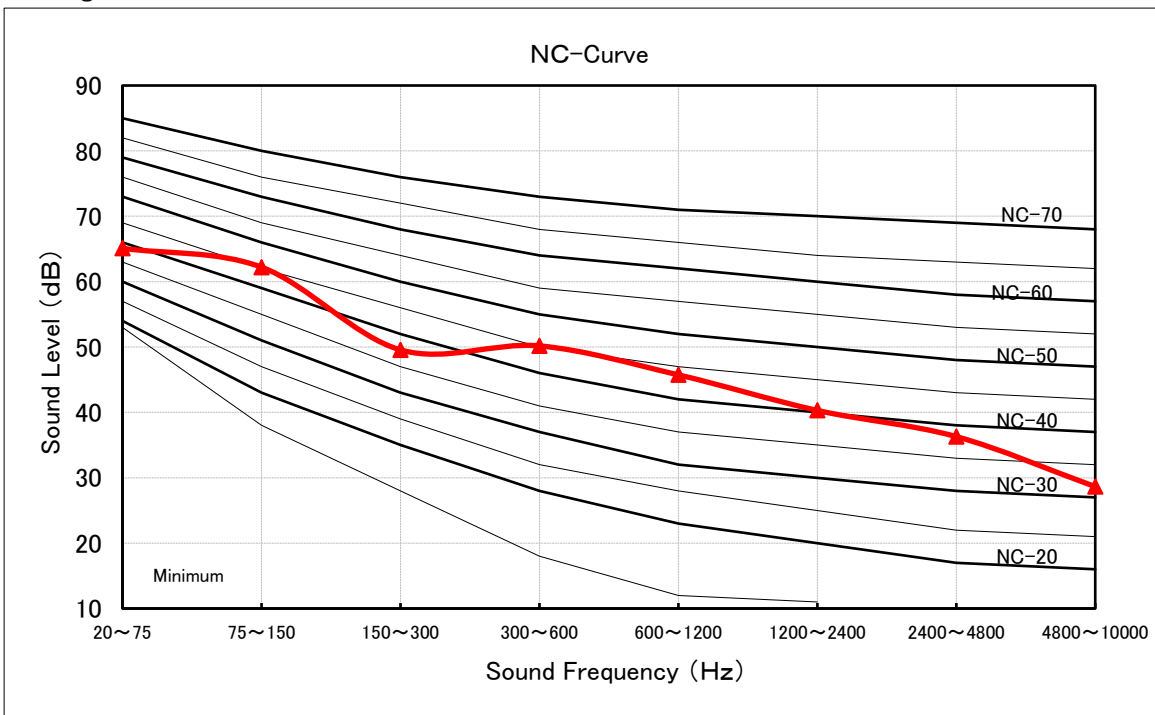
Outdoor Unit : RAS-18E2AVG-E (Rated Conditions)

Measured point	Specification (dB)	
	Cooling	Heating
Horizontal 1.0 m	50	51

Cooling



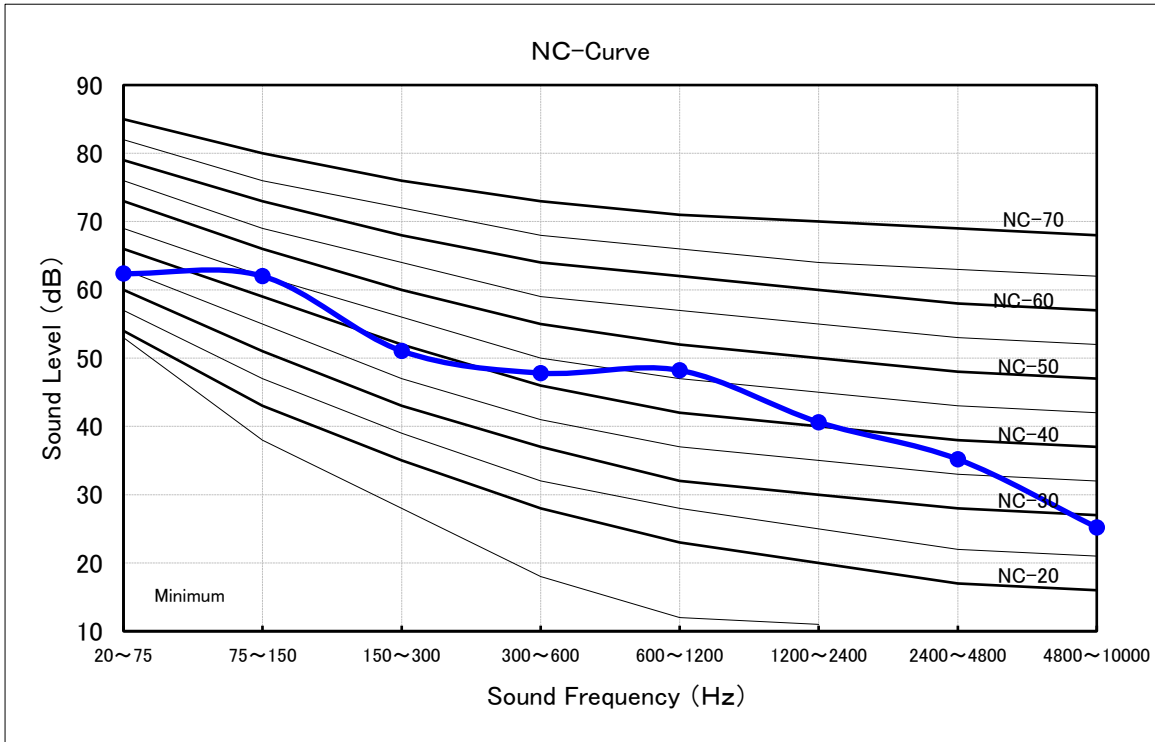
Heating



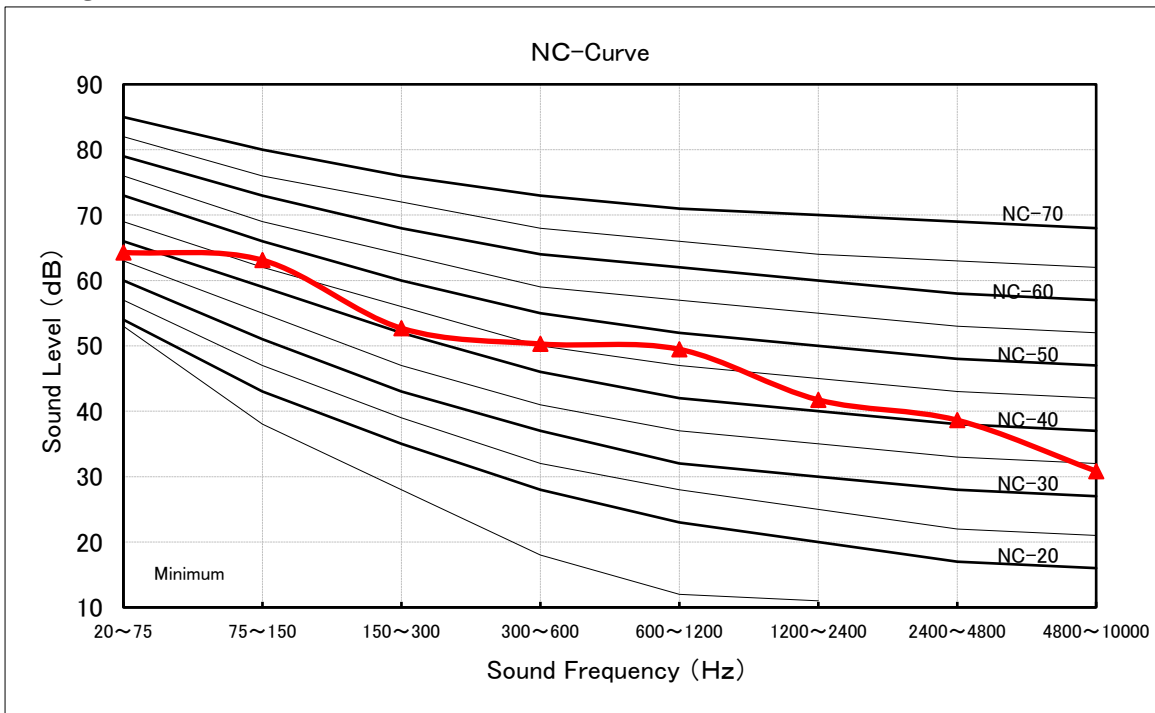
Outdoor Unit : RAS-24E2AVG-E (Rated Conditions)

Measured point	Specification (dB)	
	Cooling	Heating
Horizontal 1.0 m	54	54

Cooling



Heating





## 8. Capacity Table

Product models : RAS-B05E2KVG-E / RAS-05E2AVG-E

Specification of product at standard condition

Standard Condition	Indoor	27°C (DB) / 19°C (WB)	Total Cooling Capacity (TC)	1.50 kW
	Outdoor	35°C (DB) / 24°C (WB)	Sensible Heat Capacity (SHC)	1.20 kW

Outdoor air temperature DB (°C)	Indoor air temperature													
	20.0°C (DB) 14.0°C (WB)		23.0°C (DB) 16.0°C (WB)		26.0°C (DB) 18.0°C (WB)		27.0°C (DB) 19.0°C (WB)		28.0°C (DB) 20.0°C (WB)		30.0°C (DB) 22.0°C (WB)		32.0°C (DB) 24.0°C (WB)	
	TC	SHC	TC	SHC	TC	SHC	TC	SHC	TC	SHC	TC	SHC	TC	SHC
20	1.47	1.26	1.62	1.35	1.74	1.43	1.79	1.43	1.84	1.43	1.95	1.42	2.04	1.39
21	1.45	1.25	1.61	1.33	1.72	1.42	1.77	1.42	1.82	1.41	1.93	1.40	2.02	1.37
22	1.44	1.24	1.59	1.32	1.70	1.40	1.75	1.40	1.80	1.40	1.91	1.39	1.99	1.36
23	1.42	1.22	1.57	1.30	1.68	1.39	1.73	1.38	1.78	1.38	1.89	1.37	1.97	1.34
24	1.41	1.21	1.55	1.29	1.66	1.37	1.71	1.37	1.76	1.37	1.86	1.36	1.95	1.33
25	1.39	1.20	1.54	1.28	1.64	1.36	1.69	1.35	1.74	1.35	1.84	1.34	1.93	1.31
26	1.37	1.18	1.52	1.26	1.63	1.34	1.67	1.34	1.72	1.34	1.82	1.33	1.91	1.30
27	1.36	1.17	1.50	1.25	1.61	1.33	1.65	1.32	1.70	1.32	1.80	1.31	1.88	1.28
28	1.34	1.16	1.48	1.23	1.59	1.31	1.63	1.31	1.68	1.31	1.78	1.29	1.86	1.27
29	1.33	1.14	1.47	1.22	1.57	1.29	1.62	1.29	1.66	1.29	1.76	1.28	1.84	1.26
30	1.31	1.13	1.45	1.20	1.55	1.28	1.60	1.28	1.64	1.28	1.74	1.26	1.82	1.24
31	1.30	1.12	1.43	1.19	1.53	1.26	1.58	1.26	1.62	1.26	1.72	1.25	1.80	1.23
32	1.28	1.10	1.41	1.17	1.51	1.25	1.56	1.25	1.60	1.25	1.70	1.23	1.77	1.21
33	1.26	1.09	1.40	1.16	1.49	1.23	1.54	1.23	1.58	1.23	1.68	1.22	1.75	1.20
34	1.25	1.07	1.38	1.15	1.48	1.22	1.52	1.22	1.56	1.21	1.65	1.20	1.73	1.18
<b>35</b>	<b>1.23</b>	<b>1.06</b>	<b>1.36</b>	<b>1.13</b>	<b>1.46</b>	<b>1.20</b>	<b>1.50</b>	<b>1.20</b>	<b>1.54</b>	<b>1.20</b>	<b>1.63</b>	<b>1.19</b>	<b>1.71</b>	<b>1.17</b>
36	1.22	1.05	1.34	1.12	1.44	1.19	1.48	1.18	1.52	1.18	1.61	1.17	1.69	1.15
37	1.20	1.03	1.33	1.10	1.42	1.17	1.46	1.17	1.50	1.17	1.59	1.16	1.67	1.14
38	1.18	1.02	1.31	1.09	1.40	1.16	1.44	1.15	1.48	1.15	1.57	1.14	1.64	1.12
39	1.17	1.01	1.29	1.07	1.38	1.14	1.42	1.14	1.46	1.14	1.55	1.13	1.62	1.11
40	1.15	0.99	1.27	1.06	1.36	1.12	1.40	1.12	1.44	1.12	1.53	1.11	1.60	1.09
41	1.14	0.98	1.26	1.04	1.34	1.11	1.38	1.11	1.42	1.11	1.51	1.10	1.58	1.08
42	1.12	0.97	1.24	1.03	1.33	1.09	1.37	1.09	1.40	1.09	1.49	1.08	1.56	1.06
43	1.11	0.95	1.22	1.01	1.31	1.08	1.35	1.08	1.38	1.08	1.47	1.07	1.53	1.05
44	1.09	0.94	1.20	1.00	1.29	1.06	1.33	1.06	1.36	1.06	1.45	1.05	1.51	1.03
45	1.07	0.92	1.19	0.99	1.27	1.05	1.31	1.05	1.34	1.05	1.42	1.04	1.49	1.02
46	1.06	0.91	1.17	0.97	1.25	1.03	1.29	1.03	1.33	1.03	1.40	1.02	1.47	1.00

## Product models : RAS-B07E2KVG-E / RAS-07E2AVG-E

Specification of product at standard condition

Standard Condition	Indoor	27°C (DB) / 19°C (WB)	Total Cooling Capacity (TC)	2.00 kW
	Outdoor	35°C (DB) / 24°C (WB)	Sensible Heat Capacity (SHC)	1.56 kW

Outdoor air temperature DB (°C)	Indoor air temperature													
	20.0°C (DB) 14.0°C (WB)		23.0°C (DB) 16.0°C (WB)		26.0°C (DB) 18.0°C (WB)		27.0°C (DB) 19.0°C (WB)		28.0°C (DB) 20.0°C (WB)		30.0°C (DB) 22.0°C (WB)		32.0°C (DB) 24.0°C (WB)	
	TC	SHC	TC	SHC	TC	SHC	TC	SHC	TC	SHC	TC	SHC	TC	SHC
20	1.96	1.65	2.16	1.75	2.32	1.87	2.39	1.86	2.45	1.86	2.60	1.84	2.72	1.80
21	1.94	1.63	2.14	1.74	2.29	1.84	2.36	1.84	2.43	1.84	2.57	1.82	2.69	1.78
22	1.92	1.61	2.12	1.72	2.27	1.82	2.33	1.82	2.40	1.82	2.54	1.80	2.66	1.76
23	1.90	1.59	2.09	1.70	2.24	1.80	2.31	1.80	2.37	1.80	2.51	1.78	2.63	1.74
24	1.87	1.58	2.07	1.68	2.22	1.78	2.28	1.78	2.35	1.78	2.49	1.76	2.60	1.72
25	1.85	1.56	2.05	1.66	2.19	1.76	2.26	1.76	2.32	1.76	2.46	1.74	2.57	1.70
26	1.83	1.54	2.02	1.64	2.17	1.74	2.23	1.74	2.29	1.74	2.43	1.72	2.54	1.68
27	1.81	1.52	2.00	1.62	2.14	1.72	2.21	1.72	2.27	1.72	2.40	1.70	2.51	1.66
28	1.79	1.51	1.98	1.60	2.12	1.70	2.18	1.70	2.24	1.70	2.37	1.68	2.48	1.64
29	1.77	1.49	1.95	1.58	2.09	1.68	2.15	1.68	2.22	1.68	2.35	1.66	2.45	1.62
30	1.75	1.47	1.93	1.57	2.07	1.66	2.13	1.66	2.19	1.66	2.32	1.64	2.42	1.60
31	1.73	1.45	1.91	1.55	2.04	1.64	2.10	1.64	2.16	1.64	2.29	1.62	2.40	1.59
32	1.71	1.43	1.88	1.53	2.02	1.62	2.08	1.62	2.14	1.62	2.26	1.60	2.37	1.57
33	1.68	1.42	1.86	1.51	1.99	1.60	2.05	1.60	2.11	1.60	2.23	1.58	2.34	1.55
34	1.66	1.40	1.84	1.49	1.97	1.58	2.03	1.58	2.08	1.58	2.21	1.56	2.31	1.53
<b>35</b>	<b>1.64</b>	<b>1.38</b>	<b>1.81</b>	<b>1.47</b>	<b>1.94</b>	<b>1.56</b>	<b>2.00</b>	<b>1.56</b>	<b>2.06</b>	<b>1.56</b>	<b>2.18</b>	<b>1.54</b>	<b>2.28</b>	<b>1.51</b>
36	1.62	1.36	1.79	1.45	1.92	1.54	1.97	1.54	2.03	1.54	2.15	1.52	2.25	1.49
37	1.60	1.35	1.77	1.43	1.89	1.52	1.95	1.52	2.00	1.52	2.12	1.50	2.22	1.47
38	1.58	1.33	1.74	1.41	1.87	1.50	1.92	1.50	1.98	1.50	2.09	1.48	2.19	1.45
39	1.56	1.31	1.72	1.40	1.84	1.48	1.90	1.48	1.95	1.48	2.07	1.46	2.16	1.43
40	1.54	1.29	1.70	1.38	1.82	1.46	1.87	1.46	1.93	1.46	2.04	1.44	2.13	1.41
41	1.52	1.27	1.67	1.36	1.79	1.44	1.85	1.44	1.90	1.44	2.01	1.42	2.10	1.39
42	1.50	1.26	1.65	1.34	1.77	1.42	1.82	1.42	1.87	1.42	1.98	1.40	2.07	1.37
43	1.47	1.24	1.63	1.32	1.74	1.40	1.79	1.40	1.85	1.40	1.95	1.38	2.04	1.35
44	1.45	1.22	1.60	1.30	1.72	1.38	1.77	1.38	1.82	1.38	1.93	1.36	2.02	1.33
45	1.43	1.20	1.58	1.28	1.69	1.36	1.74	1.36	1.79	1.36	1.90	1.34	1.99	1.31
46	1.41	1.19	1.56	1.26	1.67	1.34	1.72	1.34	1.77	1.34	1.87	1.32	1.96	1.30

**Product models : RAS-B10E2KVG-E / RAS-10E2AVG-E**

Specification of product at standard condition

Standard Condition	Indoor	27°C (DB) / 19°C (WB)	Total Cooling Capacity (TC)	2.50 kW
	Outdoor	35°C (DB) / 24°C (WB)	Sensible Heat Capacity (SHC)	1.90 kW

Outdoor air temperature DB (°C)	Indoor air temperature													
	20.0°C (DB) 14.0°C (WB)		23.0°C (DB) 16.0°C (WB)		26.0°C (DB) 18.0°C (WB)		27.0°C (DB) 19.0°C (WB)		28.0°C (DB) 20.0°C (WB)		30.0°C (DB) 22.0°C (WB)		32.0°C (DB) 24.0°C (WB)	
	TC	SHC	TC	SHC	TC	SHC	TC	SHC	TC	SHC	TC	SHC	TC	SHC
20	2.45	2.01	2.70	2.14	2.90	2.27	2.98	2.27	3.07	2.26	3.25	2.23	3.40	2.18
21	2.42	1.99	2.68	2.12	2.86	2.25	2.95	2.24	3.03	2.24	3.21	2.21	3.36	2.16
22	2.40	1.97	2.65	2.09	2.83	2.22	2.92	2.22	3.00	2.21	3.18	2.18	3.32	2.13
23	2.37	1.95	2.62	2.07	2.80	2.20	2.89	2.19	2.97	2.19	3.14	2.16	3.29	2.11
24	2.34	1.92	2.59	2.05	2.77	2.18	2.85	2.17	2.93	2.16	3.11	2.14	3.25	2.09
25	2.32	1.90	2.56	2.02	2.74	2.15	2.82	2.14	2.90	2.14	3.07	2.11	3.21	2.06
26	2.29	1.88	2.53	2.00	2.71	2.13	2.79	2.12	2.87	2.11	3.04	2.09	3.18	2.04
27	2.26	1.86	2.50	1.98	2.68	2.10	2.76	2.10	2.84	2.09	3.00	2.06	3.14	2.02
28	2.24	1.84	2.47	1.95	2.65	2.08	2.72	2.07	2.80	2.07	2.97	2.04	3.10	1.99
29	2.21	1.82	2.44	1.93	2.62	2.05	2.69	2.05	2.77	2.04	2.93	2.02	3.07	1.97
30	2.19	1.79	2.41	1.91	2.58	2.03	2.66	2.02	2.74	2.02	2.90	1.99	3.03	1.95
31	2.16	1.77	2.38	1.89	2.55	2.00	2.63	2.00	2.70	1.99	2.86	1.97	2.99	1.92
32	2.13	1.75	2.36	1.86	2.52	1.98	2.60	1.97	2.67	1.97	2.83	1.94	2.96	1.90
33	2.11	1.73	2.33	1.84	2.49	1.96	2.56	1.95	2.64	1.94	2.79	1.92	2.92	1.88
34	2.08	1.71	2.30	1.82	2.46	1.93	2.53	1.92	2.60	1.92	2.76	1.90	2.88	1.85
<b>35</b>	<b>2.05</b>	<b>1.69</b>	<b>2.27</b>	<b>1.79</b>	<b>2.43</b>	<b>1.91</b>	<b>2.50</b>	<b>1.90</b>	<b>2.57</b>	<b>1.90</b>	<b>2.72</b>	<b>1.87</b>	<b>2.85</b>	<b>1.83</b>
36	2.03	1.66	2.24	1.77	2.40	1.88	2.47	1.88	2.54	1.87	2.69	1.85	2.81	1.80
37	2.00	1.64	2.21	1.75	2.37	1.86	2.44	1.85	2.51	1.85	2.65	1.82	2.78	1.78
38	1.97	1.62	2.18	1.72	2.34	1.83	2.40	1.83	2.47	1.82	2.62	1.80	2.74	1.76
39	1.95	1.60	2.15	1.70	2.30	1.81	2.37	1.80	2.44	1.80	2.58	1.78	2.70	1.73
40	1.92	1.58	2.12	1.68	2.27	1.78	2.34	1.78	2.41	1.77	2.55	1.75	2.67	1.71
41	1.90	1.56	2.09	1.66	2.24	1.76	2.31	1.75	2.37	1.75	2.51	1.73	2.63	1.69
42	1.87	1.53	2.06	1.63	2.21	1.74	2.28	1.73	2.34	1.73	2.48	1.70	2.59	1.66
43	1.84	1.51	2.03	1.61	2.18	1.71	2.24	1.70	2.31	1.70	2.44	1.68	2.56	1.64
44	1.82	1.49	2.01	1.59	2.15	1.69	2.21	1.68	2.27	1.68	2.41	1.66	2.52	1.62
45	1.79	1.47	1.98	1.56	2.12	1.66	2.18	1.66	2.24	1.65	2.37	1.63	2.48	1.59
46	1.76	1.45	1.95	1.54	2.09	1.64	2.15	1.63	2.21	1.63	2.34	1.61	2.45	1.57

**Product models : RAS-B13E2KVG-E / RAS-13E2AVG-E**

Specification of product at standard condition

Standard Condition	Indoor	27°C (DB) / 19°C (WB)	Total Cooling Capacity (TC)	3.30 kW
	Outdoor	35°C (DB) / 24°C (WB)	Sensible Heat Capacity (SHC)	2.45 kW

Outdoor air temperature DB (°C)	Indoor air temperature													
	20.0°C (DB) 14.0°C (WB)		23.0°C (DB) 16.0°C (WB)		26.0°C (DB) 18.0°C (WB)		27.0°C (DB) 19.0°C (WB)		28.0°C (DB) 20.0°C (WB)		30.0°C (DB) 22.0°C (WB)		32.0°C (DB) 24.0°C (WB)	
	TC	SHC	TC	SHC	TC	SHC	TC	SHC	TC	SHC	TC	SHC	TC	SHC
20	3.23	2.60	3.57	2.76	3.82	2.93	3.94	2.92	4.05	2.91	4.29	2.87	4.48	2.80
21	3.20	2.57	3.53	2.73	3.78	2.90	3.89	2.89	4.00	2.88	4.24	2.84	4.44	2.77
22	3.16	2.54	3.49	2.70	3.74	2.87	3.85	2.86	3.96	2.85	4.19	2.81	4.39	2.74
23	3.13	2.51	3.45	2.67	3.70	2.84	3.81	2.83	3.92	2.82	4.15	2.78	4.34	2.71
24	3.09	2.48	3.42	2.64	3.66	2.81	3.77	2.80	3.87	2.79	4.10	2.75	4.29	2.68
25	3.06	2.46	3.38	2.61	3.62	2.78	3.72	2.76	3.83	2.76	4.06	2.72	4.24	2.65
26	3.02	2.43	3.34	2.58	3.58	2.74	3.68	2.73	3.79	2.73	4.01	2.69	4.19	2.62
27	2.99	2.40	3.30	2.55	3.53	2.71	3.64	2.70	3.74	2.69	3.96	2.65	4.15	2.59
28	2.95	2.37	3.26	2.52	3.49	2.68	3.60	2.67	3.70	2.66	3.92	2.62	4.10	2.56
29	2.92	2.34	3.22	2.49	3.45	2.65	3.55	2.64	3.66	2.63	3.87	2.59	4.05	2.53
30	2.88	2.32	3.19	2.46	3.41	2.62	3.51	2.61	3.61	2.60	3.83	2.56	4.00	2.50
31	2.85	2.29	3.15	2.43	3.37	2.59	3.47	2.58	3.57	2.57	3.78	2.53	3.95	2.47
32	2.81	2.26	3.11	2.40	3.33	2.55	3.43	2.54	3.53	2.54	3.73	2.50	3.90	2.44
33	2.78	2.23	3.07	2.37	3.29	2.52	3.38	2.51	3.48	2.51	3.69	2.47	3.86	2.41
34	2.75	2.21	3.03	2.34	3.25	2.49	3.34	2.48	3.44	2.47	3.64	2.44	3.81	2.38
<b>35</b>	<b>2.71</b>	<b>2.18</b>	<b>2.99</b>	<b>2.32</b>	<b>3.21</b>	<b>2.46</b>	<b>3.30</b>	<b>2.45</b>	<b>3.39</b>	<b>2.44</b>	<b>3.59</b>	<b>2.41</b>	<b>3.76</b>	<b>2.35</b>
36	2.68	2.15	2.96	2.29	3.16	2.43	3.26	2.42	3.35	2.41	3.55	2.38	3.71	2.32
37	2.64	2.12	2.92	2.26	3.12	2.40	3.22	2.39	3.31	2.38	3.50	2.35	3.66	2.29
38	2.61	2.09	2.88	2.23	3.08	2.37	3.17	2.36	3.26	2.35	3.46	2.31	3.61	2.26
39	2.57	2.07	2.84	2.20	3.04	2.33	3.13	2.32	3.22	2.32	3.41	2.28	3.57	2.23
40	2.54	2.04	2.80	2.17	3.00	2.30	3.09	2.29	3.18	2.29	3.36	2.25	3.52	2.20
41	2.50	2.01	2.76	2.14	2.96	2.27	3.05	2.26	3.13	2.25	3.32	2.22	3.47	2.17
42	2.47	1.98	2.72	2.11	2.92	2.24	3.00	2.23	3.09	2.22	3.27	2.19	3.42	2.14
43	2.43	1.95	2.69	2.08	2.88	2.21	2.96	2.20	3.05	2.19	3.23	2.16	3.37	2.11
44	2.40	1.93	2.65	2.05	2.84	2.18	2.92	2.17	3.00	2.16	3.18	2.13	3.33	2.08
45	2.36	1.90	2.61	2.02	2.79	2.14	2.88	2.14	2.96	2.13	3.13	2.10	3.28	2.05
46	2.33	1.87	2.57	1.99	2.75	2.11	2.83	2.10	2.92	2.10	3.09	2.07	3.23	2.02

**Product models : RAS-B16E2KVG-E / RAS-16E2AVG-E**

Specification of product at standard condition

Standard Condition	Indoor	27°C (DB) / 19°C (WB)	Total Cooling Capacity (TC)	4.20 kW
	Outdoor	35°C (DB) / 24°C (WB)	Sensible Heat Capacity (SHC)	3.20 kW

Outdoor air temperature DB (°C)	Indoor air temperature													
	20.0°C (DB) 14.0°C (WB)		23.0°C (DB) 16.0°C (WB)		26.0°C (DB) 18.0°C (WB)		27.0°C (DB) 19.0°C (WB)		28.0°C (DB) 20.0°C (WB)		30.0°C (DB) 22.0°C (WB)		32.0°C (DB) 24.0°C (WB)	
	TC	SHC	TC	SHC	TC	SHC	TC	SHC	TC	SHC	TC	SHC	TC	SHC
20	4.11	3.38	4.54	3.60	4.87	3.83	5.01	3.82	5.15	3.81	5.46	3.76	5.71	3.67
21	4.07	3.35	4.49	3.56	4.81	3.79	4.95	3.77	5.10	3.77	5.40	3.72	5.64	3.63
22	4.03	3.31	4.45	3.52	4.76	3.75	4.90	3.73	5.04	3.73	5.34	3.68	5.58	3.59
23	3.98	3.28	4.40	3.49	4.71	3.70	4.85	3.69	4.99	3.69	5.28	3.64	5.52	3.56
24	3.94	3.24	4.35	3.45	4.66	3.66	4.79	3.65	4.93	3.64	5.22	3.60	5.46	3.52
25	3.89	3.20	4.30	3.41	4.60	3.62	4.74	3.61	4.87	3.60	5.16	3.56	5.40	3.48
26	3.85	3.17	4.25	3.37	4.55	3.58	4.69	3.57	4.82	3.56	5.10	3.52	5.34	3.44
27	3.80	3.13	4.20	3.33	4.50	3.54	4.63	3.53	4.76	3.52	5.04	3.48	5.28	3.40
28	3.76	3.09	4.15	3.29	4.45	3.50	4.58	3.49	4.71	3.48	4.99	3.44	5.21	3.36
29	3.72	3.06	4.10	3.25	4.39	3.46	4.52	3.45	4.65	3.44	4.93	3.40	5.15	3.32
30	3.67	3.02	4.05	3.21	4.34	3.42	4.47	3.41	4.60	3.40	4.87	3.35	5.09	3.28
31	3.63	2.98	4.01	3.18	4.29	3.38	4.42	3.36	4.54	3.36	4.81	3.31	5.03	3.24
32	3.58	2.95	3.96	3.14	4.24	3.33	4.36	3.32	4.49	3.32	4.75	3.27	4.97	3.20
33	3.54	2.91	3.91	3.10	4.18	3.29	4.31	3.28	4.43	3.28	4.69	3.23	4.91	3.16
34	3.49	2.87	3.86	3.06	4.13	3.25	4.25	3.24	4.38	3.23	4.63	3.19	4.85	3.12
<b>35</b>	<b>3.45</b>	<b>2.84</b>	<b>3.81</b>	<b>3.02</b>	<b>4.08</b>	<b>3.21</b>	<b>4.20</b>	<b>3.20</b>	<b>4.32</b>	<b>3.19</b>	<b>4.58</b>	<b>3.15</b>	<b>4.79</b>	<b>3.08</b>
36	3.41	2.80	3.76	2.98	4.03	3.17	4.15	3.16	4.26	3.15	4.52	3.11	4.72	3.04
37	3.36	2.77	3.71	2.94	3.98	3.13	4.09	3.12	4.21	3.11	4.46	3.07	4.66	3.00
38	3.32	2.73	3.66	2.90	3.92	3.09	4.04	3.08	4.15	3.07	4.40	3.03	4.60	2.96
39	3.27	2.69	3.61	2.87	3.87	3.05	3.98	3.04	4.10	3.03	4.34	2.99	4.54	2.92
40	3.02	2.49	3.34	2.65	3.58	2.81	3.68	2.80	3.79	2.80	4.01	2.76	4.19	2.70
41	2.94	2.42	3.25	2.58	3.48	2.74	3.58	2.73	3.68	2.72	3.90	2.69	4.08	2.63
42	2.86	2.36	3.16	2.51	3.39	2.66	3.49	2.66	3.59	2.65	3.80	2.62	3.97	2.56
43	2.79	2.29	3.08	2.44	3.30	2.59	3.39	2.59	3.49	2.58	3.70	2.55	3.87	2.49
44	2.71	2.23	3.00	2.37	3.21	2.52	3.30	2.52	3.40	2.51	3.60	2.48	3.76	2.42
45	2.64	2.17	2.91	2.31	3.12	2.46	3.21	2.45	3.31	2.44	3.50	2.41	3.66	2.36
46	2.57	2.11	2.84	2.25	3.04	2.39	3.13	2.38	3.22	2.38	3.41	2.35	3.56	2.29

**Product models : RAS-18E2KVG-E / RAS-18E2AVG-E**

Specification of product at standard condition

Standard Condition	Indoor	27°C (DB) / 19°C (WB)	Total Cooling Capacity (TC)	5.00 kW
	Outdoor	35°C (DB) / 24°C (WB)		Sensible Heat Capacity (SHC)

Outdoor air temperature DB (°C)	Indoor air temperature													
	20.0°C (DB) 14.0°C (WB)		23.0°C (DB) 16.0°C (WB)		26.0°C (DB) 18.0°C (WB)		27.0°C (DB) 19.0°C (WB)		28.0°C (DB) 20.0°C (WB)		30.0°C (DB) 22.0°C (WB)		32.0°C (DB) 24.0°C (WB)	
	TC	SHC	TC	SHC	TC	SHC	TC	SHC	TC	SHC	TC	SHC	TC	SHC
20	4.90	3.73	5.41	3.95	5.79	4.20	5.96	4.17	6.13	4.15	6.49	4.07	6.79	3.95
21	4.84	3.69	5.35	3.91	5.73	4.15	5.90	4.13	6.07	4.11	6.43	4.03	6.72	3.91
22	4.79	3.65	5.29	3.87	5.67	4.11	5.83	4.08	6.00	4.06	6.36	3.99	6.65	3.87
23	4.74	3.61	5.23	3.83	5.60	4.06	5.77	4.04	5.94	4.02	6.29	3.94	6.57	3.83
24	4.69	3.57	5.18	3.78	5.54	4.02	5.71	3.99	5.87	3.98	6.22	3.90	6.50	3.78
25	4.63	3.53	5.12	3.74	5.48	3.97	5.64	3.95	5.80	3.93	6.15	3.85	6.43	3.74
26	4.58	3.49	5.06	3.70	5.42	3.93	5.58	3.90	5.74	3.89	6.08	3.81	6.35	3.70
27	4.53	3.45	5.00	3.66	5.36	3.88	5.51	3.86	5.67	3.84	6.01	3.77	6.28	3.66
28	4.48	3.41	4.94	3.61	5.29	3.84	5.45	3.81	5.61	3.80	5.94	3.72	6.21	3.61
29	4.42	3.37	4.88	3.57	5.23	3.79	5.39	3.77	5.54	3.75	5.87	3.68	6.14	3.57
30	4.37	3.33	4.83	3.53	5.17	3.75	5.32	3.72	5.47	3.71	5.80	3.64	6.06	3.53
31	4.32	3.29	4.77	3.49	5.11	3.70	5.26	3.68	5.41	3.66	5.73	3.59	5.99	3.48
32	4.27	3.24	4.71	3.44	5.04	3.66	5.19	3.63	5.34	3.62	5.66	3.55	5.92	3.44
33	4.21	3.20	4.65	3.40	4.98	3.61	5.13	3.59	5.28	3.57	5.59	3.50	5.84	3.40
34	4.16	3.16	4.59	3.36	4.92	3.57	5.06	3.54	5.21	3.53	5.52	3.46	5.77	3.36
<b>35</b>	<b>4.11</b>	<b>3.12</b>	<b>4.54</b>	<b>3.32</b>	<b>4.86</b>	<b>3.52</b>	<b>5.00</b>	<b>3.50</b>	<b>5.14</b>	<b>3.48</b>	<b>5.45</b>	<b>3.42</b>	<b>5.70</b>	<b>3.31</b>
36	4.05	3.08	4.48	3.27	4.79	3.48	4.94	3.46	5.08	3.44	5.38	3.37	5.62	3.27
37	4.00	3.04	4.42	3.23	4.73	3.43	4.87	3.41	5.01	3.39	5.31	3.33	5.55	3.23
38	3.95	3.00	4.36	3.19	4.67	3.39	4.81	3.37	4.94	3.35	5.24	3.28	5.48	3.19
39	3.90	2.96	4.30	3.15	4.61	3.34	4.74	3.32	4.88	3.30	5.17	3.24	5.40	3.14
40	3.84	2.92	4.24	3.10	4.55	3.30	4.68	3.28	4.81	3.26	5.10	3.20	5.33	3.10
41	3.79	2.88	4.19	3.06	4.48	3.25	4.62	3.23	4.75	3.22	5.03	3.15	5.26	3.06
42	3.74	2.84	4.13	3.02	4.42	3.20	4.55	3.19	4.68	3.17	4.96	3.11	5.18	3.02
43	3.66	2.79	4.05	2.96	4.33	3.14	4.46	3.12	4.59	3.11	4.86	3.05	5.08	2.96
44	3.56	2.71	3.94	2.88	4.22	3.06	4.34	3.04	4.46	3.02	4.73	2.96	4.94	2.88
45	3.23	2.46	3.56	2.61	3.82	2.77	3.93	2.75	4.04	2.74	4.28	2.68	4.48	2.61
46	3.14	2.39	3.47	2.54	3.71	2.69	3.82	2.68	3.93	2.66	4.17	2.61	4.36	2.54

**Product models : RAS-24E2KVG-E / RAS-24E2AVG-E**

Specification of product at standard condition

Standard Condition	Indoor	27°C (DB) / 19°C (WB)	Total Cooling Capacity (TC)	6.50	kW
	Outdoor	35°C (DB) / 24°C (WB)		Sensible Heat Capacity (SHC)	

Outdoor air temperature DB (°C)	Indoor air temperature													
	20.0°C (DB) 14.0°C (WB)		23.0°C (DB) 16.0°C (WB)		26.0°C (DB) 18.0°C (WB)		27.0°C (DB) 19.0°C (WB)		28.0°C (DB) 20.0°C (WB)		30.0°C (DB) 22.0°C (WB)		32.0°C (DB) 24.0°C (WB)	
	TC	SHC	TC	SHC	TC	SHC	TC	SHC	TC	SHC	TC	SHC	TC	SHC
20	6.37	4.60	7.03	4.87	7.53	5.17	7.75	5.13	7.97	5.09	8.44	4.97	8.83	4.80
21	6.30	4.55	6.96	4.82	7.45	5.11	7.67	5.07	7.89	5.04	8.35	4.92	8.74	4.75
22	6.23	4.50	6.88	4.76	7.37	5.06	7.58	5.02	7.80	4.98	8.26	4.86	8.64	4.70
23	6.16	4.45	6.80	4.71	7.29	5.00	7.50	4.96	7.72	4.93	8.17	4.81	8.55	4.64
24	6.09	4.40	6.73	4.66	7.21	4.95	7.42	4.91	7.63	4.87	8.08	4.76	8.45	4.59
25	6.02	4.35	6.65	4.61	7.12	4.89	7.33	4.85	7.54	4.82	7.99	4.70	8.36	4.54
26	5.96	4.30	6.58	4.55	7.04	4.84	7.25	4.80	7.46	4.76	7.90	4.65	8.26	4.49
27	5.89	4.25	6.50	4.50	6.96	4.78	7.17	4.74	7.37	4.71	7.81	4.60	8.17	4.44
28	5.82	4.20	6.43	4.45	6.88	4.72	7.08	4.69	7.29	4.65	7.72	4.54	8.07	4.39
29	5.75	4.15	6.35	4.40	6.80	4.67	7.00	4.63	7.20	4.60	7.63	4.49	7.98	4.33
30	5.68	4.10	6.27	4.35	6.72	4.61	6.92	4.58	7.11	4.55	7.53	4.44	7.88	4.28
31	5.61	4.05	6.20	4.29	6.64	4.56	6.83	4.52	7.03	4.49	7.44	4.38	7.79	4.23
32	5.54	4.01	6.12	4.24	6.56	4.50	6.75	4.47	6.94	4.44	7.35	4.33	7.69	4.18
33	5.48	3.96	6.05	4.19	6.48	4.45	6.67	4.41	6.86	4.38	7.26	4.28	7.60	4.13
34	5.41	3.91	5.97	4.14	6.40	4.39	6.58	4.36	6.77	4.33	7.17	4.22	7.50	4.08
<b>35</b>	<b>5.34</b>	<b>3.86</b>	<b>5.90</b>	<b>4.08</b>	<b>6.31</b>	<b>4.33</b>	<b>6.50</b>	<b>4.30</b>	<b>6.69</b>	<b>4.27</b>	<b>7.08</b>	<b>4.17</b>	<b>7.41</b>	<b>4.02</b>
36	5.27	3.81	5.82	4.03	6.23	4.28	6.42	4.24	6.60	4.22	6.99	4.12	7.31	3.97
37	5.20	3.76	5.74	3.98	6.15	4.22	6.33	4.19	6.51	4.16	6.90	4.06	7.22	3.92
38	5.13	3.71	5.67	3.93	6.07	4.17	6.25	4.13	6.43	4.11	6.81	4.01	7.12	3.87
39	5.07	3.66	5.59	3.87	5.99	4.11	6.17	4.08	6.34	4.05	6.72	3.95	7.03	3.82
40	4.11	2.97	4.54	3.15	4.87	3.34	5.01	3.31	5.15	3.29	5.46	3.21	5.71	3.10
41	4.00	2.89	4.42	3.06	4.74	3.25	4.88	3.23	5.01	3.20	5.31	3.13	5.55	3.02
42	3.90	2.82	4.30	2.98	4.61	3.16	4.74	3.14	4.88	3.12	5.17	3.04	5.41	2.94
43	3.79	2.74	4.19	2.90	4.49	3.08	4.62	3.05	4.75	3.03	5.03	2.96	5.26	2.86
44	3.69	2.67	4.08	2.82	4.37	3.00	4.49	2.97	4.62	2.95	4.90	2.88	5.12	2.78
45	3.43	2.48	3.79	2.62	4.06	2.79	4.18	2.76	4.30	2.74	4.55	2.68	4.76	2.59
46	3.34	2.41	3.69	2.55	3.95	2.71	4.06	2.69	4.18	2.67	4.43	2.61	4.63	2.52

















# 10. Performance Characteristic

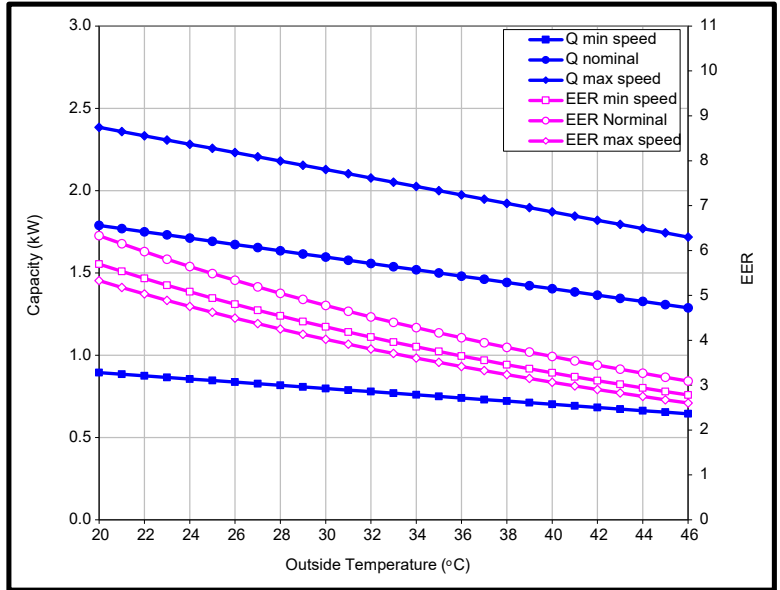
Model : RAS-B05E2KVG-E / RAS-05E2AVG-E

Product specification :

Condition		Capacity (kW)	Power (kW)	EER/COP
Cooling JIS In: 27 °C DB/19 °C WB Out: 35 °C DB/24 °C WB	Min	0.75	0.20	3.75
	Rated	1.50	0.36	4.17
	Max	2.00	0.57	3.51
Heating JIS In: 20 °C DB/15 °C WB Out: 7 °C DB/6 °C WB	Min	0.80	0.16	5.00
	Rated	2.00	0.47	4.26
	Max	3.00	0.85	3.53
Heating Low Temp. In: 20 °C DB/15 °C WB Out: 2 °C DB/1 °C WB	Max	1.70	0.80	2.13

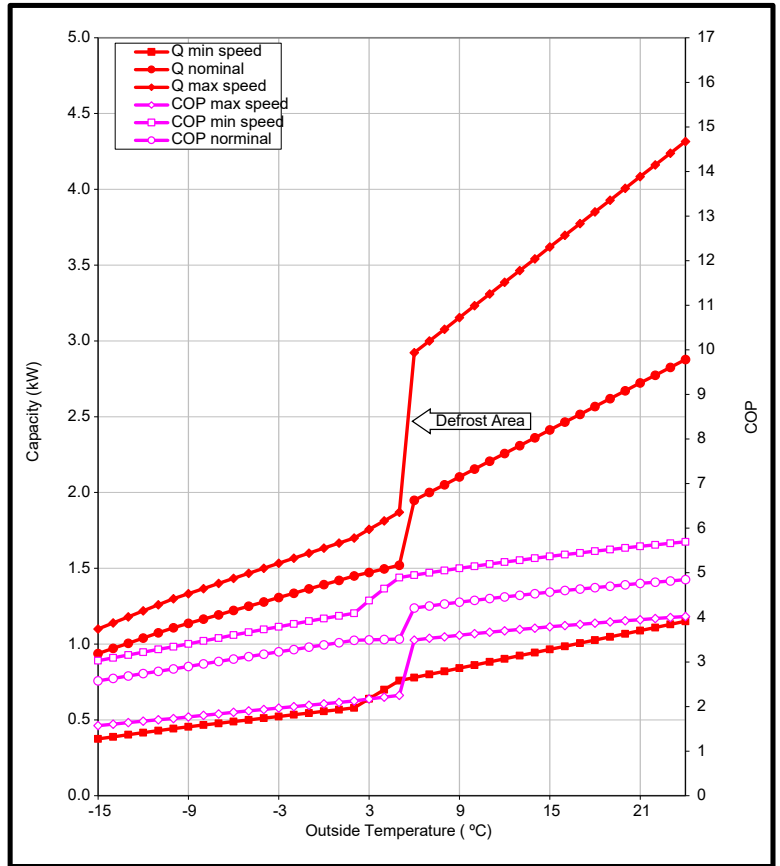
Cooling performance characteristic :

Outside Temp (°C)	Min capacity			Nominal capacity			Max capacity		
	Capacity (kW)	Power (kW)	EER (-)	Capacity (kW)	Power (kW)	EER (-)	Capacity (kW)	Power (kW)	EER (-)
20	0.89	0.16	5.70	1.79	0.28	6.33	2.39	0.45	5.33
21	0.88	0.16	5.53	1.77	0.29	6.15	2.36	0.46	5.18
22	0.88	0.16	5.38	1.75	0.29	5.98	2.33	0.46	5.03
23	0.87	0.17	5.23	1.73	0.30	5.81	2.31	0.47	4.89
24	0.86	0.17	5.08	1.71	0.30	5.64	2.28	0.48	4.75
25	0.85	0.17	4.94	1.69	0.31	5.49	2.26	0.49	4.62
26	0.84	0.17	4.80	1.67	0.31	5.34	2.23	0.50	4.49
27	0.83	0.18	4.67	1.65	0.32	5.19	2.21	0.50	4.37
28	0.82	0.18	4.54	1.63	0.32	5.05	2.18	0.51	4.25
29	0.81	0.18	4.42	1.62	0.33	4.91	2.15	0.52	4.13
30	0.80	0.19	4.30	1.60	0.33	4.78	2.13	0.53	4.02
31	0.79	0.19	4.18	1.58	0.34	4.65	2.10	0.54	3.91
32	0.78	0.19	4.07	1.56	0.34	4.52	2.08	0.55	3.81
33	0.77	0.19	3.96	1.54	0.35	4.40	2.05	0.55	3.71
34	0.76	0.20	3.85	1.52	0.35	4.28	2.03	0.56	3.61
35	0.75	0.20	3.75	1.50	0.36	4.17	2.00	0.57	3.51
36	0.74	0.20	3.65	1.48	0.37	4.06	1.97	0.58	3.41
37	0.73	0.21	3.55	1.46	0.37	3.95	1.95	0.59	3.32
38	0.72	0.21	3.46	1.44	0.38	3.84	1.92	0.59	3.23
39	0.71	0.21	3.36	1.42	0.38	3.74	1.90	0.60	3.15
40	0.70	0.21	3.27	1.40	0.39	3.64	1.87	0.61	3.06
41	0.69	0.22	3.19	1.38	0.39	3.54	1.85	0.62	2.98
42	0.68	0.22	3.10	1.37	0.40	3.45	1.82	0.63	2.90
43	0.67	0.22	3.02	1.35	0.40	3.35	1.79	0.64	2.82
44	0.66	0.23	2.94	1.33	0.41	3.26	1.77	0.64	2.75
45	0.65	0.23	2.86	1.31	0.41	3.18	1.74	0.65	2.68
46	0.64	0.23	2.78	1.29	0.42	3.09	1.72	0.66	2.60



Heating performance characteristic :

Outside Temp (°C)	Min capacity			Nominal capacity			Max capacity		
	Capacity (kW)	Power (kW)	COP (-)	Capacity (kW)	Power (kW)	COP (-)	Capacity (kW)	Power (kW)	COP (-)
-15	0.38	0.12	3.03	0.94	0.36	2.58	1.10	0.70	1.57
-14	0.39	0.13	3.09	0.97	0.37	2.63	1.14	0.71	1.61
-13	0.40	0.13	3.16	1.01	0.37	2.69	1.18	0.72	1.64
-12	0.42	0.13	3.22	1.04	0.38	2.74	1.22	0.73	1.67
-11	0.43	0.13	3.28	1.07	0.38	2.79	1.26	0.74	1.70
-10	0.44	0.13	3.34	1.11	0.39	2.84	1.30	0.75	1.73
-9	0.45	0.13	3.41	1.14	0.39	2.90	1.33	0.75	1.77
-8	0.47	0.13	3.47	1.17	0.39	2.96	1.37	0.76	1.80
-7	0.48	0.13	3.54	1.19	0.40	3.01	1.40	0.76	1.84
-6	0.49	0.14	3.60	1.22	0.40	3.07	1.43	0.77	1.87
-5	0.50	0.14	3.67	1.25	0.40	3.12	1.47	0.77	1.90
-4	0.51	0.14	3.73	1.28	0.40	3.17	1.50	0.78	1.94
-3	0.52	0.14	3.79	1.31	0.41	3.23	1.53	0.78	1.97
-2	0.53	0.14	3.85	1.34	0.41	3.28	1.57	0.78	2.00
-1	0.55	0.14	3.91	1.36	0.41	3.33	1.60	0.79	2.03
0	0.56	0.14	3.98	1.39	0.41	3.38	1.63	0.79	2.06
1	0.57	0.14	4.03	1.42	0.41	3.43	1.67	0.80	2.09
2	0.58	0.14	4.09	1.45	0.42	3.48	1.70	0.80	2.13
3	0.64	0.15	4.38	1.47	0.42	3.49	1.76	0.81	2.17
4	0.70	0.15	4.64	1.50	0.43	3.50	1.81	0.82	2.21
5	0.76	0.16	4.89	1.52	0.43	3.51	1.87	0.83	2.25
6	0.78	0.16	4.95	1.95	0.46	4.21	2.92	0.84	3.49
7	0.80	0.16	5.00	2.00	0.47	4.26	3.00	0.85	3.53
8	0.82	0.16	5.05	2.05	0.48	4.30	3.08	0.86	3.57
9	0.84	0.16	5.10	2.10	0.48	4.34	3.15	0.88	3.60
10	0.86	0.17	5.15	2.15	0.49	4.38	3.23	0.89	3.63
11	0.88	0.17	5.19	2.21	0.50	4.42	3.31	0.90	3.67
12	0.90	0.17	5.24	2.26	0.51	4.46	3.39	0.92	3.70
13	0.92	0.17	5.28	2.31	0.51	4.50	3.46	0.93	3.73
14	0.94	0.18	5.33	2.36	0.52	4.53	3.54	0.94	3.76
15	0.97	0.18	5.37	2.41	0.53	4.57	3.62	0.96	3.79
16	0.99	0.18	5.41	2.46	0.54	4.60	3.70	0.97	3.82
17	1.01	0.18	5.45	2.52	0.54	4.64	3.77	0.98	3.84
18	1.03	0.19	5.49	2.57	0.55	4.67	3.85	0.99	3.87
19	1.05	0.19	5.52	2.62	0.56	4.70	3.93	1.01	3.90
20	1.07	0.19	5.56	2.67	0.56	4.73	4.01	1.02	3.92
21	1.09	0.19	5.59	2.72	0.57	4.76	4.08	1.03	3.95
22	1.11	0.20	5.63	2.77	0.58	4.79	4.16	1.05	3.97
23	1.13	0.20	5.66	2.83	0.59	4.82	4.24	1.06	4.00
24	1.15	0.20	5.69	2.88	0.59	4.85	4.32	1.07	4.02



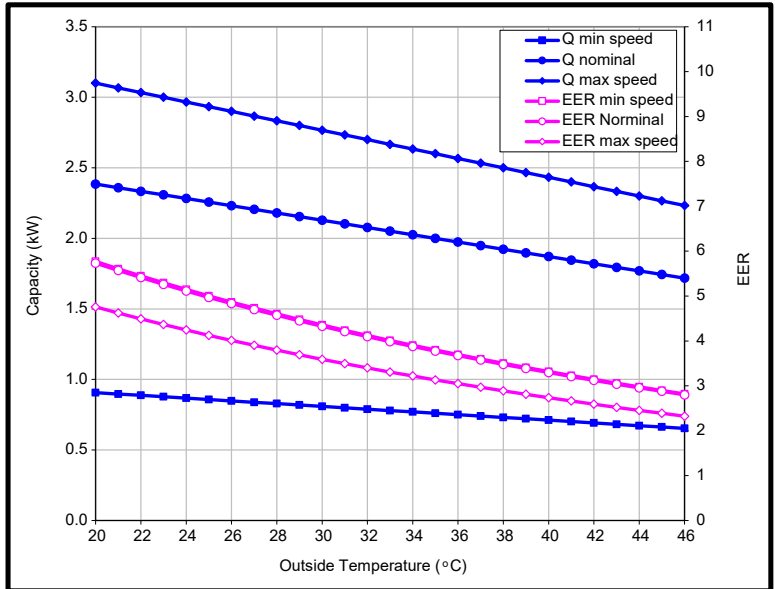
Model : RAS-B07E2KVG-E/RAS-07E2AVG-E

Product specification :

Condition		Capacity (kW)	Power (kW)	EER/COP
Cooling JIS In: 27 °C DB/19 °C WB Out: 35 °C DB/24 °C WB	Min	0.76	0.20	3.80
	Rated	2.00	0.53	3.77
	Max	2.60	0.83	3.13
Heating JIS In: 20 °C DB/15 °C WB Out: 7 °C DB/6 °C WB	Min	0.82	0.16	5.13
	Rated	2.50	0.64	3.91
	Max	3.30	0.94	3.51
Heating Low Temp. In: 20 °C DB/15 °C WB Out: 2 °C DB/1 °C WB	Max	1.90	0.85	2.24

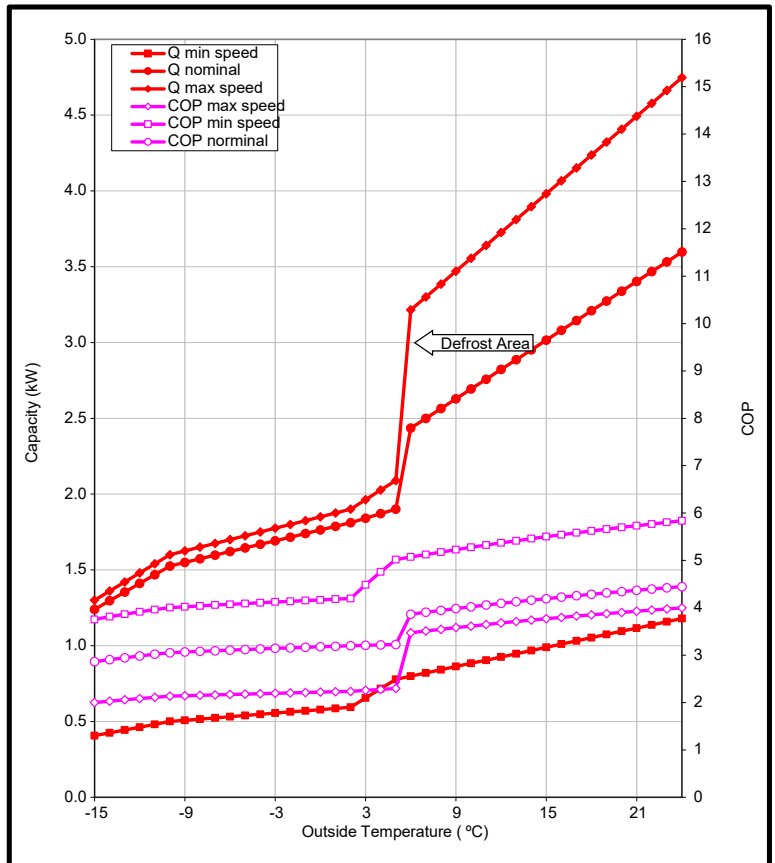
Cooling performance characteristic :

Outside Temp (°C)	Min capacity			Nominal capacity			Max capacity		
	Capacity (kW)	Power (kW)	EER (-)	Capacity (kW)	Power (kW)	EER (-)	Capacity (kW)	Power (kW)	EER (-)
20	0.91	0.16	5.77	2.39	0.42	5.73	3.10	0.65	4.76
21	0.90	0.16	5.61	2.36	0.42	5.57	3.07	0.66	4.62
22	0.89	0.16	5.45	2.33	0.43	5.41	3.03	0.68	4.49
23	0.88	0.17	5.30	2.31	0.44	5.26	3.00	0.69	4.37
24	0.87	0.17	5.15	2.28	0.45	5.11	2.97	0.70	4.24
25	0.86	0.17	5.01	2.26	0.45	4.97	2.93	0.71	4.13
26	0.85	0.17	4.87	2.23	0.46	4.83	2.90	0.72	4.01
27	0.84	0.18	4.73	2.21	0.47	4.70	2.87	0.73	3.90
28	0.83	0.18	4.60	2.18	0.48	4.57	2.83	0.75	3.79
29	0.82	0.18	4.48	2.15	0.48	4.45	2.80	0.76	3.69
30	0.81	0.19	4.36	2.13	0.49	4.33	2.77	0.77	3.59
31	0.80	0.19	4.24	2.10	0.50	4.21	2.73	0.78	3.49
32	0.79	0.19	4.12	2.08	0.51	4.09	2.70	0.79	3.40
33	0.78	0.19	4.01	2.05	0.51	3.98	2.67	0.81	3.31
34	0.77	0.20	3.90	2.03	0.52	3.88	2.63	0.82	3.22
35	0.76	0.20	3.80	2.00	0.53	3.77	2.60	0.83	3.13
36	0.75	0.20	3.70	1.97	0.54	3.67	2.57	0.84	3.05
37	0.74	0.21	3.60	1.95	0.55	3.57	2.53	0.85	2.97
38	0.73	0.21	3.50	1.92	0.55	3.48	2.50	0.87	2.89
39	0.72	0.21	3.41	1.90	0.56	3.39	2.47	0.88	2.81
40	0.71	0.21	3.32	1.87	0.57	3.30	2.43	0.89	2.74
41	0.70	0.22	3.23	1.85	0.58	3.21	2.40	0.90	2.66
42	0.69	0.22	3.14	1.82	0.58	3.12	2.37	0.91	2.59
43	0.68	0.22	3.06	1.79	0.59	3.04	2.33	0.93	2.52
44	0.67	0.23	2.98	1.77	0.60	2.96	2.30	0.94	2.45
45	0.66	0.23	2.90	1.74	0.61	2.88	2.27	0.95	2.39
46	0.65	0.23	2.82	1.72	0.61	2.80	2.23	0.96	2.32



Heating performance characteristic :

Outside Temp (°C)	Min capacity			Nominal capacity			Max capacity		
	Capacity (kW)	Power (kW)	COP (-)	Capacity (kW)	Power (kW)	COP (-)	Capacity (kW)	Power (kW)	COP (-)
-15	0.41	0.11	3.75	1.24	0.43	2.86	1.30	0.65	2.00
-14	0.43	0.11	3.81	1.30	0.45	2.90	1.36	0.67	2.03
-13	0.44	0.11	3.86	1.35	0.46	2.94	1.42	0.69	2.06
-12	0.46	0.12	3.91	1.41	0.47	2.98	1.48	0.71	2.08
-11	0.48	0.12	3.96	1.47	0.49	3.02	1.54	0.73	2.11
-10	0.50	0.12	4.01	1.53	0.50	3.05	1.60	0.75	2.13
-9	0.51	0.13	4.02	1.55	0.51	3.07	1.63	0.76	2.14
-8	0.52	0.13	4.04	1.57	0.51	3.08	1.65	0.77	2.15
-7	0.52	0.13	4.06	1.60	0.52	3.09	1.68	0.78	2.16
-6	0.53	0.13	4.07	1.62	0.52	3.11	1.70	0.78	2.17
-5	0.54	0.13	4.09	1.64	0.53	3.12	1.73	0.79	2.18
-4	0.55	0.13	4.11	1.67	0.53	3.13	1.75	0.80	2.19
-3	0.56	0.13	4.12	1.69	0.54	3.14	1.78	0.81	2.20
-2	0.56	0.14	4.14	1.72	0.54	3.15	1.80	0.82	2.20
-1	0.57	0.14	4.15	1.74	0.55	3.17	1.83	0.83	2.21
0	0.58	0.14	4.17	1.76	0.56	3.18	1.85	0.83	2.22
1	0.59	0.14	4.18	1.79	0.56	3.19	1.88	0.84	2.23
2	0.59	0.14	4.20	1.81	0.57	3.20	1.90	0.85	2.24
3	0.66	0.15	4.49	1.84	0.57	3.21	1.96	0.87	2.26
4	0.72	0.15	4.76	1.87	0.58	3.22	2.03	0.89	2.28
5	0.78	0.16	5.02	1.90	0.59	3.23	2.09	0.91	2.30
6	0.80	0.16	5.07	2.44	0.63	3.87	3.21	0.93	3.47
7	0.82	0.16	5.13	2.50	0.64	3.91	3.30	0.94	3.51
8	0.84	0.16	5.18	2.56	0.65	3.95	3.39	0.95	3.55
9	0.86	0.16	5.23	2.63	0.66	3.98	3.47	0.97	3.58
10	0.88	0.17	5.28	2.69	0.67	4.02	3.56	0.98	3.61
11	0.90	0.17	5.32	2.76	0.68	4.06	3.64	1.00	3.65
12	0.93	0.17	5.37	2.82	0.69	4.09	3.73	1.01	3.68
13	0.95	0.17	5.42	2.89	0.70	4.13	3.81	1.03	3.71
14	0.97	0.18	5.46	2.95	0.71	4.16	3.90	1.04	3.74
15	0.99	0.18	5.50	3.02	0.72	4.19	3.98	1.06	3.77
16	1.01	0.18	5.54	3.08	0.73	4.22	4.07	1.07	3.80
17	1.03	0.18	5.58	3.15	0.74	4.26	4.15	1.09	3.82
18	1.05	0.19	5.62	3.21	0.75	4.29	4.24	1.10	3.85
19	1.07	0.19	5.66	3.27	0.76	4.31	4.32	1.11	3.88
20	1.10	0.19	5.70	3.34	0.77	4.34	4.41	1.13	3.90
21	1.12	0.19	5.73	3.40	0.78	4.37	4.49	1.14	3.93
22	1.14	0.20	5.77	3.47	0.79	4.40	4.58	1.16	3.95
23	1.16	0.20	5.80	3.53	0.80	4.42	4.66	1.17	3.98
24	1.18	0.20	5.84	3.60	0.81	4.45	4.75	1.19	4.00





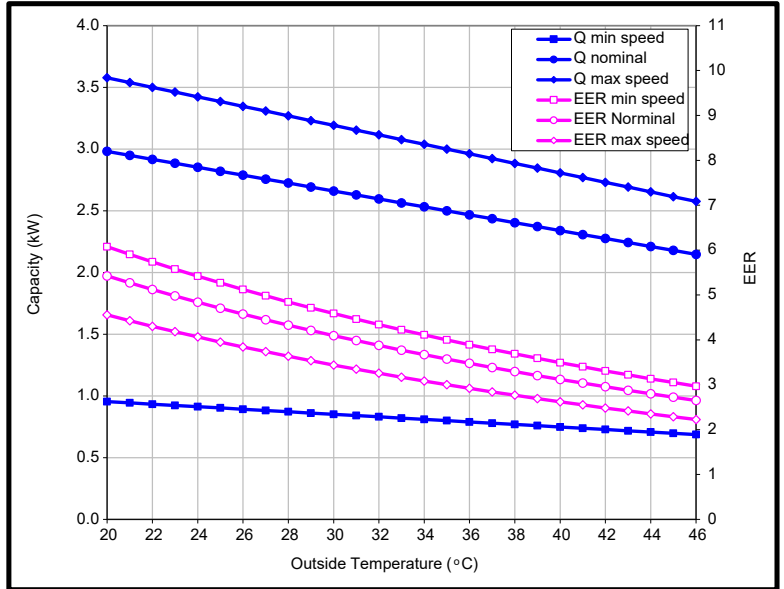
**Model : RAS-B10E2KVG-E/RAS-10E2AVG-E**

Product specification :

Condition		Capacity (kW)	Power (kW)	EER/COP	
Cooling JIS In: 27 °C DB/19 °C WB Out: 35 °C DB/24 °C WB	Min	0.80	0.20	4.00	
	Rated	2.50	0.70	3.57	
	Max	3.00	1.00	3.00	
Heating JIS In: 20 °C DB/15 °C WB Out: 7 °C DB/6 °C WB	Min	0.95	0.18	5.28	
	Rated	3.20	0.86	3.72	
	Max	3.90	1.11	3.51	
Heating Low Temp. In: 20 °C DB/15 °C WB Out: 2 °C DB/1 °C WB		Max	2.50	1.00	2.50

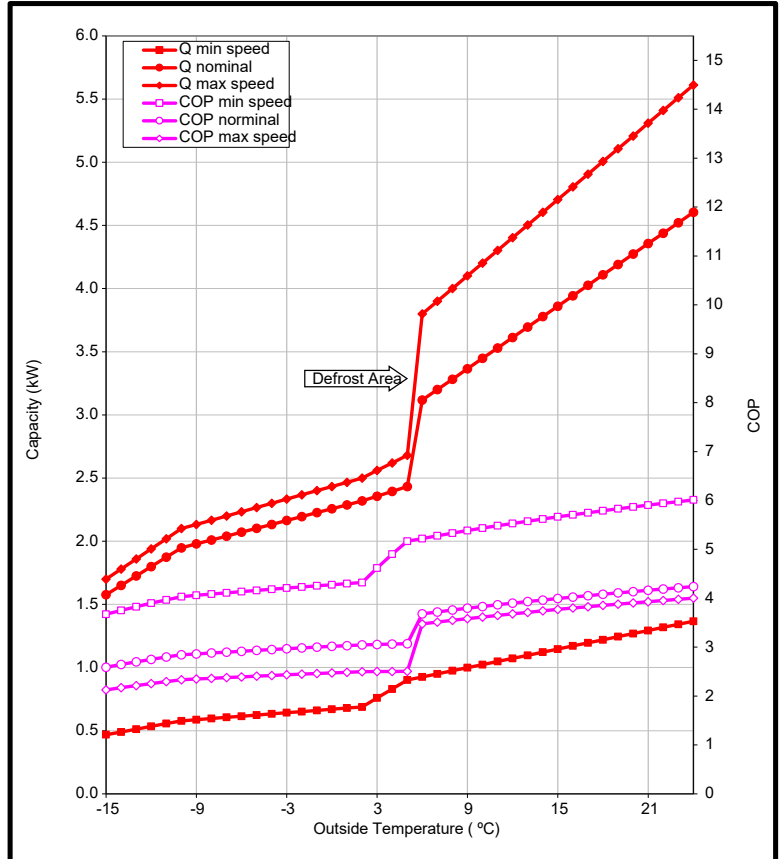
Cooling performance characteristic :

Outside Temp (°C)	Min capacity			Nominal capacity			Max capacity		
	Capacity (kW)	Power (kW)	EER (-)	Capacity (kW)	Power (kW)	EER (-)	Capacity (kW)	Power (kW)	EER (-)
20	0.95	0.16	6.08	2.98	0.55	5.43	3.58	0.79	4.56
21	0.94	0.16	5.90	2.95	0.56	5.27	3.54	0.80	4.43
22	0.93	0.16	5.74	2.92	0.57	5.12	3.50	0.81	4.30
23	0.92	0.17	5.57	2.89	0.58	4.98	3.46	0.83	4.18
24	0.91	0.17	5.42	2.85	0.59	4.84	3.42	0.84	4.06
25	0.90	0.17	5.27	2.82	0.60	4.70	3.39	0.86	3.95
26	0.89	0.17	5.12	2.79	0.61	4.57	3.35	0.87	3.84
27	0.88	0.18	4.98	2.76	0.62	4.45	3.31	0.89	3.74
28	0.87	0.18	4.85	2.72	0.63	4.33	3.27	0.90	3.63
29	0.86	0.18	4.71	2.69	0.64	4.21	3.23	0.91	3.54
30	0.85	0.19	4.59	2.66	0.65	4.09	3.19	0.93	3.44
31	0.84	0.19	4.46	2.63	0.66	3.98	3.15	0.94	3.35
32	0.83	0.19	4.34	2.60	0.67	3.88	3.12	0.96	3.26
33	0.82	0.19	4.22	2.56	0.68	3.77	3.08	0.97	3.17
34	0.81	0.20	4.11	2.53	0.69	3.67	3.04	0.99	3.08
35	0.80	0.20	4.00	2.50	0.70	3.57	3.00	1.00	3.00
36	0.79	0.20	3.89	2.47	0.71	3.48	2.96	1.01	2.92
37	0.78	0.21	3.79	2.44	0.72	3.38	2.92	1.03	2.84
38	0.77	0.21	3.69	2.40	0.73	3.29	2.88	1.04	2.77
39	0.76	0.21	3.59	2.37	0.74	3.20	2.85	1.06	2.69
40	0.75	0.21	3.49	2.34	0.75	3.12	2.81	1.07	2.62
41	0.74	0.22	3.40	2.31	0.76	3.04	2.77	1.09	2.55
42	0.73	0.22	3.31	2.28	0.77	2.95	2.73	1.10	2.48
43	0.72	0.22	3.22	2.24	0.78	2.88	2.69	1.11	2.42
44	0.71	0.23	3.13	2.21	0.79	2.80	2.65	1.13	2.35
45	0.70	0.23	3.05	2.18	0.80	2.72	2.62	1.14	2.29
46	0.69	0.23	2.97	2.15	0.81	2.65	2.58	1.16	2.23



Heating performance characteristic :

Outside Temp (°C)	Min capacity			Nominal capacity			Max capacity		
	Capacity (kW)	Power (kW)	COP (-)	Capacity (kW)	Power (kW)	COP (-)	Capacity (kW)	Power (kW)	COP (-)
-15	0.47	0.13	3.67	1.58	0.61	2.59	1.70	0.80	2.13
-14	0.49	0.13	3.75	1.65	0.62	2.65	1.78	0.82	2.17
-13	0.51	0.13	3.83	1.73	0.64	2.70	1.86	0.84	2.21
-12	0.53	0.14	3.90	1.80	0.65	2.75	1.94	0.86	2.26
-11	0.56	0.14	3.97	1.87	0.67	2.80	2.02	0.88	2.30
-10	0.58	0.14	4.03	1.95	0.68	2.84	2.10	0.90	2.33
-9	0.59	0.14	4.06	1.98	0.69	2.86	2.13	0.91	2.35
-8	0.60	0.15	4.09	2.01	0.70	2.88	2.17	0.92	2.36
-7	0.61	0.15	4.11	2.04	0.70	2.90	2.20	0.93	2.38
-6	0.61	0.15	4.14	2.07	0.71	2.92	2.23	0.93	2.39
-5	0.62	0.15	4.16	2.10	0.72	2.93	2.27	0.94	2.41
-4	0.63	0.15	4.19	2.13	0.72	2.95	2.30	0.95	2.42
-3	0.64	0.15	4.21	2.16	0.73	2.97	2.33	0.96	2.43
-2	0.65	0.15	4.23	2.20	0.74	2.98	2.37	0.97	2.45
-1	0.66	0.16	4.26	2.23	0.74	3.00	2.40	0.98	2.46
0	0.67	0.16	4.28	2.26	0.75	3.02	2.43	0.98	2.47
1	0.68	0.16	4.30	2.29	0.75	3.03	2.47	0.99	2.49
2	0.69	0.16	4.32	2.32	0.76	3.05	2.50	1.00	2.50
3	0.76	0.16	4.62	2.36	0.77	3.06	2.56	1.02	2.50
4	0.83	0.17	4.90	2.39	0.78	3.06	2.62	1.05	2.50
5	0.90	0.17	5.17	2.43	0.79	3.07	2.68	1.07	2.50
6	0.93	0.18	5.22	3.12	0.85	3.68	3.80	1.09	3.48
7	0.95	0.18	5.28	3.20	0.86	3.72	3.90	1.11	3.51
8	0.97	0.18	5.33	3.28	0.87	3.76	4.00	1.13	3.55
9	1.00	0.19	5.38	3.37	0.89	3.80	4.10	1.14	3.58
10	1.02	0.19	5.43	3.45	0.90	3.83	4.20	1.16	3.62
11	1.05	0.19	5.48	3.53	0.91	3.87	4.30	1.18	3.65
12	1.07	0.19	5.53	3.61	0.93	3.90	4.40	1.20	3.68
13	1.10	0.20	5.58	3.70	0.94	3.93	4.50	1.21	3.71
14	1.12	0.20	5.62	3.78	0.95	3.96	4.60	1.23	3.74
15	1.15	0.20	5.67	3.86	0.97	3.99	4.71	1.25	3.77
16	1.17	0.21	5.71	3.94	0.98	4.02	4.81	1.26	3.80
17	1.20	0.21	5.75	4.03	0.99	4.05	4.91	1.28	3.83
18	1.22	0.21	5.79	4.11	1.01	4.08	5.01	1.30	3.85
19	1.24	0.21	5.83	4.19	1.02	4.11	5.11	1.32	3.88
20	1.27	0.22	5.87	4.27	1.03	4.14	5.21	1.33	3.91
21	1.29	0.22	5.90	4.36	1.05	4.16	5.31	1.35	3.93
22	1.32	0.22	5.94	4.44	1.06	4.19	5.41	1.37	3.96
23	1.34	0.22	5.98	4.52	1.07	4.21	5.51	1.38	3.98
24	1.37	0.23	6.01	4.60	1.09	4.24	5.61	1.40	4.00



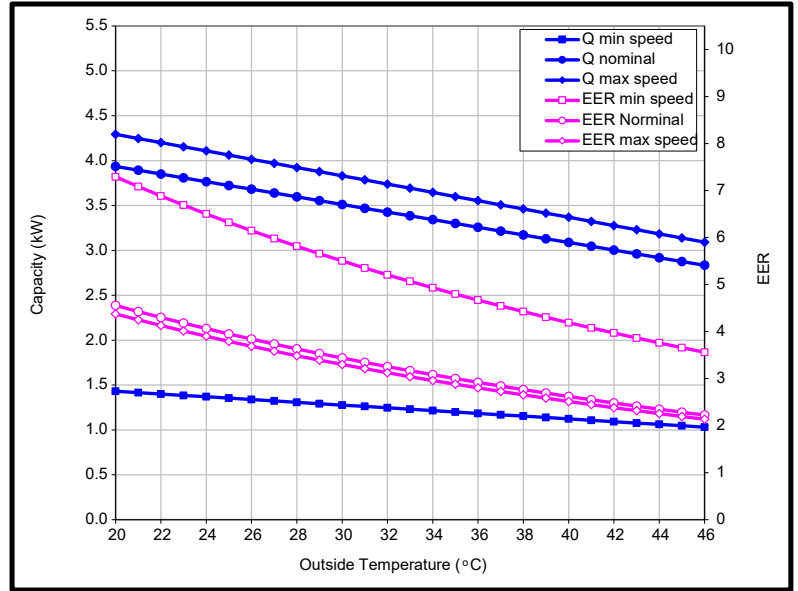
Model : RAS-B13E2KVG-E/RAS-13E2AVG-E

Product specification :

Condition		Capacity (kW)	Power (kW)	EER/COP	
Cooling JIS In: 27 °C DB/19°C WB Out: 35 °C DB/24°C WB	Min	1.20	0.25	4.80	
	Rated	3.30	1.10	3.00	
	Max	3.60	1.25	2.88	
Heating JIS In: 20 °C DB/15°C WB Out: 7 °C DB/6°C WB	Min	0.97	0.18	5.39	
	Rated	3.60	0.92	3.91	
	Max	4.50	1.25	3.60	
Heating Low Temp. In: 20 °C DB/15°C WB Out: 2 °C DB/1°C WB		Max	3.00	1.10	2.73

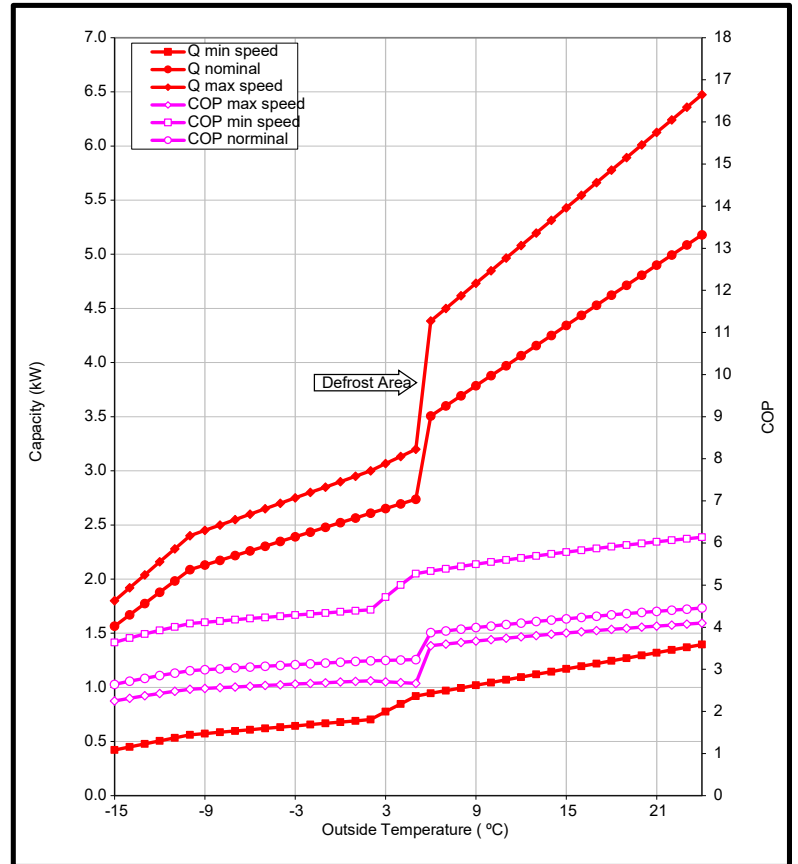
Cooling performance characteristic :

Outside Temp (°C)	Min capacity			Nominal capacity			Max capacity		
	Capacity (kW)	Power (kW)	EER (-)	Capacity (kW)	Power (kW)	EER (-)	Capacity (kW)	Power (kW)	EER (-)
20	1.43	0.20	7.29	3.94	0.86	4.56	4.29	0.98	4.38
21	1.42	0.20	7.08	3.89	0.88	4.43	4.25	1.00	4.25
22	1.40	0.20	6.88	3.85	0.90	4.30	4.20	1.02	4.13
23	1.38	0.21	6.69	3.81	0.91	4.18	4.15	1.04	4.01
24	1.37	0.21	6.50	3.77	0.93	4.06	4.11	1.05	3.90
25	1.35	0.21	6.32	3.72	0.94	3.95	4.06	1.07	3.79
26	1.34	0.22	6.15	3.68	0.96	3.84	4.02	1.09	3.69
27	1.32	0.22	5.98	3.64	0.97	3.74	3.97	1.11	3.59
28	1.31	0.22	5.81	3.60	0.99	3.63	3.92	1.12	3.49
29	1.29	0.23	5.66	3.55	1.01	3.54	3.88	1.14	3.39
30	1.28	0.23	5.50	3.51	1.02	3.44	3.83	1.16	3.30
31	1.26	0.24	5.35	3.47	1.04	3.35	3.78	1.18	3.21
32	1.25	0.24	5.21	3.43	1.05	3.26	3.74	1.20	3.13
33	1.23	0.24	5.07	3.38	1.07	3.17	3.69	1.21	3.04
34	1.22	0.25	4.93	3.34	1.08	3.08	3.65	1.23	2.96
35	1.20	0.25	4.80	3.30	1.10	3.00	3.60	1.25	2.88
36	1.18	0.25	4.67	3.26	1.12	2.92	3.55	1.27	2.80
37	1.17	0.26	4.55	3.22	1.13	2.84	3.51	1.29	2.73
38	1.15	0.26	4.42	3.17	1.15	2.77	3.46	1.30	2.65
39	1.14	0.26	4.31	3.13	1.16	2.69	3.42	1.32	2.58
40	1.12	0.27	4.19	3.09	1.18	2.62	3.37	1.34	2.51
41	1.11	0.27	4.08	3.05	1.19	2.55	3.32	1.36	2.45
42	1.09	0.28	3.97	3.00	1.21	2.48	3.28	1.38	2.38
43	1.08	0.28	3.86	2.96	1.23	2.42	3.23	1.39	2.32
44	1.06	0.28	3.76	2.92	1.24	2.35	3.18	1.41	2.26
45	1.05	0.29	3.66	2.88	1.26	2.29	3.14	1.43	2.20
46	1.03	0.29	3.56	2.83	1.27	2.23	3.09	1.45	2.14



Heating performance characteristic :

Outside Temp (°C)	Min capacity			Nominal capacity			Max capacity		
	Capacity (kW)	Power (kW)	COP (-)	Capacity (kW)	Power (kW)	COP (-)	Capacity (kW)	Power (kW)	COP (-)
-15	0.42	0.12	3.64	1.57	0.59	2.64	1.80	0.80	2.25
-14	0.45	0.12	3.74	1.67	0.61	2.72	1.92	0.83	2.31
-13	0.48	0.12	3.84	1.77	0.64	2.79	2.04	0.86	2.37
-12	0.51	0.13	3.93	1.88	0.66	2.85	2.16	0.89	2.43
-11	0.53	0.13	4.01	1.98	0.68	2.91	2.28	0.92	2.48
-10	0.56	0.14	4.09	2.09	0.70	2.97	2.40	0.95	2.53
-9	0.57	0.14	4.12	2.13	0.71	2.99	2.45	0.96	2.55
-8	0.59	0.14	4.15	2.17	0.72	3.01	2.50	0.98	2.56
-7	0.60	0.14	4.18	2.22	0.73	3.03	2.55	0.99	2.58
-6	0.61	0.14	4.21	2.26	0.74	3.05	2.60	1.00	2.60
-5	0.62	0.15	4.23	2.30	0.75	3.07	2.65	1.01	2.62
-4	0.63	0.15	4.26	2.35	0.76	3.09	2.70	1.03	2.63
-3	0.64	0.15	4.29	2.39	0.77	3.11	2.75	1.04	2.65
-2	0.66	0.15	4.31	2.43	0.78	3.13	2.80	1.05	2.67
-1	0.67	0.15	4.34	2.48	0.79	3.15	2.85	1.06	2.68
0	0.68	0.16	4.36	2.52	0.80	3.17	2.90	1.08	2.70
1	0.69	0.16	4.39	2.57	0.80	3.19	2.95	1.09	2.71
2	0.70	0.16	4.41	2.61	0.81	3.20	3.00	1.10	2.73
3	0.78	0.16	4.72	2.65	0.83	3.21	3.07	1.13	2.71
4	0.85	0.17	5.00	2.69	0.84	3.22	3.13	1.17	2.69
5	0.92	0.17	5.27	2.74	0.85	3.23	3.20	1.20	2.67
6	0.94	0.18	5.33	3.51	0.91	3.87	4.38	1.23	3.56
7	0.97	0.18	5.39	3.60	0.92	3.91	4.50	1.25	3.60
8	1.00	0.18	5.44	3.69	0.93	3.95	4.62	1.27	3.64
9	1.02	0.19	5.50	3.79	0.95	3.99	4.73	1.29	3.67
10	1.05	0.19	5.55	3.88	0.96	4.03	4.85	1.31	3.71
11	1.07	0.19	5.60	3.97	0.98	4.07	4.96	1.33	3.74
12	1.10	0.19	5.65	4.06	0.99	4.10	5.08	1.35	3.77
13	1.12	0.20	5.69	4.16	1.01	4.13	5.20	1.37	3.80
14	1.15	0.20	5.74	4.25	1.02	4.17	5.31	1.39	3.83
15	1.17	0.20	5.78	4.34	1.03	4.20	5.43	1.40	3.86
16	1.20	0.21	5.83	4.44	1.05	4.23	5.55	1.42	3.89
17	1.22	0.21	5.87	4.53	1.06	4.26	5.66	1.44	3.92
18	1.25	0.21	5.91	4.62	1.08	4.29	5.78	1.46	3.95
19	1.27	0.21	5.95	4.71	1.09	4.32	5.89	1.48	3.98
20	1.30	0.22	5.99	4.81	1.11	4.35	6.01	1.50	4.00
21	1.32	0.22	6.03	4.90	1.12	4.38	6.13	1.52	4.03
22	1.35	0.22	6.07	4.99	1.13	4.40	6.24	1.54	4.05
23	1.37	0.22	6.10	5.09	1.15	4.43	6.36	1.56	4.08
24	1.40	0.23	6.14	5.18	1.16	4.46	6.47	1.58	4.10



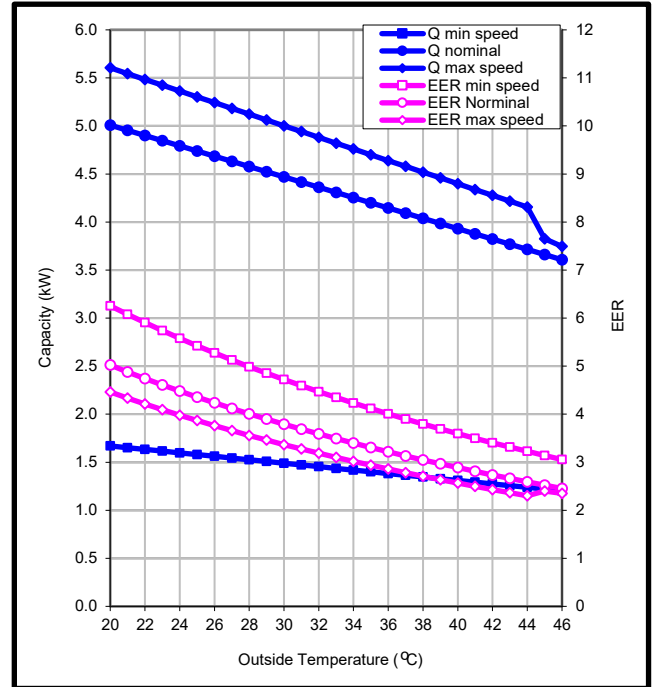
Model : RAS-B16E2KVG-E/RAS-16E2AVG-E

Product specification :

Condition		Capacity (kW)	Power (kW)	EER/COP
Cooling JIS In: 27 °C DB/19°C WB Out: 35°C DB/24°C WB	Min	1.40	0.34	4.12
	Rated	4.20	1.27	3.31
	Max	4.70	1.60	2.94
Heating JIS In: 20 °C DB/15°C WB Out: 7°C DB/6°C WB	Min	1.30	0.24	5.42
	Rated	5.00	1.34	3.73
	Max	6.00	1.70	3.53

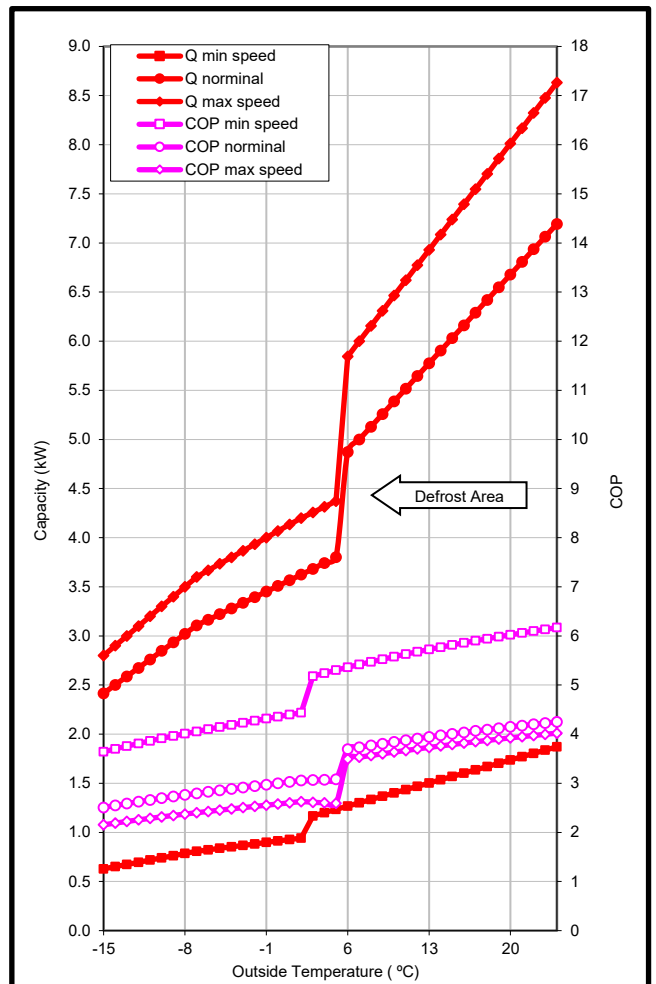
Cooling performance characteristic :

Outside Temp (°C)	Min capacity			Nominal capacity			Max capacity		
	Capacity (kW)	Power (kW)	EER (-)	Capacity (kW)	Power (kW)	EER (-)	Capacity (kW)	Power (kW)	EER (-)
20	1.67	0.27	6.26	5.01	1.00	5.02	5.60	1.26	4.46
21	1.65	0.27	6.08	4.95	1.02	4.88	5.54	1.28	4.34
22	1.63	0.28	5.90	4.90	1.03	4.74	5.48	1.30	4.21
23	1.62	0.28	5.74	4.85	1.05	4.61	5.42	1.32	4.09
24	1.60	0.29	5.58	4.79	1.07	4.48	5.36	1.35	3.98
25	1.58	0.29	5.42	4.74	1.09	4.36	5.30	1.37	3.87
26	1.56	0.30	5.27	4.69	1.11	4.24	5.24	1.39	3.76
27	1.54	0.30	5.13	4.63	1.12	4.12	5.18	1.42	3.66
28	1.53	0.31	4.99	4.58	1.14	4.01	5.12	1.44	3.56
29	1.51	0.31	4.85	4.52	1.16	3.90	5.06	1.46	3.46
30	1.49	0.32	4.72	4.47	1.18	3.79	5.00	1.49	3.37
31	1.47	0.32	4.59	4.42	1.20	3.69	4.94	1.51	3.28
32	1.45	0.33	4.47	4.36	1.22	3.59	4.88	1.53	3.19
33	1.44	0.33	4.35	4.31	1.23	3.49	4.82	1.55	3.10
34	1.42	0.34	4.23	4.25	1.25	3.40	4.76	1.58	3.02
35	1.40	0.34	4.12	4.20	1.27	3.31	4.70	1.60	2.94
36	1.38	0.34	4.01	4.15	1.29	3.22	4.64	1.62	2.86
37	1.36	0.35	3.90	4.09	1.31	3.13	4.58	1.65	2.78
38	1.35	0.35	3.80	4.04	1.32	3.05	4.52	1.67	2.71
39	1.33	0.36	3.69	3.98	1.34	2.97	4.46	1.69	2.64
40	1.31	0.36	3.60	3.93	1.36	2.89	4.40	1.71	2.57
41	1.29	0.37	3.50	3.88	1.38	2.81	4.34	1.74	2.50
42	1.27	0.37	3.41	3.82	1.40	2.74	4.28	1.76	2.43
43	1.26	0.38	3.31	3.77	1.42	2.66	4.22	1.78	2.36
44	1.24	0.38	3.23	3.71	1.43	2.59	4.16	1.81	2.30
45	1.22	0.39	3.14	3.66	1.45	2.52	4.10	1.84	2.24
46	1.20	0.39	3.05	3.61	1.47	2.45	4.04	1.87	2.18



Heating performance characteristic :

Outside Temp (°C)	Min capacity			Nominal capacity			Max capacity		
	Capacity (kW)	Power (kW)	COP (-)	Capacity (kW)	Power (kW)	COP (-)	Capacity (kW)	Power (kW)	COP (-)
-15	0.63	0.17	3.64	2.42	0.96	2.51	2.80	1.30	2.15
-14	0.65	0.18	3.70	2.50	0.98	2.55	2.90	1.33	2.19
-13	0.67	0.18	3.75	2.59	1.00	2.59	3.00	1.35	2.22
-12	0.70	0.18	3.81	2.67	1.02	2.62	3.10	1.38	2.25
-11	0.72	0.19	3.86	2.76	1.04	2.66	3.20	1.40	2.29
-10	0.74	0.19	3.91	2.85	1.06	2.70	3.30	1.43	2.32
-9	0.76	0.19	3.96	2.93	1.07	2.73	3.40	1.45	2.34
-8	0.79	0.20	4.01	3.02	1.09	2.76	3.50	1.48	2.37
-7	0.81	0.20	4.06	3.11	1.11	2.79	3.60	1.50	2.40
-6	0.82	0.20	4.10	3.16	1.12	2.82	3.67	1.51	2.43
-5	0.84	0.20	4.14	3.22	1.13	2.85	3.73	1.52	2.45
-4	0.85	0.20	4.19	3.28	1.14	2.88	3.80	1.53	2.48
-3	0.87	0.21	4.23	3.34	1.14	2.91	3.87	1.54	2.50
-2	0.88	0.21	4.27	3.39	1.15	2.94	3.93	1.56	2.53
-1	0.90	0.21	4.31	3.45	1.16	2.97	4.00	1.57	2.55
0	0.91	0.21	4.36	3.51	1.17	3.00	4.07	1.58	2.58
1	0.93	0.21	4.40	3.57	1.18	3.03	4.13	1.59	2.60
2	0.94	0.21	4.44	3.62	1.19	3.06	4.20	1.60	2.63
3	1.17	0.23	5.18	3.68	1.20	3.06	4.26	1.63	2.61
4	1.20	0.23	5.24	3.74	1.22	3.07	4.31	1.66	2.60
5	1.23	0.23	5.30	3.80	1.23	3.08	4.37	1.69	2.59
6	1.27	0.24	5.36	4.87	1.32	3.69	5.85	1.67	3.49
7	1.30	0.24	5.42	5.00	1.34	3.73	6.00	1.70	3.53
8	1.33	0.24	5.47	5.13	1.36	3.77	6.15	1.73	3.57
9	1.37	0.25	5.53	5.26	1.38	3.81	6.31	1.75	3.60
10	1.40	0.25	5.58	5.39	1.40	3.84	6.46	1.78	3.63
11	1.43	0.25	5.63	5.52	1.42	3.88	6.62	1.81	3.67
12	1.47	0.26	5.68	5.65	1.44	3.91	6.77	1.83	3.70
13	1.50	0.26	5.72	5.77	1.46	3.94	6.93	1.86	3.73
14	1.53	0.27	5.77	5.90	1.49	3.97	7.08	1.88	3.76
15	1.57	0.27	5.81	6.03	1.51	4.01	7.24	1.91	3.79
16	1.60	0.27	5.86	6.16	1.53	4.04	7.39	1.94	3.82
17	1.64	0.28	5.90	6.29	1.55	4.06	7.55	1.96	3.84
18	1.67	0.28	5.94	6.42	1.57	4.09	7.70	1.99	3.87
19	1.70	0.28	5.98	6.55	1.59	4.12	7.86	2.02	3.90
20	1.74	0.29	6.02	6.68	1.61	4.15	8.01	2.04	3.92
21	1.77	0.29	6.06	6.81	1.63	4.17	8.17	2.07	3.95
22	1.80	0.30	6.10	6.94	1.65	4.20	8.32	2.09	3.97
23	1.84	0.30	6.13	7.06	1.67	4.23	8.48	2.12	4.00
24	1.87	0.30	6.17	7.19	1.69	4.25	8.63	2.15	4.02



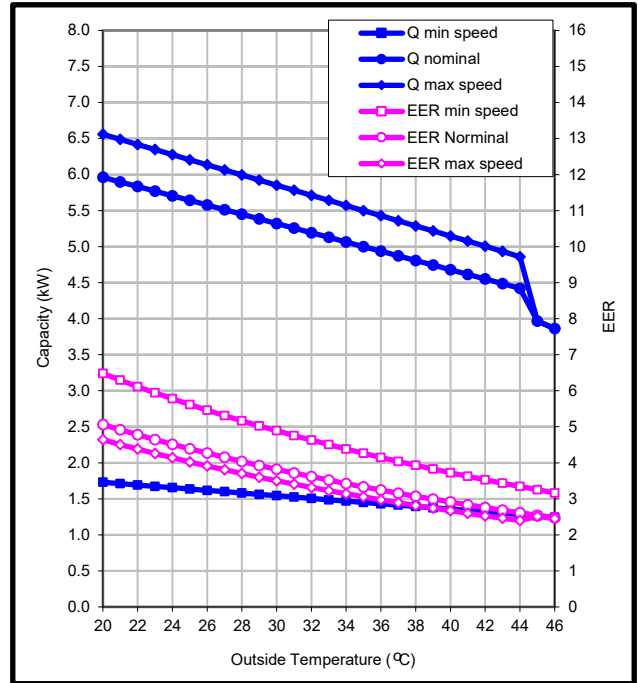
Model : RAS-18E2KVG-E / RAS-18E2AVG-E

Product specification :

Condition		Capacity (kW)	Power (kW)	EER/COP
Cooling JIS In: 27°C DB/19°C WB Out: 35°C DB/24°C WB	Min	1.45	0.34	4.26
	Rated	5.00	1.50	3.33
	Max	5.50	1.80	3.06
Heating JIS In: 20°C DB/15°C WB Out: 7°C DB/6°C WB	Min	1.35	0.26	5.19
	Rated	5.40	1.50	3.60
	Max	6.00	1.80	3.33

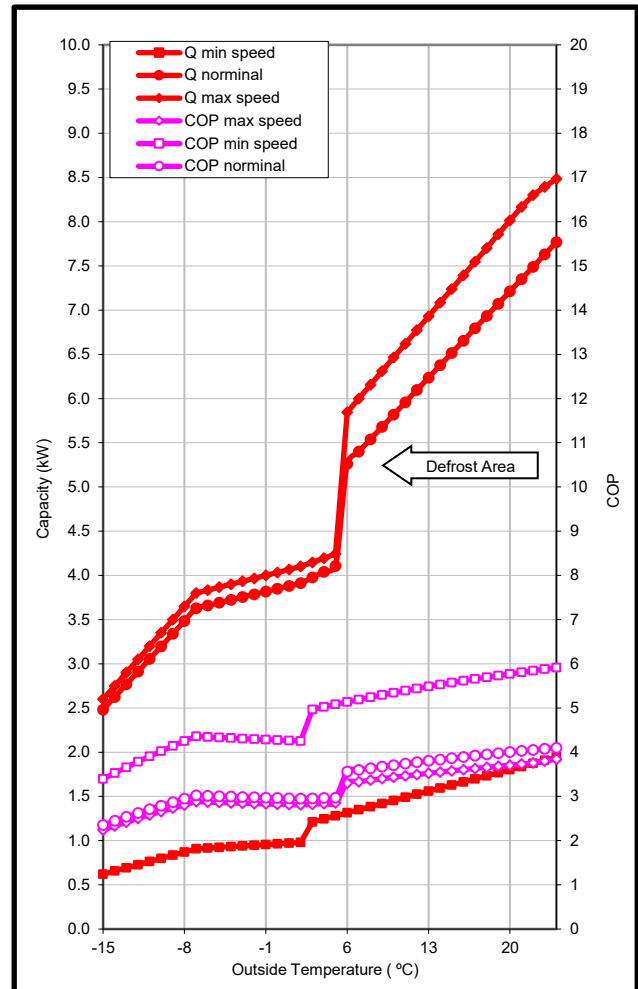
Cooling performance characteristic :

Outside Temp (°C)	Min capacity			Nominal capacity			Max capacity		
	Capacity (kW)	Power (kW)	EER (-)	Capacity (kW)	Power (kW)	EER (-)	Capacity (kW)	Power (kW)	EER (-)
20	1.73	0.27	6.48	5.96	1.18	5.06	6.56	1.41	4.64
21	1.71	0.27	6.29	5.90	1.20	4.92	6.49	1.44	4.51
22	1.69	0.28	6.12	5.83	1.22	4.78	6.42	1.46	4.38
23	1.67	0.28	5.94	5.77	1.24	4.65	6.35	1.49	4.26
24	1.65	0.29	5.78	5.71	1.26	4.52	6.28	1.52	4.14
25	1.64	0.29	5.62	5.64	1.29	4.39	6.21	1.54	4.02
26	1.62	0.30	5.46	5.58	1.31	4.27	6.14	1.57	3.91
27	1.60	0.30	5.31	5.51	1.33	4.15	6.06	1.59	3.81
28	1.58	0.31	5.17	5.45	1.35	4.04	5.99	1.62	3.70
29	1.56	0.31	5.03	5.39	1.37	3.93	5.92	1.65	3.60
30	1.54	0.32	4.89	5.32	1.39	3.82	5.85	1.67	3.50
31	1.52	0.32	4.76	5.26	1.41	3.72	5.78	1.70	3.41
32	1.51	0.33	4.63	5.19	1.44	3.62	5.71	1.72	3.32
33	1.49	0.33	4.50	5.13	1.46	3.52	5.64	1.75	3.23
34	1.47	0.34	4.38	5.06	1.48	3.43	5.57	1.77	3.14
35	1.45	0.34	4.26	5.00	1.50	3.33	5.50	1.80	3.06
36	1.43	0.34	4.15	4.94	1.52	3.24	5.43	1.83	2.97
37	1.41	0.35	4.04	4.87	1.54	3.16	5.36	1.85	2.89
38	1.39	0.35	3.93	4.81	1.56	3.07	5.29	1.88	2.82
39	1.38	0.36	3.83	4.74	1.59	2.99	5.22	1.90	2.74
40	1.36	0.36	3.72	4.68	1.61	2.91	5.15	1.93	2.67
41	1.34	0.37	3.62	4.62	1.63	2.83	5.08	1.95	2.60
42	1.32	0.37	3.53	4.55	1.65	2.76	5.01	1.98	2.53
43	1.30	0.38	3.43	4.49	1.67	2.68	4.94	2.01	2.46
44	1.28	0.38	3.34	4.42	1.69	2.61	4.86	2.03	2.40
45	1.26	0.39	3.25	4.35	1.72	2.54	4.78	2.06	2.34
46	1.25	0.39	3.16	4.28	1.75	2.47	4.70	2.09	2.28



Heating performance characteristic :

Outside Temp (°C)	Min capacity			Nominal capacity			Max capacity		
	Capacity (kW)	Power (kW)	COP (-)	Capacity (kW)	Power (kW)	COP (-)	Capacity (kW)	Power (kW)	COP (-)
-15	0.62	0.18	3.39	2.48	1.05	2.35	2.60	1.16	2.24
-14	0.66	0.19	3.53	2.62	1.07	2.45	2.75	1.18	2.33
-13	0.69	0.19	3.66	2.77	1.09	2.54	2.90	1.20	2.42
-12	0.73	0.19	3.79	2.91	1.11	2.62	3.05	1.22	2.50
-11	0.76	0.20	3.91	3.05	1.13	2.71	3.20	1.24	2.58
-10	0.80	0.20	4.03	3.20	1.15	2.79	3.35	1.26	2.66
-9	0.84	0.20	4.14	3.34	1.16	2.87	3.50	1.28	2.73
-8	0.87	0.20	4.25	3.48	1.18	2.95	3.65	1.30	2.81
-7	0.91	0.21	4.36	3.63	1.20	3.02	3.80	1.32	2.88
-6	0.91	0.21	4.35	3.66	1.21	3.01	3.83	1.34	2.87
-5	0.92	0.21	4.33	3.69	1.23	3.00	3.87	1.35	2.86
-4	0.93	0.22	4.32	3.72	1.24	3.00	3.90	1.37	2.85
-3	0.94	0.22	4.31	3.75	1.26	2.99	3.93	1.38	2.85
-2	0.95	0.22	4.30	3.79	1.27	2.98	3.97	1.40	2.84
-1	0.95	0.22	4.28	3.82	1.29	2.97	4.00	1.41	2.83
0	0.96	0.23	4.27	3.85	1.30	2.96	4.03	1.43	2.82
1	0.97	0.23	4.26	3.88	1.31	2.96	4.07	1.44	2.82
2	0.98	0.23	4.25	3.91	1.33	2.95	4.10	1.46	2.81
3	1.21	0.24	4.96	3.98	1.35	2.96	4.15	1.47	2.82
4	1.25	0.25	5.02	4.04	1.36	2.96	4.20	1.48	2.84
5	1.28	0.25	5.08	4.11	1.38	2.97	4.24	1.49	2.85
6	1.32	0.26	5.14	4.18	1.40	2.98	4.29	1.50	2.86
7	1.35	0.26	5.19	4.26	1.42	2.99	4.34	1.51	2.87
8	1.38	0.26	5.25	4.34	1.44	3.00	4.39	1.52	2.88
9	1.42	0.27	5.30	4.42	1.46	3.01	4.44	1.53	2.89
10	1.45	0.27	5.35	4.50	1.48	3.02	4.49	1.54	2.90
11	1.49	0.28	5.39	4.58	1.50	3.03	4.54	1.55	2.91
12	1.52	0.28	5.44	4.66	1.52	3.04	4.59	1.56	2.92
13	1.56	0.28	5.49	4.74	1.54	3.05	4.64	1.57	2.93
14	1.59	0.29	5.53	4.82	1.56	3.06	4.69	1.58	2.94
15	1.63	0.29	5.57	4.90	1.58	3.07	4.74	1.59	2.95
16	1.66	0.30	5.62	4.98	1.60	3.08	4.79	1.60	2.96
17	1.70	0.30	5.66	5.06	1.62	3.09	4.84	1.61	2.97
18	1.73	0.30	5.70	5.14	1.64	3.10	4.89	1.62	2.98
19	1.77	0.31	5.73	5.22	1.66	3.11	4.94	1.63	2.99
20	1.80	0.31	5.77	5.30	1.68	3.12	4.99	1.64	3.00
21	1.84	0.32	5.81	5.38	1.70	3.13	5.04	1.65	3.01
22	1.87	0.32	5.84	5.46	1.72	3.14	5.09	1.66	3.02
23	1.91	0.32	5.88	5.54	1.74	3.15	5.14	1.67	3.03
24	1.94	0.33	5.91	5.62	1.76	3.16	5.19	1.68	3.04



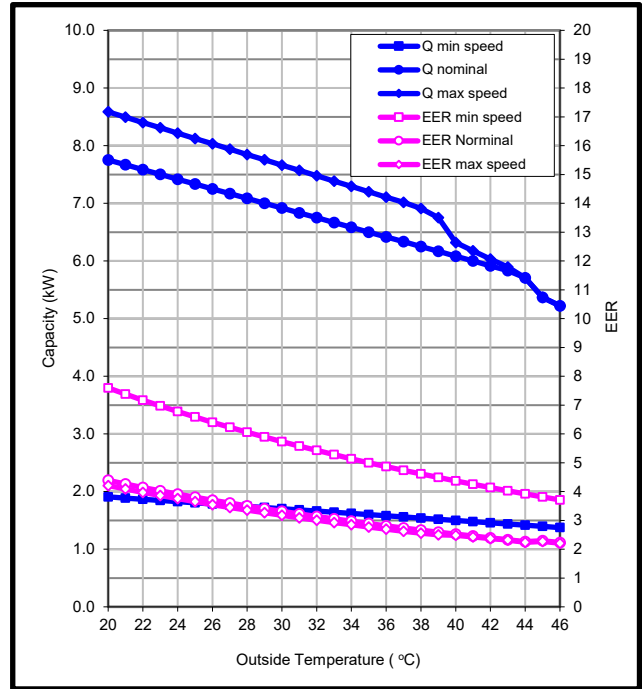
Model : RAS-24E2KVG-E / RAS-24E2AVG-E

Product specification :

Condition		Capacity (kW)	Power (kW)	EER/COP
Cooling JIS In: 27 °C DB/19°C WB Out: 35°C DB/24°C WB	Min	1.60	0.32	5.00
	Rated	6.50	2.25	2.89
	Max	7.20	2.60	2.77
Heating JIS In: 20 °C DB/15°C WB Out: 7°C DB/6°C WB	Min	1.60	0.29	5.52
	Rated	7.00	2.10	3.33
	Max	8.10	2.55	3.18

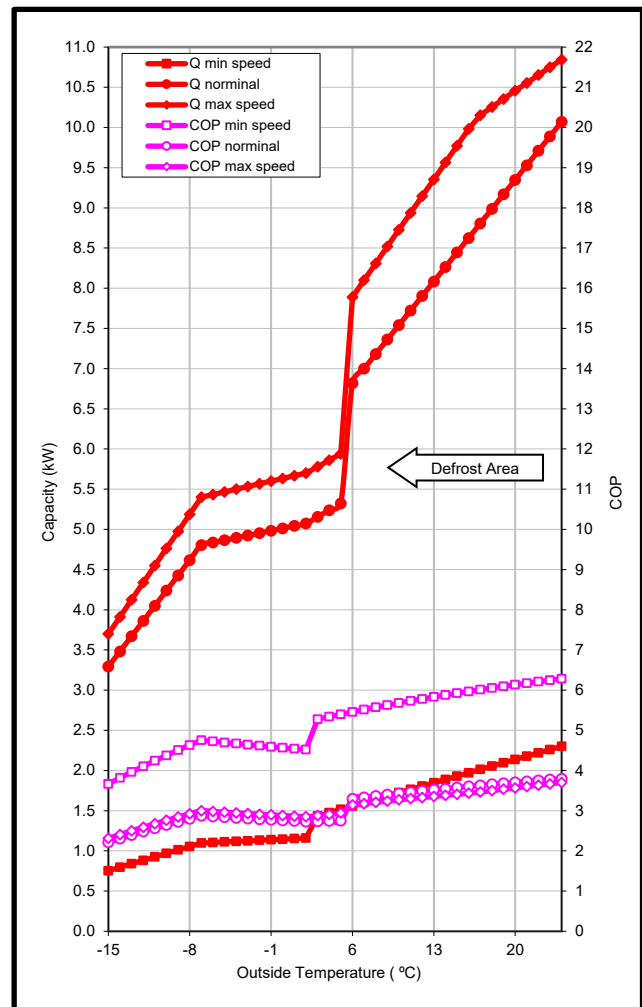
Cooling performance characteristic :

Outside Temp (°C)	Min capacity			Nominal capacity			Max capacity		
	Capacity (kW)	Power (kW)	EER (-)	Capacity (kW)	Power (kW)	EER (-)	Capacity (kW)	Power (kW)	EER (-)
20	1.91	0.25	7.60	7.75	1.77	4.39	8.59	2.04	4.21
21	1.89	0.26	7.38	7.67	1.80	4.26	8.49	2.08	4.09
22	1.87	0.26	7.17	7.58	1.83	4.14	8.40	2.12	3.97
23	1.85	0.26	6.97	7.50	1.86	4.03	8.31	2.15	3.86
24	1.83	0.27	6.77	7.42	1.90	3.91	8.22	2.19	3.75
25	1.81	0.27	6.59	7.33	1.93	3.81	8.12	2.23	3.65
26	1.78	0.28	6.40	7.25	1.96	3.70	8.03	2.26	3.55
27	1.76	0.28	6.23	7.17	1.99	3.60	7.94	2.30	3.45
28	1.74	0.29	6.06	7.08	2.02	3.50	7.85	2.34	3.35
29	1.72	0.29	5.89	7.00	2.06	3.40	7.75	2.38	3.26
30	1.70	0.30	5.73	6.92	2.09	3.31	7.66	2.41	3.17
31	1.68	0.30	5.58	6.83	2.12	3.22	7.57	2.45	3.09
32	1.66	0.31	5.43	6.75	2.15	3.13	7.48	2.49	3.01
33	1.64	0.31	5.28	6.67	2.19	3.05	7.38	2.53	2.92
34	1.62	0.32	5.14	6.58	2.22	2.97	7.29	2.56	2.85
35	1.60	0.32	5.00	6.50	2.25	2.89	7.20	2.60	2.77
36	1.58	0.32	4.87	6.42	2.28	2.81	7.11	2.64	2.70
37	1.56	0.33	4.74	6.33	2.31	2.74	7.02	2.67	2.62
38	1.54	0.33	4.61	6.25	2.35	2.66	6.91	2.70	2.55
39	1.52	0.34	4.49	6.17	2.38	2.59	6.75	2.70	2.50
40	1.50	0.34	4.37	6.08	2.41	2.52	6.62	2.55	2.48
41	1.48	0.35	4.25	6.00	2.44	2.46	6.48	2.55	2.42
42	1.46	0.35	4.14	5.92	2.48	2.39	6.33	2.55	2.37
43	1.44	0.36	4.03	5.83	2.51	2.33	6.18	2.55	2.31
44	1.42	0.36	3.92	5.71	2.52	2.26	6.03	2.55	2.24
45	1.39	0.37	3.81	5.57	2.54	2.19	5.88	2.55	2.17
46	1.37	0.37	3.71	5.42	2.54	2.12	5.73	2.55	2.10



Heating performance characteristic :

Outside Temp (°C)	Min capacity			Nominal capacity			Max capacity		
	Capacity (kW)	Power (kW)	COP (-)	Capacity (kW)	Power (kW)	COP (-)	Capacity (kW)	Power (kW)	COP (-)
-15	0.75	0.21	3.67	3.29	1.49	2.21	3.70	1.60	2.31
-14	0.80	0.21	3.82	3.48	1.51	2.31	3.91	1.63	2.41
-13	0.84	0.21	3.96	3.67	1.53	2.39	4.13	1.65	2.50
-12	0.88	0.21	4.10	3.86	1.56	2.48	4.34	1.68	2.59
-11	0.93	0.22	4.24	4.05	1.58	2.56	4.55	1.70	2.68
-10	0.97	0.22	4.38	4.24	1.60	2.64	4.76	1.73	2.76
-9	1.01	0.22	4.51	4.43	1.63	2.72	4.98	1.75	2.84
-8	1.06	0.23	4.63	4.62	1.65	2.80	5.19	1.78	2.92
-7	1.10	0.23	4.76	4.81	1.67	2.87	5.40	1.80	3.00
-6	1.11	0.23	4.73	4.84	1.69	2.86	5.43	1.82	2.98
-5	1.11	0.24	4.70	4.86	1.71	2.84	5.47	1.84	2.96
-4	1.12	0.24	4.67	4.89	1.73	2.82	5.50	1.87	2.95
-3	1.13	0.24	4.64	4.92	1.76	2.81	5.53	1.89	2.93
-2	1.13	0.25	4.62	4.95	1.78	2.79	5.57	1.91	2.91
-1	1.14	0.25	4.59	4.98	1.80	2.77	5.60	1.93	2.90
0	1.15	0.25	4.57	5.01	1.82	2.76	5.63	1.96	2.88
1	1.15	0.25	4.54	5.04	1.84	2.74	5.67	1.98	2.87
2	1.16	0.26	4.52	5.07	1.86	2.73	5.70	2.00	2.85
3	1.43	0.27	5.27	5.16	1.88	2.74	5.78	2.01	2.88
4	1.48	0.28	5.34	5.24	1.91	2.75	5.86	2.01	2.91
5	1.52	0.28	5.40	5.32	1.93	2.75	5.94	2.02	2.94
6	1.56	0.29	5.46	5.40	1.96	2.74	6.02	2.03	2.97
7	1.60	0.29	5.52	5.48	1.99	2.73	6.10	2.04	3.00
8	1.64	0.29	5.57	5.56	2.02	2.72	6.18	2.05	3.03
9	1.68	0.30	5.63	5.64	2.05	2.71	6.26	2.06	3.06
10	1.72	0.30	5.68	5.72	2.08	2.70	6.34	2.07	3.09
11	1.77	0.31	5.73	5.80	2.11	2.69	6.42	2.08	3.12
12	1.81	0.31	5.78	5.88	2.14	2.68	6.50	2.09	3.15
13	1.85	0.32	5.83	5.96	2.17	2.67	6.58	2.10	3.18
14	1.89	0.32	5.88	6.04	2.20	2.66	6.66	2.11	3.21
15	1.93	0.33	5.92	6.12	2.23	2.65	6.74	2.12	3.24
16	1.97	0.33	5.97	6.20	2.26	2.64	6.82	2.13	3.27
17	2.01	0.33	6.01	6.28	2.29	2.63	6.90	2.14	3.30
18	2.05	0.34	6.05	6.36	2.32	2.62	6.98	2.15	3.33
19	2.10	0.34	6.09	6.44	2.35	2.61	7.06	2.16	3.36
20	2.14	0.35	6.13	6.52	2.38	2.60	7.14	2.17	3.39
21	2.18	0.35	6.17	6.60	2.41	2.59	7.22	2.18	3.42
22	2.22	0.36	6.21	6.68	2.44	2.58	7.30	2.19	3.45
23	2.26	0.36	6.25	6.76	2.47	2.57	7.38	2.20	3.48
24	2.30	0.37	6.28	6.84	2.50	2.56	7.46	2.21	3.51



# **TOSHIBA CARRIER (THAILAND) CO.,LTD.**

144/9 Moo 5, Bangkadi Industrial Park, Tivanon Road, Tambol Bangkadi,  
Amphur Muang, Pathumthani 12000, Thailand

Copyright © 2015 TOSHIBA CARRIER (THAILAND), All Rights Reserved

Notice : Toshiba is committed to continuously improving its products to ensure the highest quality and reliability standard, and to meet local regulations and market requirements. All features and specifications are subject to change without prior notice.

---