

Residential Inverter R32 Heat Pump SEIYA Series

Indoor Units

RAS-B05B2KVG-E

RAS-B07B2KVG-E

RAS-B10B2KVG-E

RAS-B13B2KVG-E

RAS-B16B2KVG-E

RAS-B18B2KVG-E

RAS-B24B2KVG-E

Outdoor Units

RAS-05B2AVG-E

RAS-07B2AVG-E

RAS-10B2AVG-E

RAS-13B2AVG-E

RAS-16B2AVG-E

RAS-18B2AVG-E

RAS-24B2AVG-E





Contents

1 Line up.	3
2 Specifications	4
3 Dimension	5
4 Wiring diagram	11
5 Refrigerant cycle diagram	13
6 Air speed distribution	20
7 Sound characteristics (NC Curve)	27
8 Capacity table	33
9 Part load performance	40
10 Performance characteristic	47
11 Accessories	54

1. Line up

Outdoor Unit	Indoor Unit	Model Name		Capacity Rank
		CDU	FCU	
		RAS-B05B2KVG-E	RAS-05B2AVG-E	5k
		RAS-B07B2KVG-E	RAS-07B2AVG-E	7k
		RAS-B10B2KVG-E	RAS-10B2AVG-E	10k
		RAS-B13B2KVG-E	RAS-13B2AVG-E	13k
		RAS-B16B2KVG-E	RAS-16B2AVG-E	16k
		RAS-B18B2KVG-E	RAS-18B2AVG-E	18k
		RAS-B24B2KVG-E	RAS-24B2AVG-E	24k

Accessories

Appearance	Model Name	Remark
	WH-TG01NE	Standard remote controller
	RB-RXS33-E	Optional accessory remote controller for weekly timer program
	RB-RXS34-E	Optional accessory remote controller for weekly timer program (optional black color)
	RB-N101S-G for BF1 RB-N102S-G for BF2	Optional accessory wireless adapter

2. Specifications

Specifications								
System	Size	5k	7k	10k	13k	16k	18k	24k
	Indoor	RAS-B05B2KVG-E	RAS-B07B2KVG-E	RAS-B10B2KVG-E	RAS-B13B2KVG-E	RAS-B16B2KVG-E	RAS-B18B2KVG-E	RAS-B24B2KVG-E
	Outdoor	RAS-05B2AVG-E	RAS-07B2AVG-E	RAS-10B2AVG-E	RAS-13B2AVG-E	RAS-16B2AVG-E	RAS-18B2AVG-E	RAS-24B2AVG-E
Power supply (V/Ph/Hz)		220 - 240 / 1 / 50 220 - 230 / 1 / 60				220 - 240 / 1 / 50		220 - 240 / 1 / 50 220 - 230 / 1 / 60
Cooling	Capacity (kW)	1.5 (0.58 - 2.00)	2.0 (0.76 - 2.40)	2.5 (0.80 - 3.00)	3.3 (1.00 - 3.60)	4.2 (1.10 - 4.70)	5.0 (1.10 - 5.5)	6.5 (1.1 - 7.1)
	Power Consumption (kW)	0.36 (0.16 - 0.58)	0.60 (0.20 - 0.74)	0.72 (0.21 - 1.00)	1.17 (0.25 - 1.35)	1.37 (0.35 - 1.70)	1.73 (0.35 - 1.90)	2.30 (0.25 - 2.40)
	EER (kW/kW)	4.17	3.33	3.47	2.82	3.07	2.89	2.83
	PdesignC (kW)	1.50	2.00	2.50	3.30	4.20	5.00	6.50
	SEER (kW/kW)	6.10	6.10	6.10	6.10	6.10	6.10	6.10
	Indoor Sound Pressure (H / M+ / M / L+ / L (Quiet)) *1 (dB)	39/35/31/27/23 (19)	40/35/31/27/23 (19)	41/38/34/28/24 (19)	42/37/33/29/24 (20)	44/39/35/30/25 (22)	47/44/40/36/32 (26)	48/45/42/39/35 (29)
	Outdoor Sound Pressure (Rated/ Silent 1/ Silent 2) (dB)	49/48/44	49/49/44	49/49/45	50/50/45	52/51/45	52/52/46	56/55/51
	Indoor Air Flow (m ³ /h)	480	490	620	650	760	840	1070
Heating	Capacity (kW)	2.0 (0.58 - 3.00)	2.5 (0.76 - 3.30)	3.2 (0.76 - 3.90)	3.6 (0.76 - 4.50)	5.0 (0.85 - 6.0)	5.4 (1.10 - 6.0)	7.0 (1.2 - 8.0)
	Power Consumption (kW)	0.47 (0.14 - 0.85)	0.64 (0.16 - 0.94)	0.84 (0.18 - 1.10)	1.02 (0.18 - 1.25)	1.45 (0.25 - 1.90)	1.65 (0.27 - 1.88)	2.10 (0.27 - 2.50)
	COP (kW/kW)	4.26	3.91	3.81	3.53	3.45	3.27	3.33
	PdesignH (Tbiv -7°C) (kW)	1.60	2.00	2.10	2.30	3.30	3.70	4.40
	SCOP (kW/kW)	4.00	4.00	4.00	4.00	4.00	4.00	4.00
	Indoor Sound Pressure (H / M+ / M / L+ / L (Quiet)) *1 (dB)	38/35/31/27/24 (19)	39/35/31/28/24 (19)	40/36/32/27/24 (20)	42/38/34/30/24 (20)	43/39/35/30/25 (23)	48/44/40/36/32 (26)	48/45/42/39/35 (29)
	Outdoor Sound Pressure (Rated/ Silent 1/ Silent 2) (dB)	50/50/44	51/50/44	51/51/45	52/51/45	53/52/47	53/53/48	57/56/51
	Indoor Air Flow (m ³ /h)	480	500	620	600	760	790	860
FCU	H x W x D (mm)	288 x 770 x 225				293 x 798 x 230		320 x 1050 x 250
	Net Weigh (kg)	9				10		14
CDU	H x W x D (mm)	530 / 660 / 240				550 / 780 / 290		
	Net Weigh (kg)	20		21		26		37
Pipe	Chargeless (m)	10						
	Maximum Length (m)	10				15		
	Maximum Height (m)	8						
	Refrigerant	R32						
Energy Label	Cooling / Heating	A++ / A+						
Useble Range Temperature	Cooling (°C)	Indoor: 21 ~ 32 °C , Outdoor: (-10) ~ 46 °C						
	Heating (°C)	Indoor: 0 ~ 28 °C , Outdoor: (-10) ~ 24 °C						

Note : *1 Base on background noise ≤ 10 dB.A

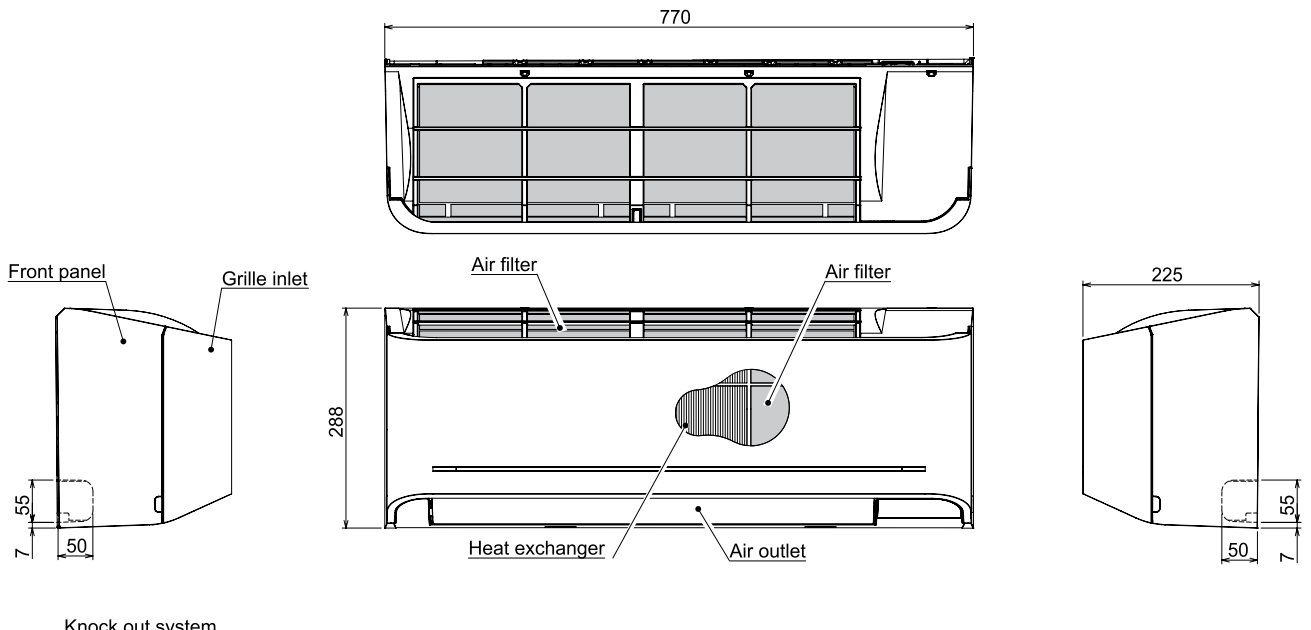
Cooling capacity : Inside air temperature 27°C (Db) / 19°C (Wb), outside air temperature 35°C (Db) / 24°C (Wb).

Heating capacity : Inside air temperature 20°C (Db) / 15°C (Wb), outside air temperature 7°C (Db) / 6°C (Wb).

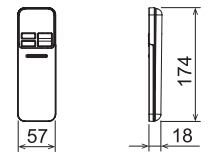
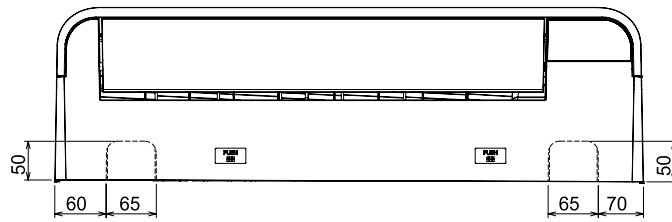
The specification may be subject to change without notice for purpose of improvement.

3. Dimension

Indoor Unit : RAS-B*__ B2KVG-E (05, 07,10 ,13)

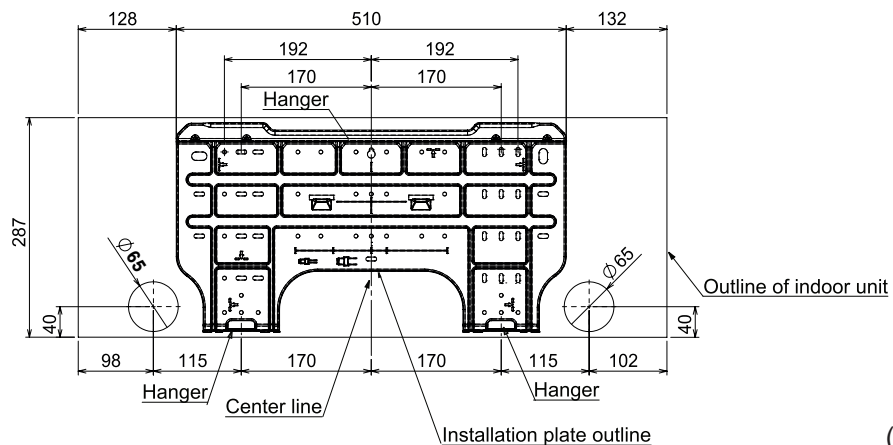
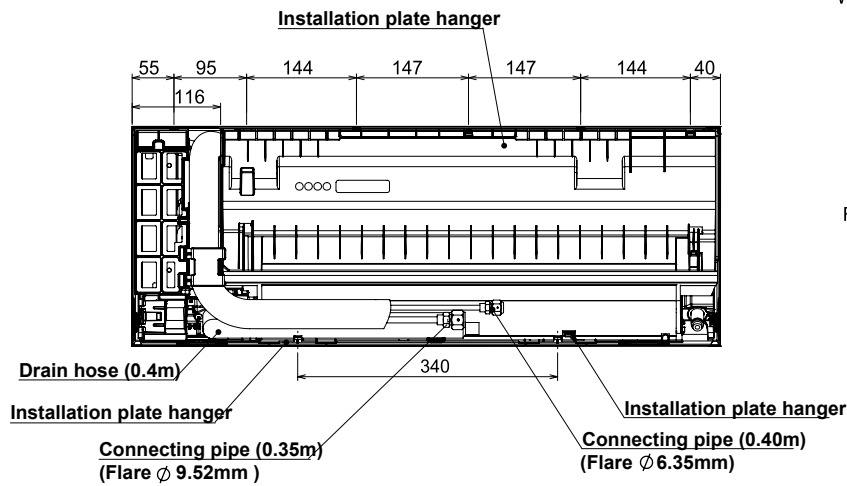


Knock out system



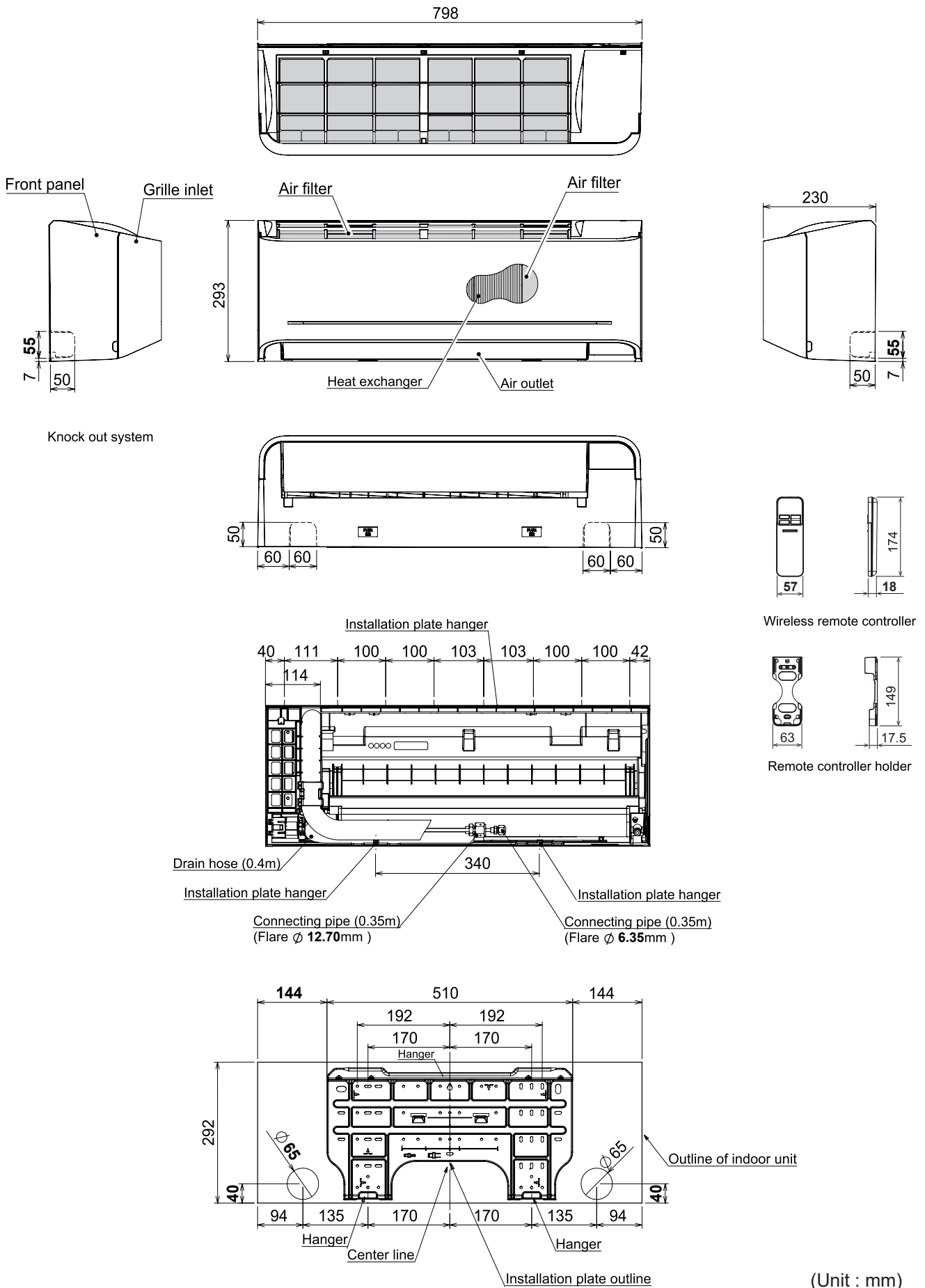
Wireless remote controller

Remote controller holder



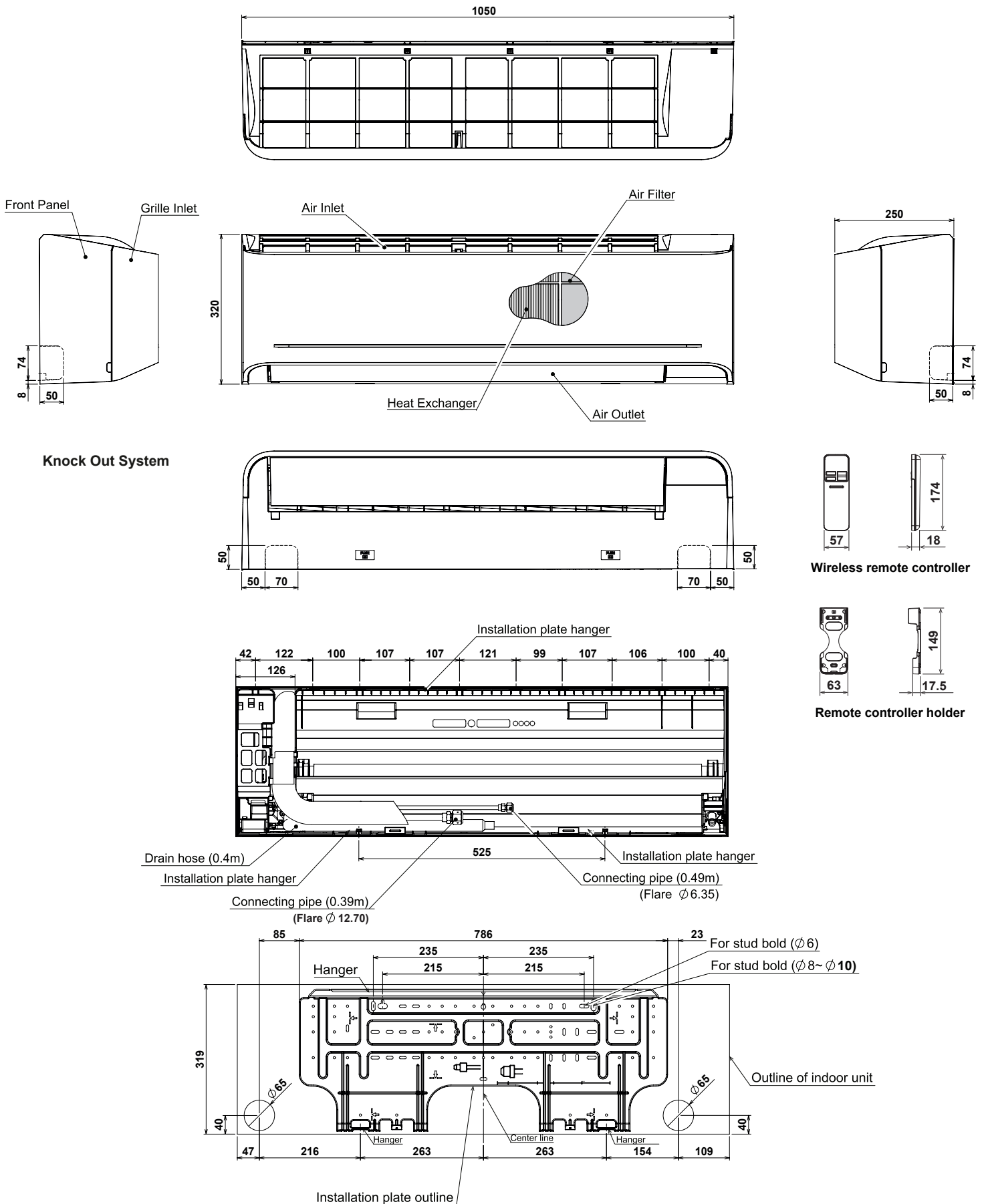
(Unit : mm)

Indoor Unit : RAS-B*_ B2KVG-E (16 , 18)



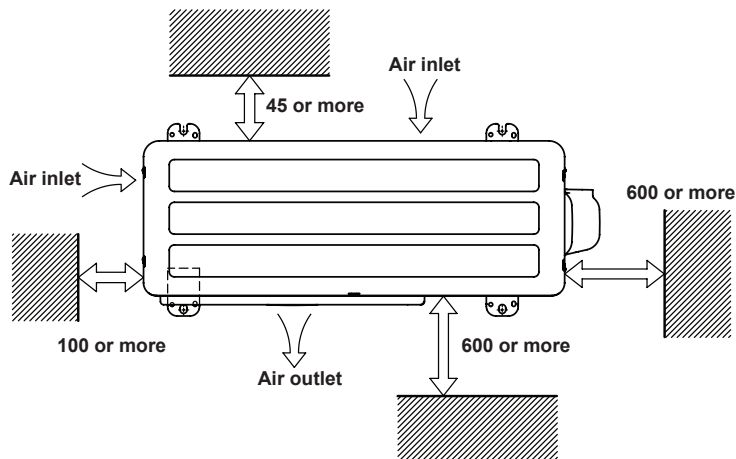
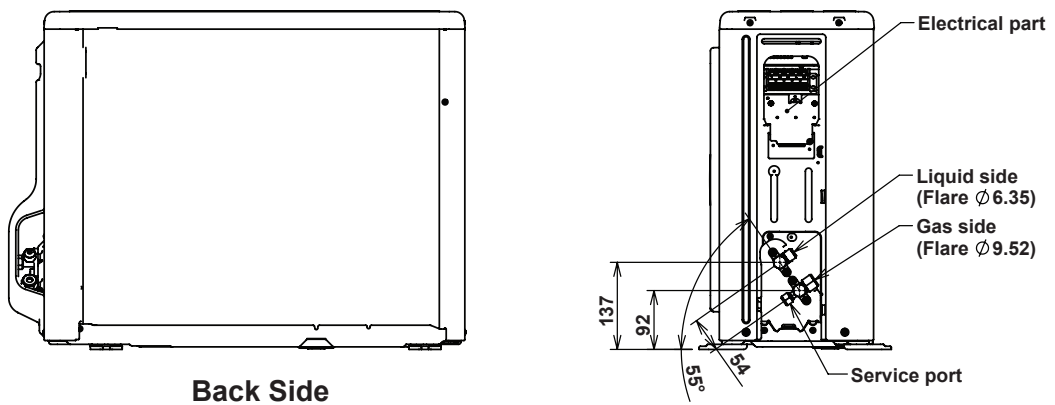
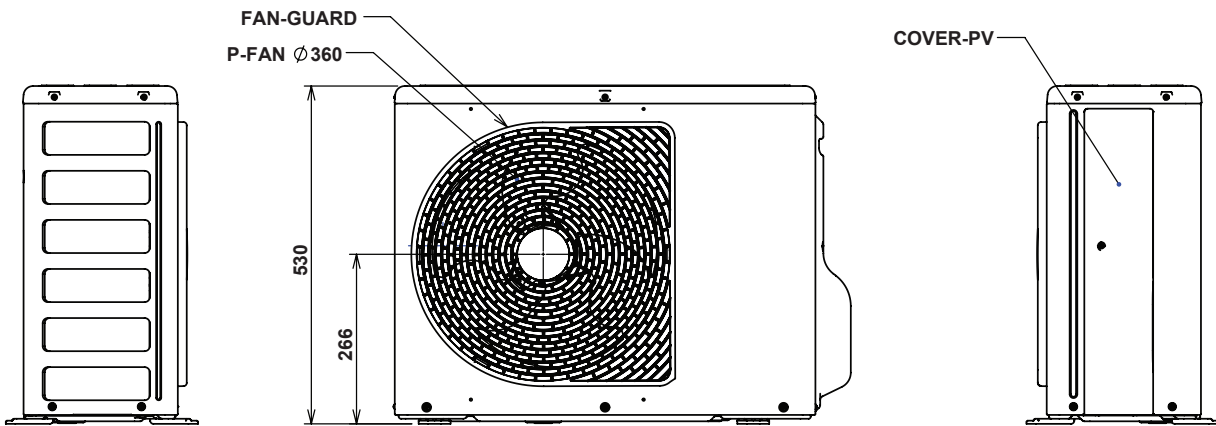
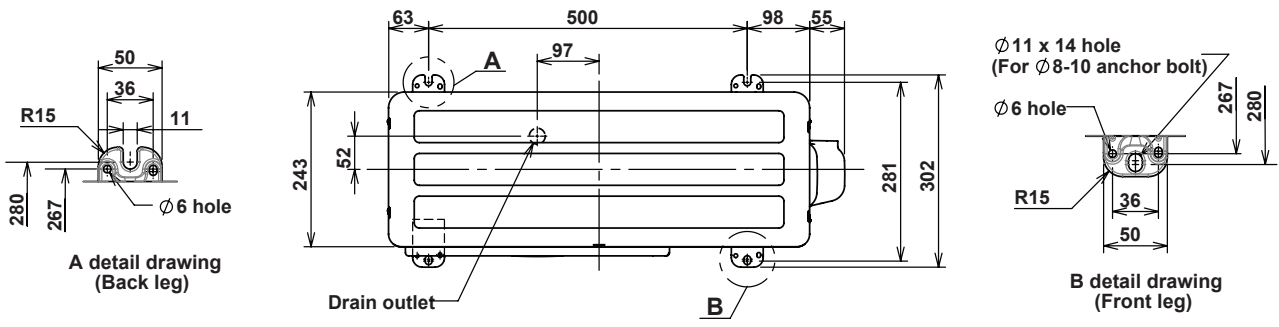
(Unit : mm)

Indoor Unit : RAS-B24B2KVG-E



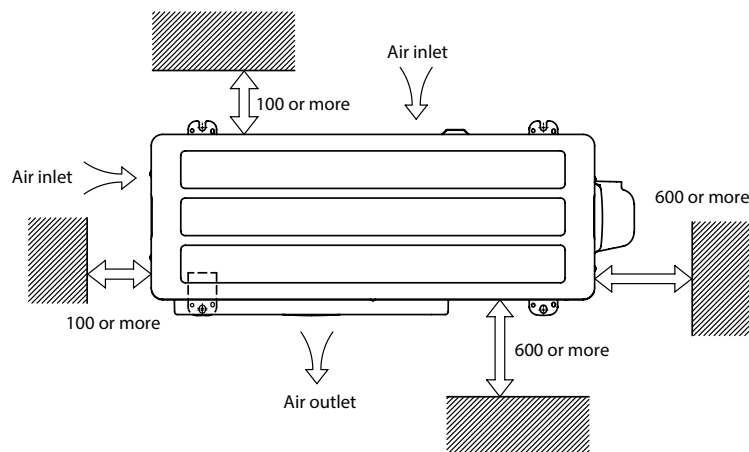
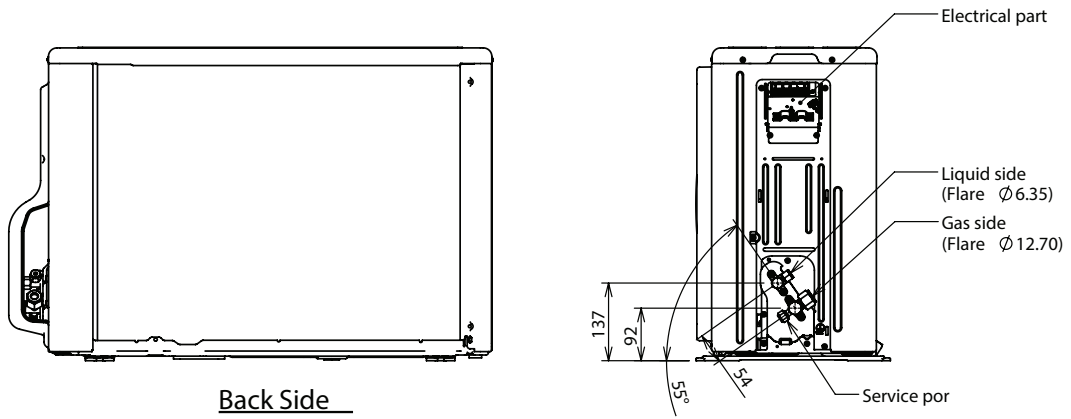
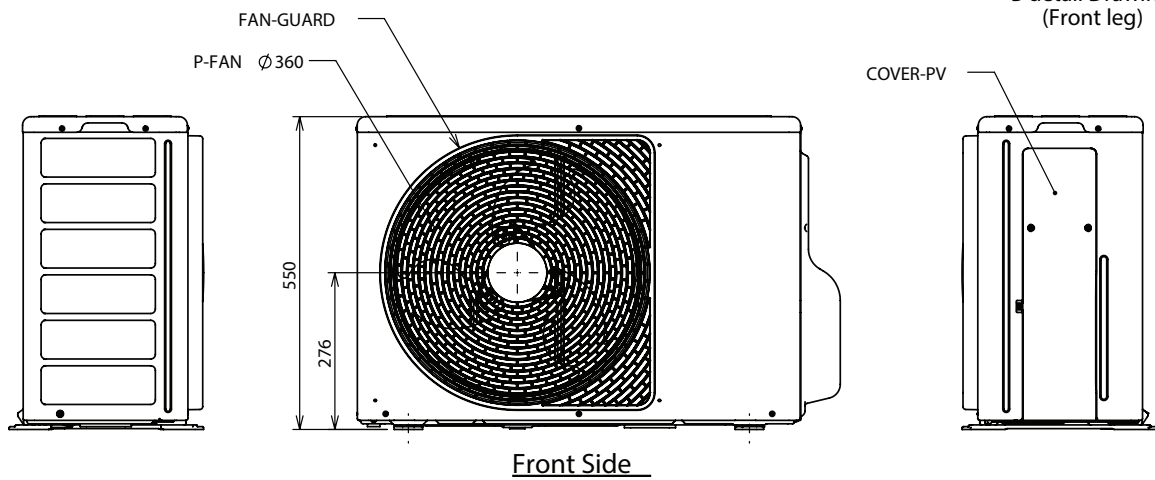
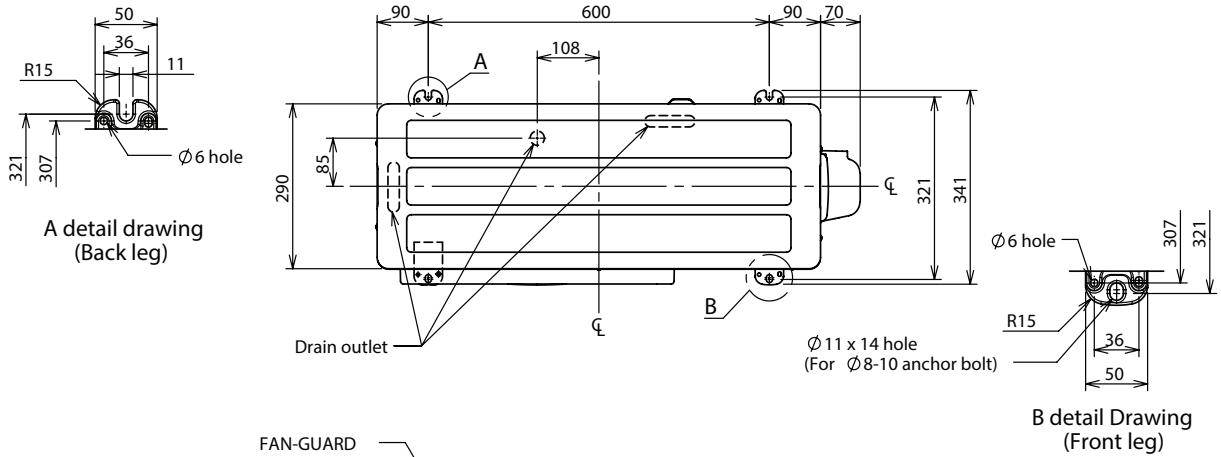
(Unit : mm)

Outdoor Unit : RAS-*__ B2AVG-E (05 , 07 , 10 , 13)



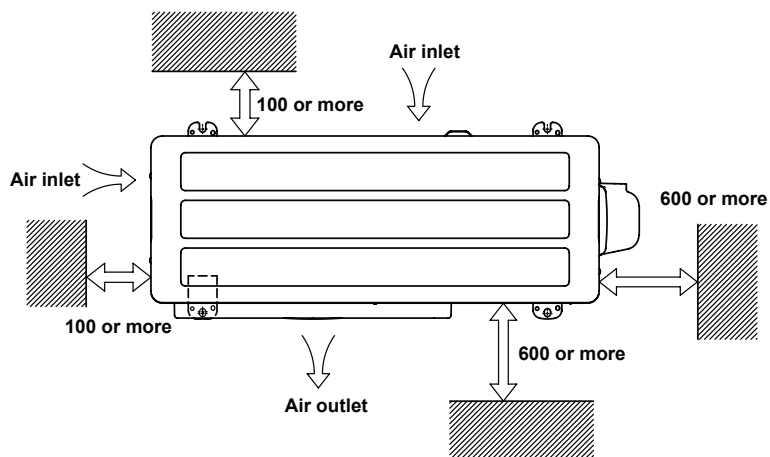
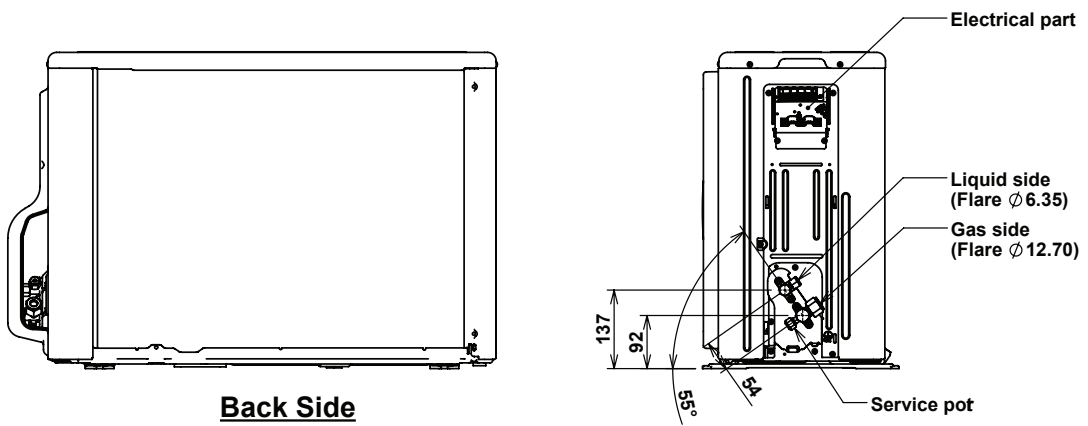
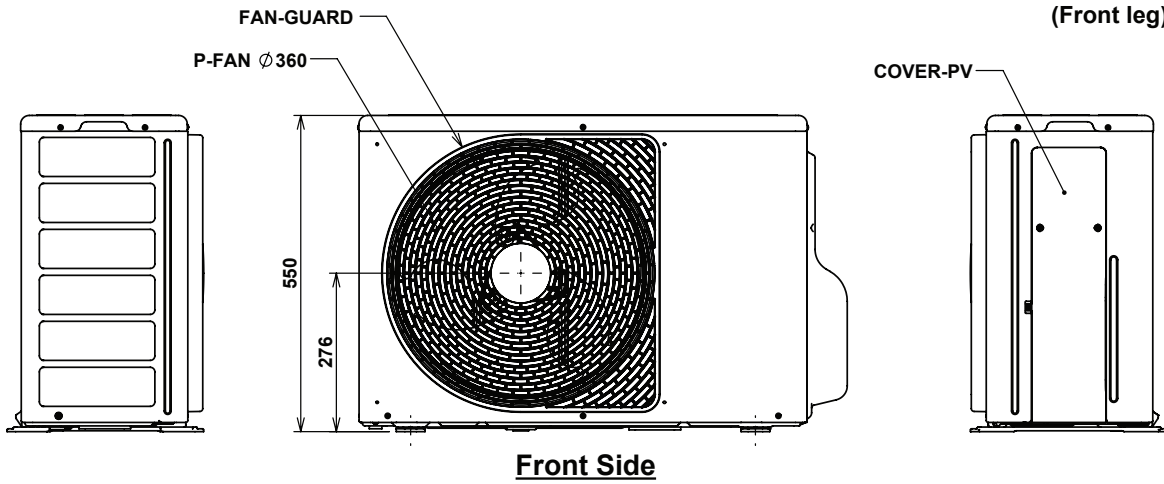
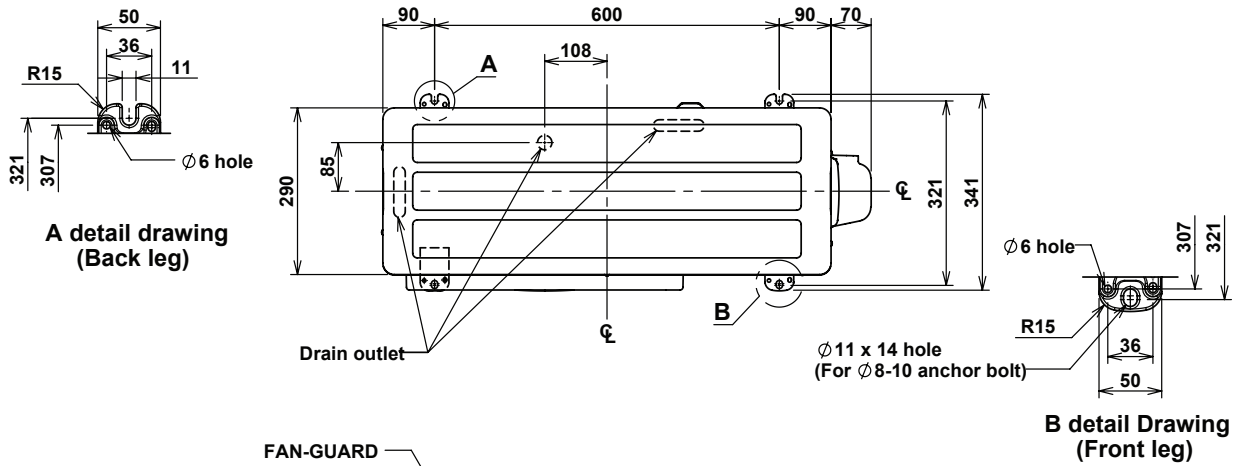
(Unit : mm)

Outdoor Unit : RAS-*__ B2AVG-E (16 , 18)



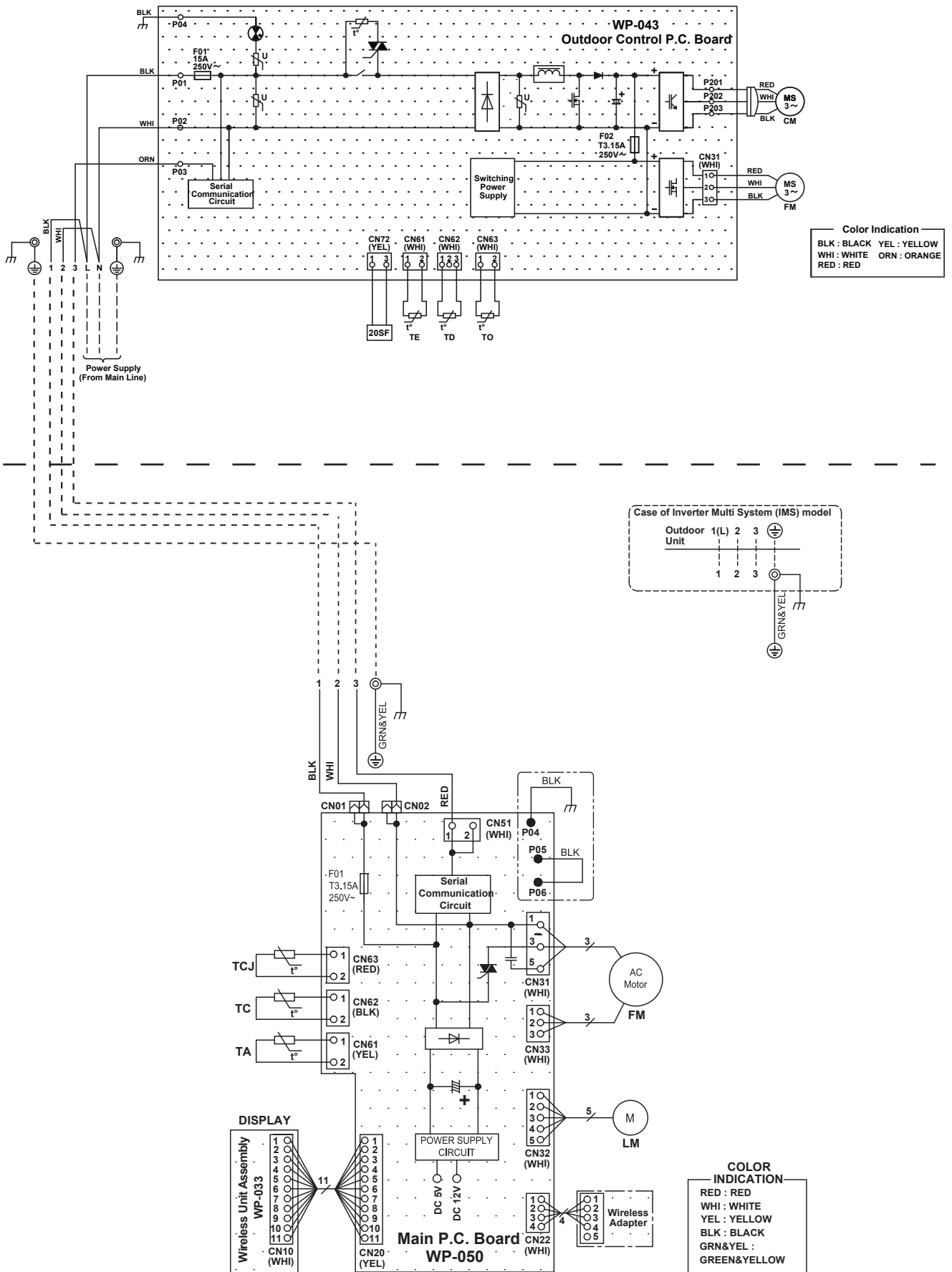
(Unit : mm)

Outdoor Unit : RAS-24B2AVG-E

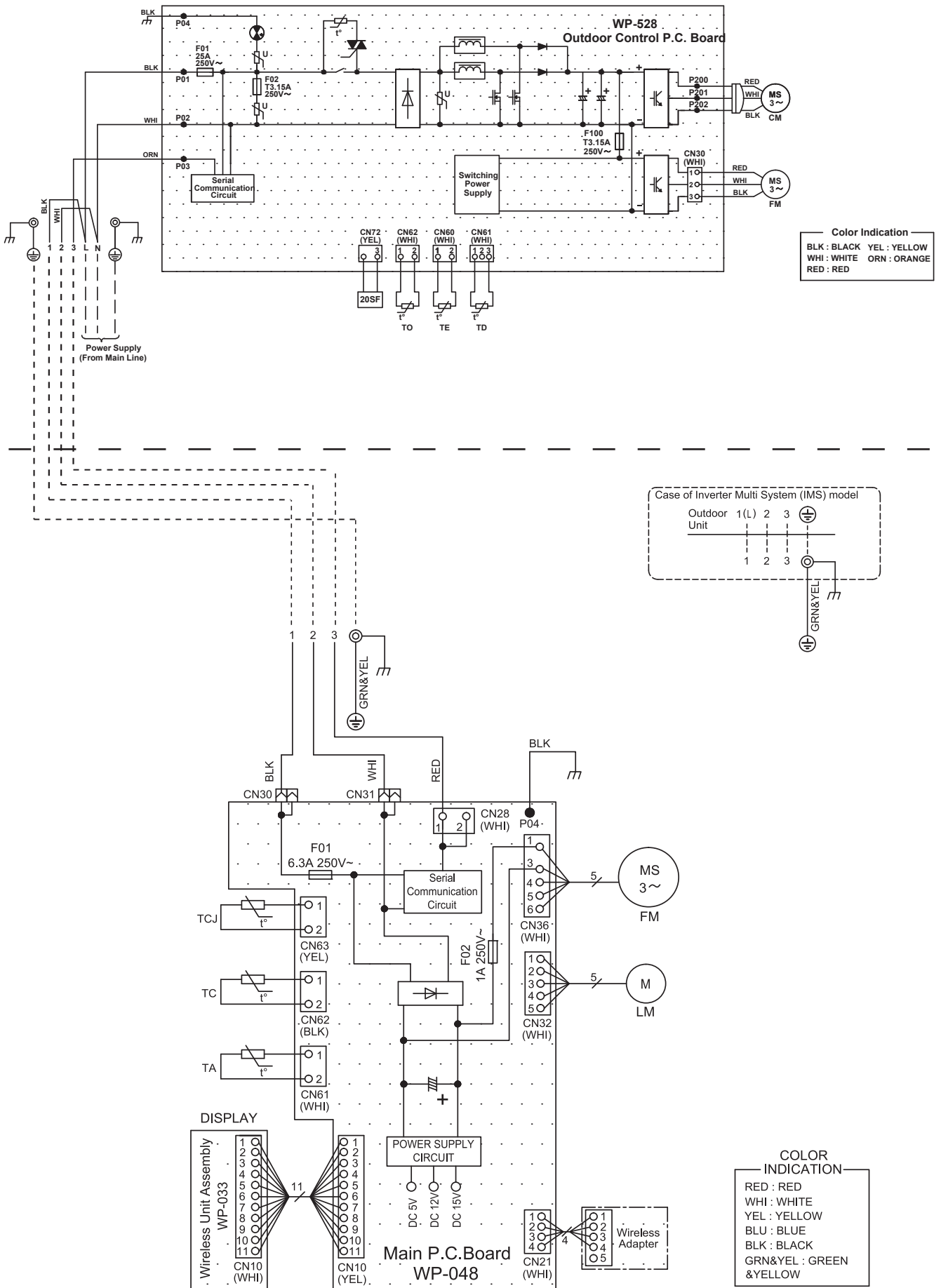


4. Wiring diagrams

Indoor Unit : RAS-B*__ B2KVG-E (05, 07,10 ,13, 16, 18)

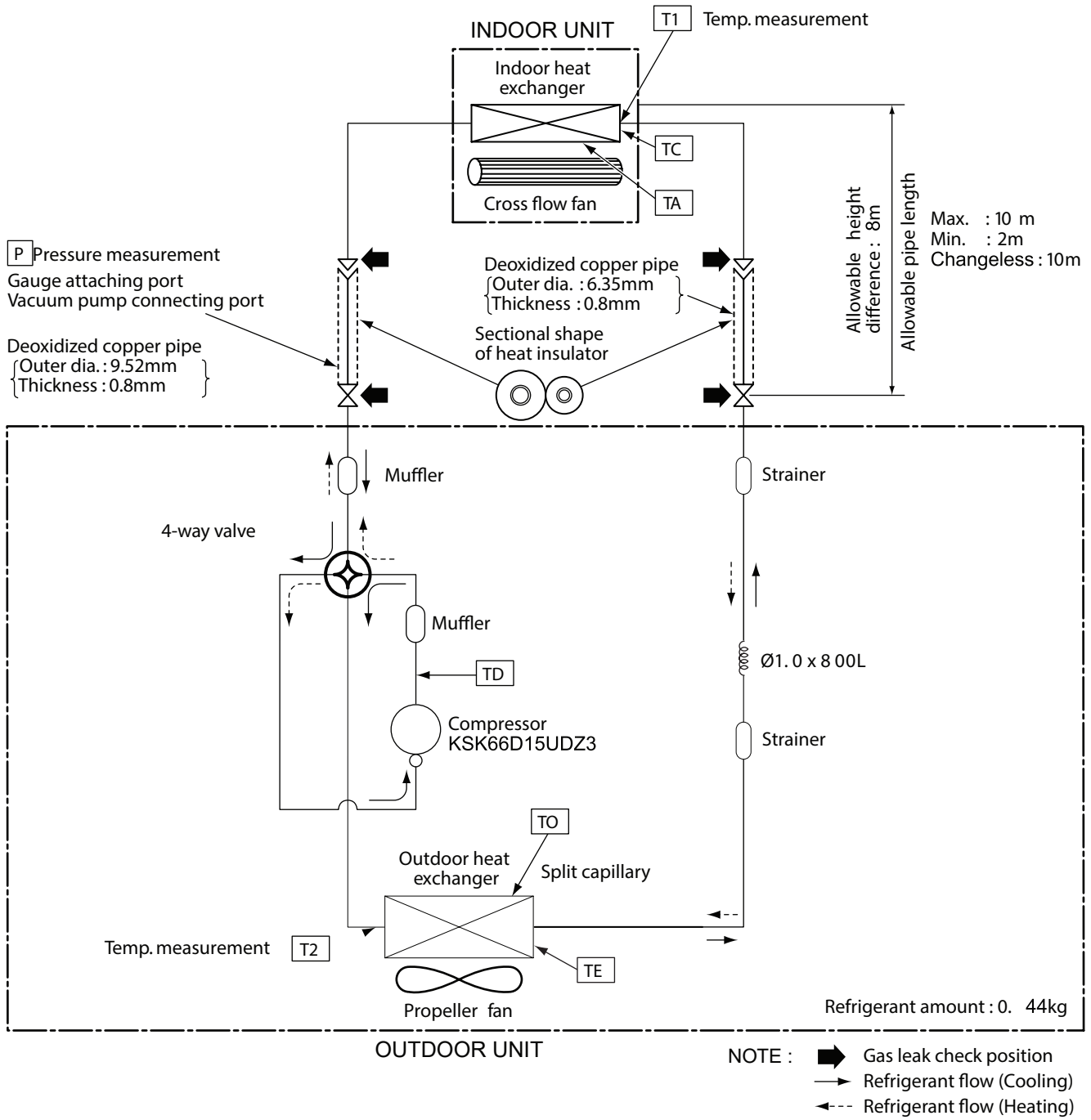


Indoor Unit : RAS-B24B2KVG-E

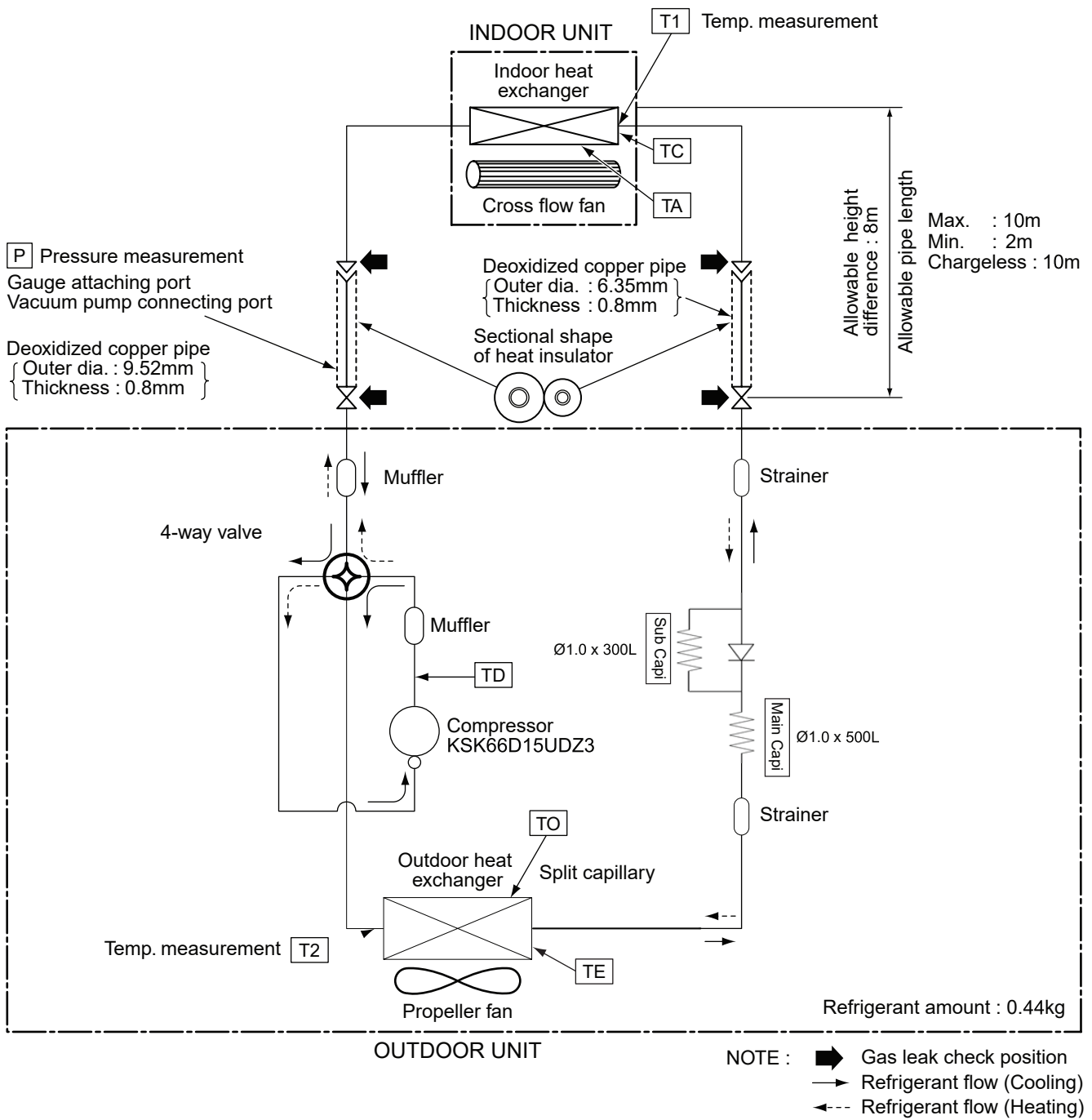


5. Refrigerant Cycle Diagram

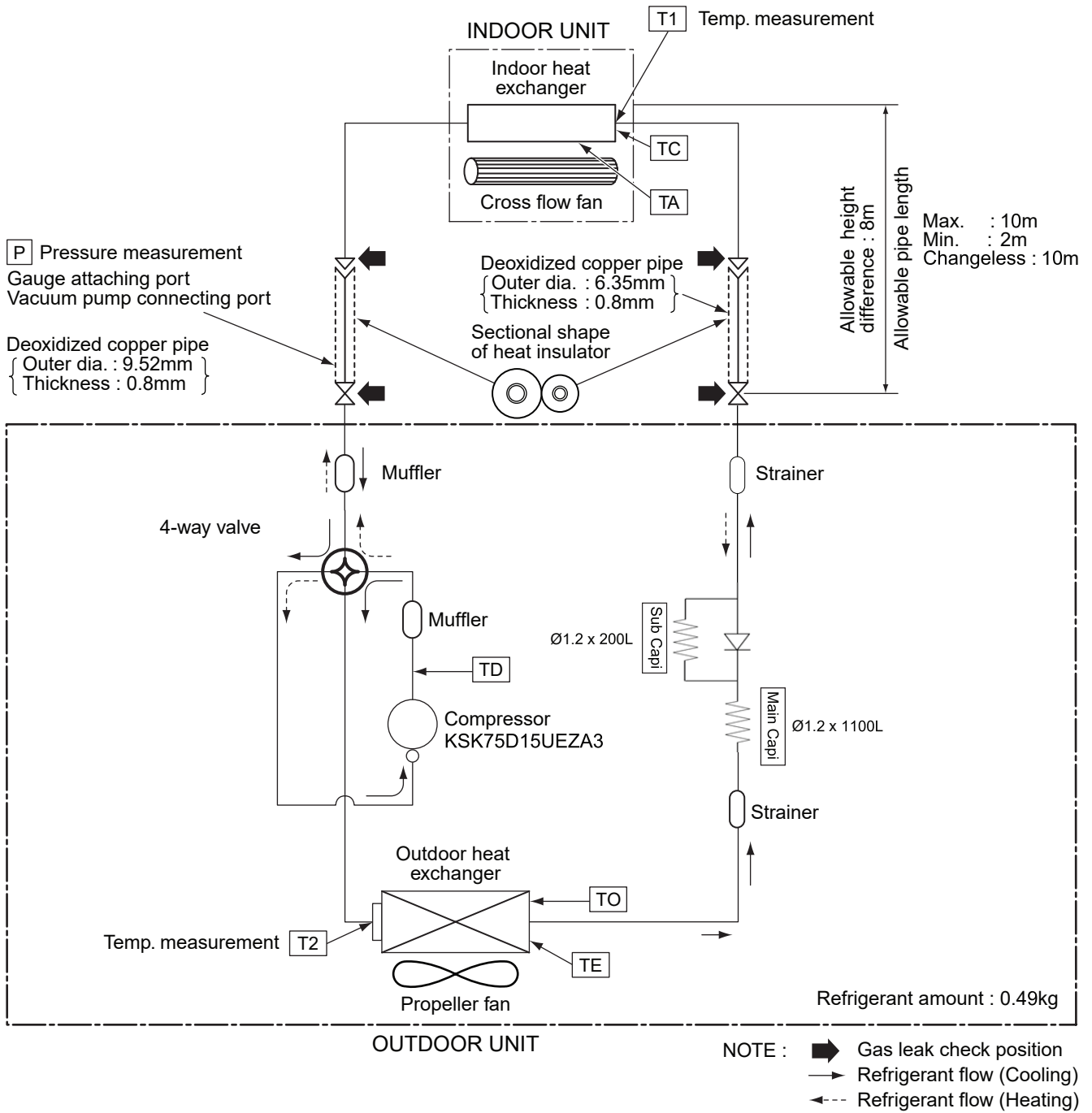
RAS-B05B2KVG-E ; RAS-05B2AVG-E



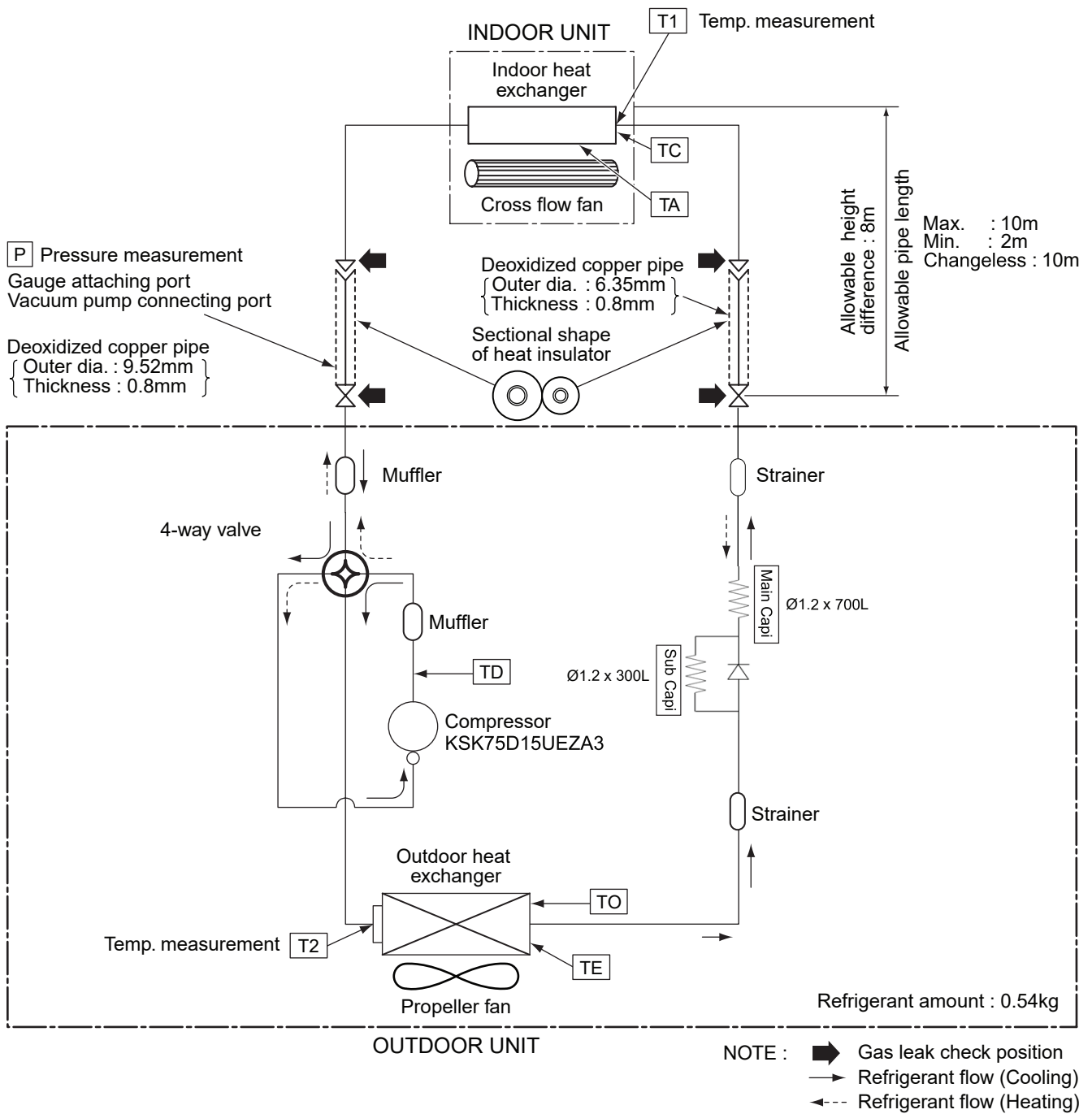
RAS-B07B2KVG-E ; RAS-07B2AVG-E



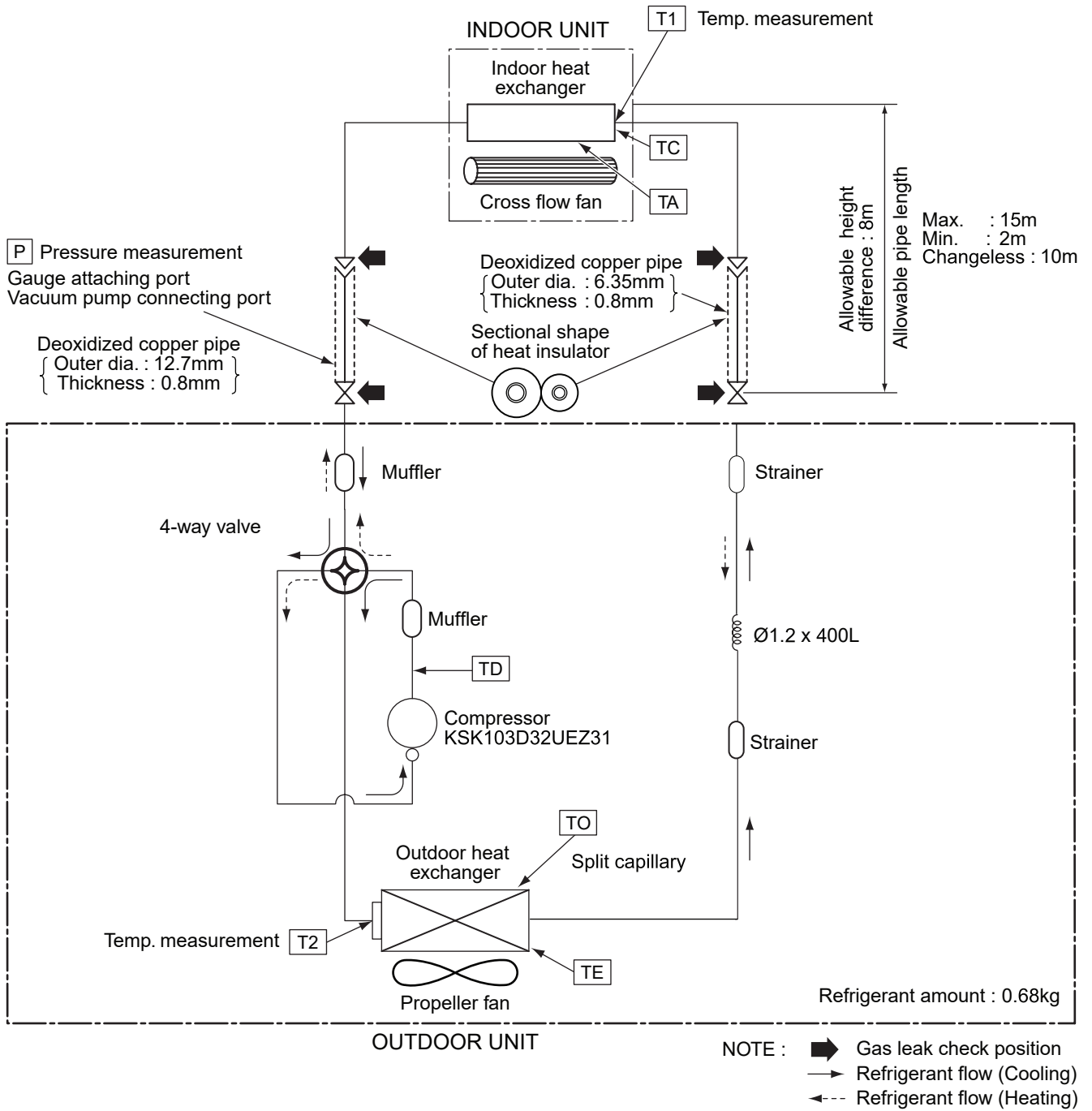
RAS-B10B2KVG-E ; RAS-10B2AVG-E



RAS-B13B2KVG-E ; RAS-13B2AVG-E



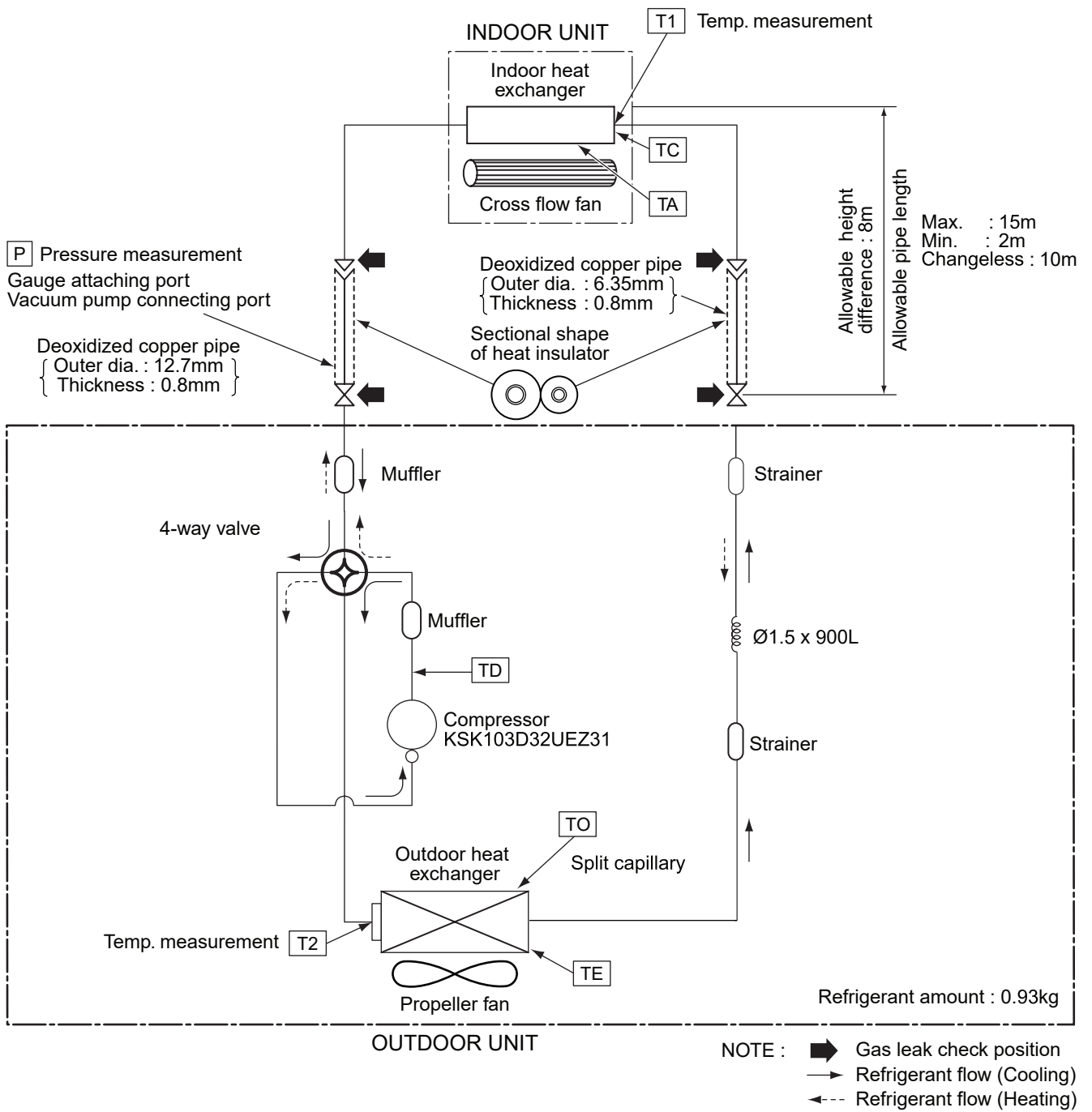
RAS-B16B2KVG-E ; RAS-16B2AVG-E



NOTE :

- The maximum pipe length of this air conditioner is 15 m. When the pipe length exceeds 15m, the additional charging of refrigerant, 20g per 1m for the part of pipe exceeded 15m is required. (Max. 100g)

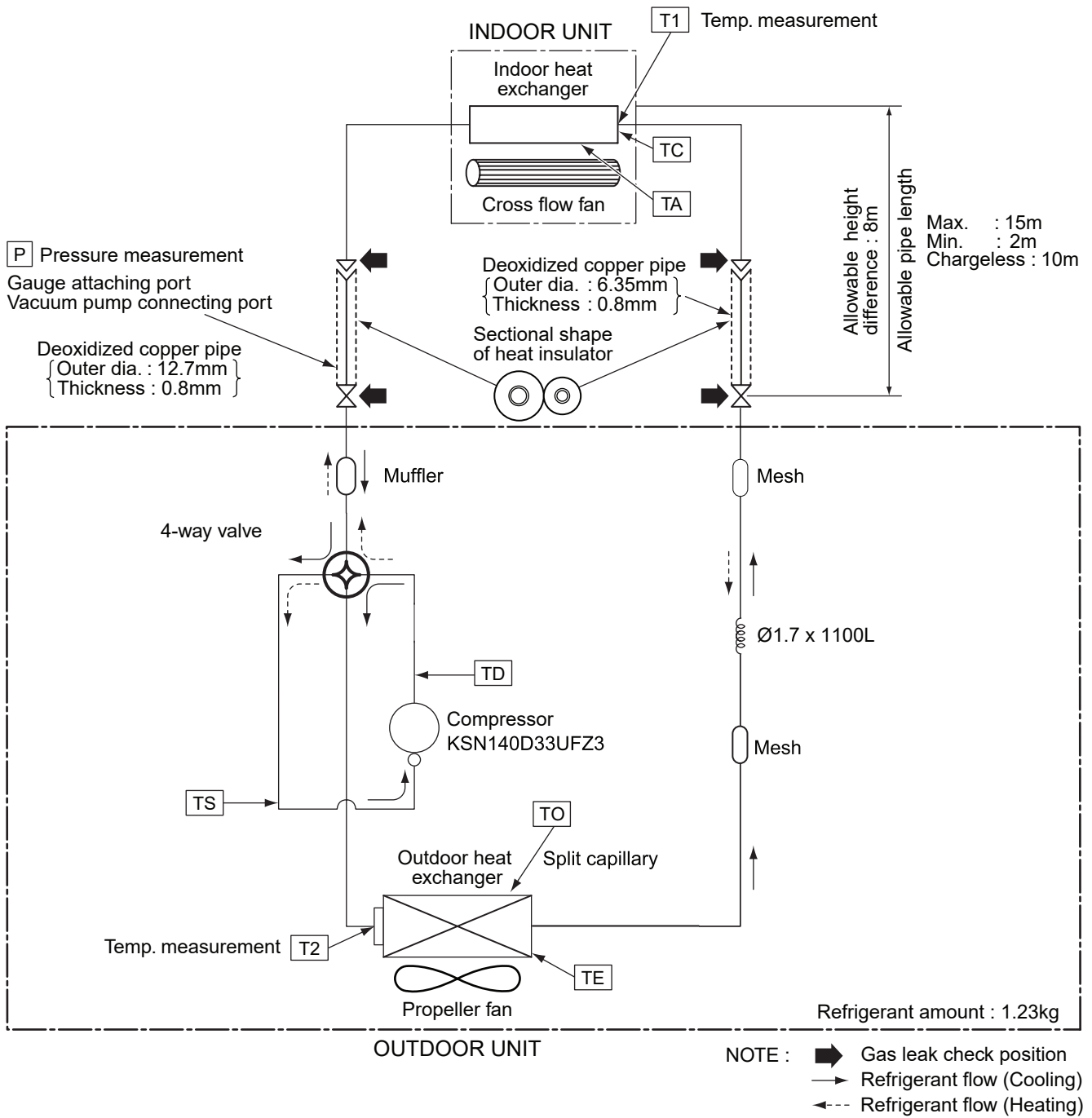
RAS-B18B2KVG-E ; RAS-18B2AVG-E



NOTE :

- The maximum pipe length of this air conditioner is 15 m. When the pipe length exceeds 15m, the additional charging of refrigerant, 20g per 1m for the part of pipe exceeded 15m is required. (Max. 100g)

RAS-B24B2KVG-E ; RAS-24B2AVG-E



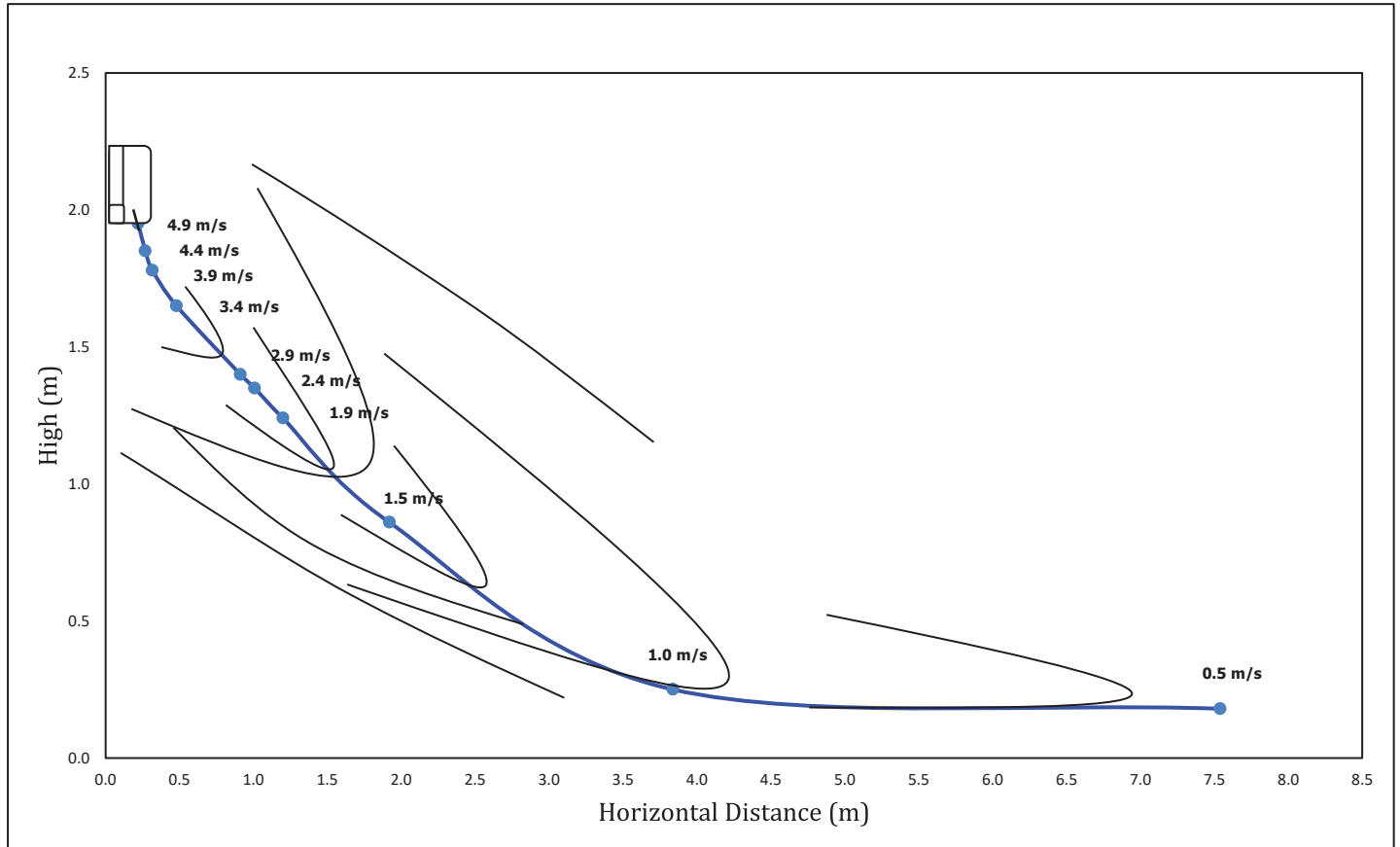
NOTE :

- The maximum pipe length of this air conditioner is 15 m. When the pipe length exceeds 10m, the additional charging of refrigerant, 20g per 1m for the part of pipe exceeded 10m is required. (Max. 100g)

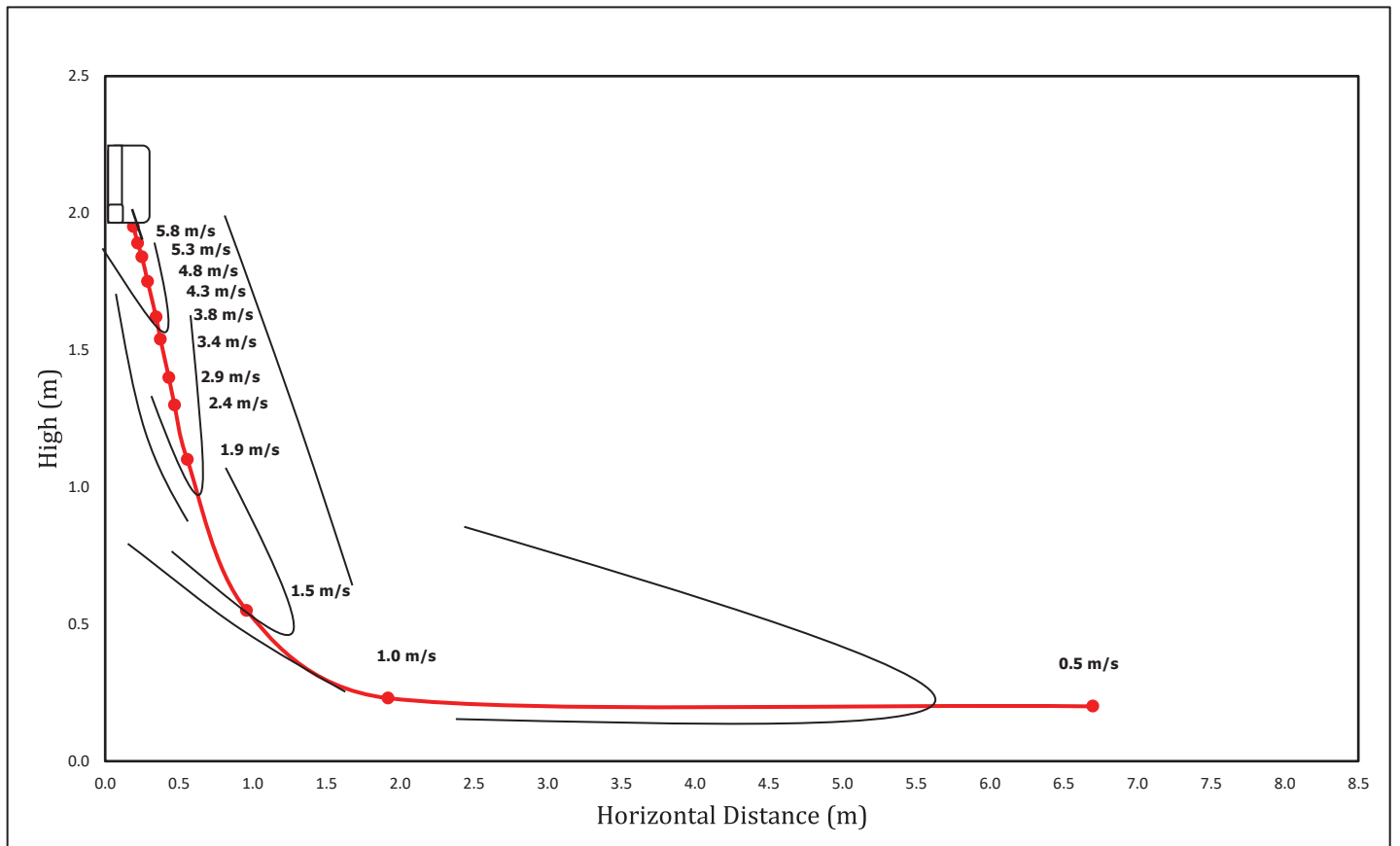
6. Air Speed Distribution

Indoor Unit : RAS-B05B2KVG-E ; RAS-05B2AVG-E

Cooling

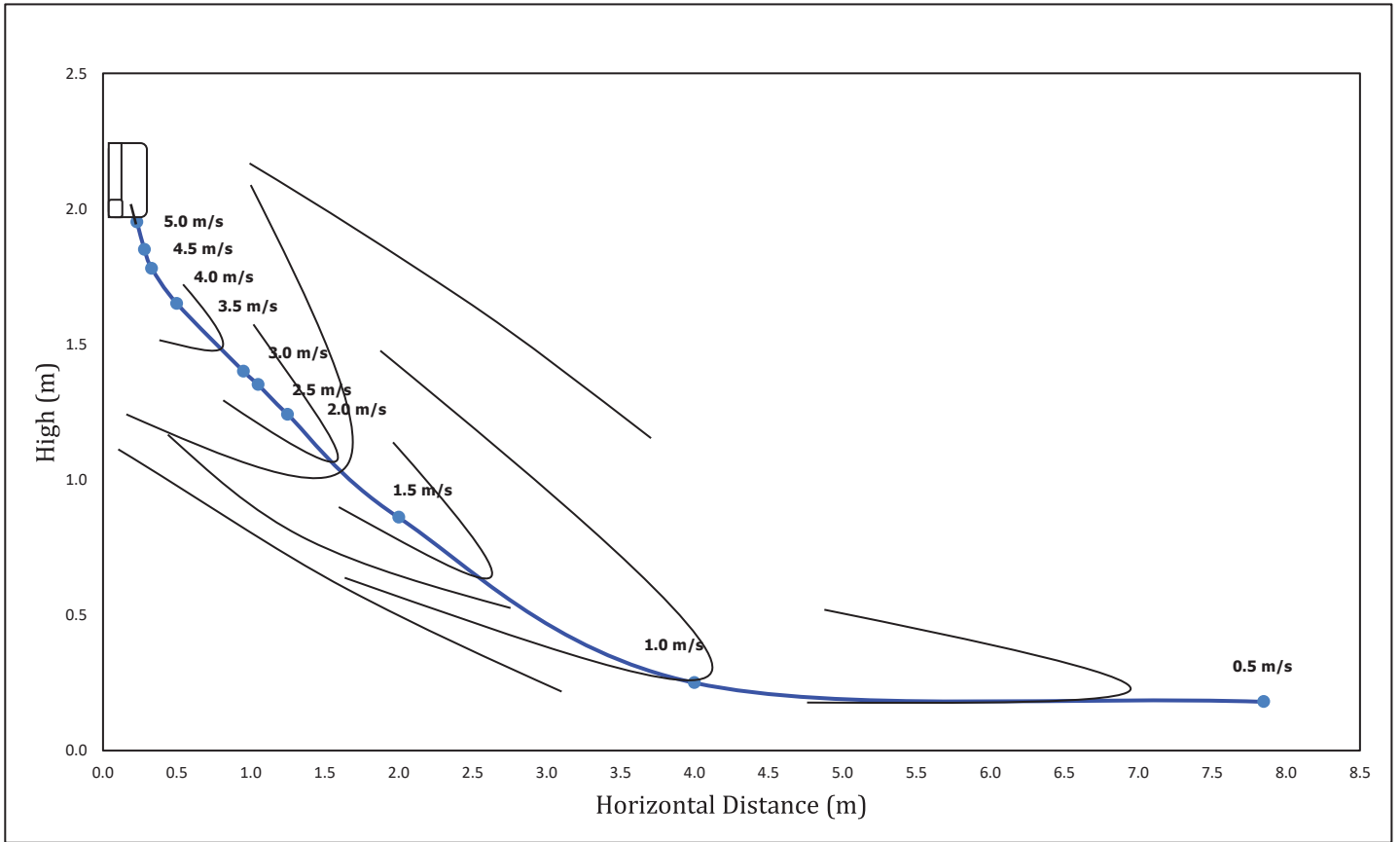


Heating

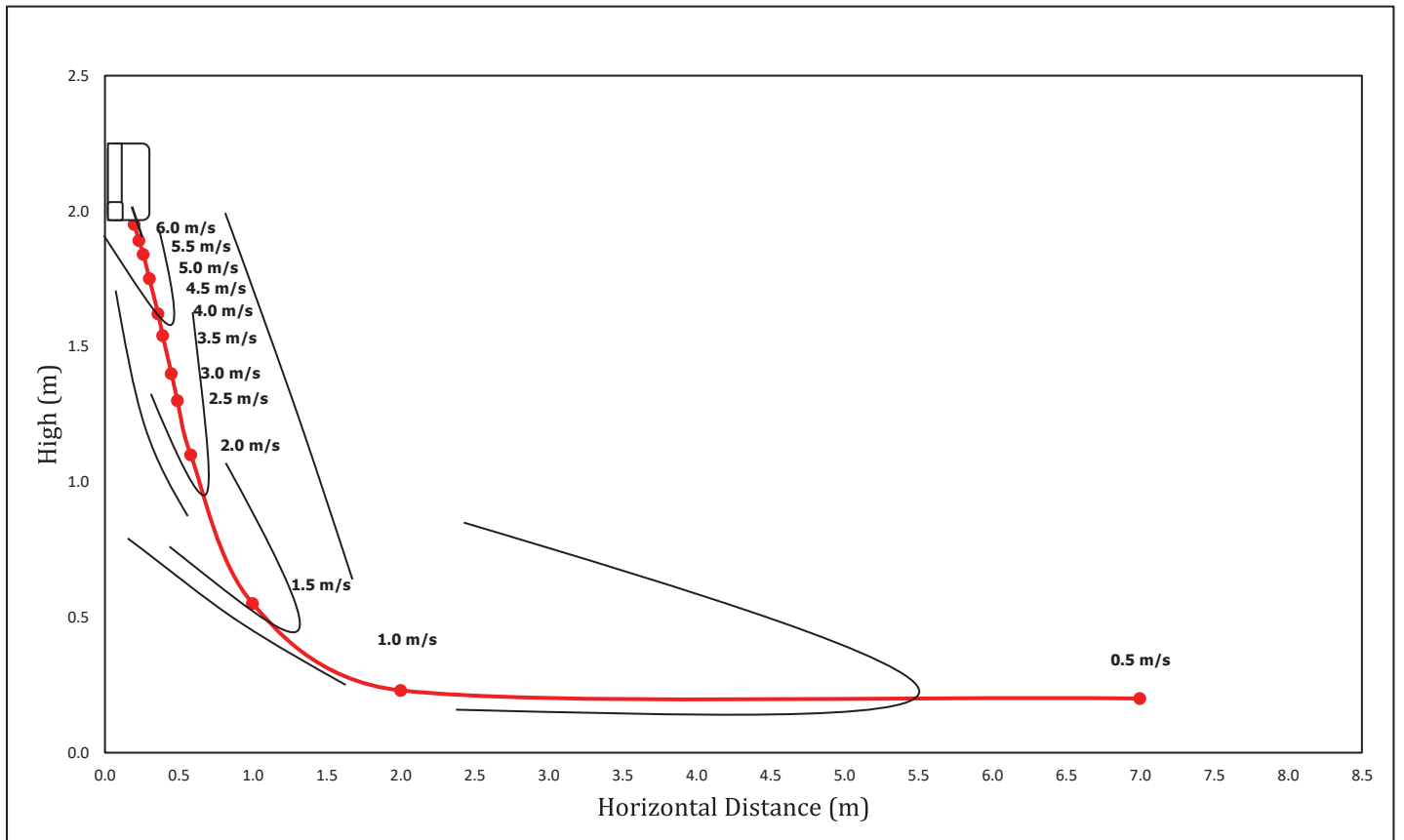


Indoor Unit : RAS-B07B2KVG-E ; RAS-07B2AVG-E

Cooling

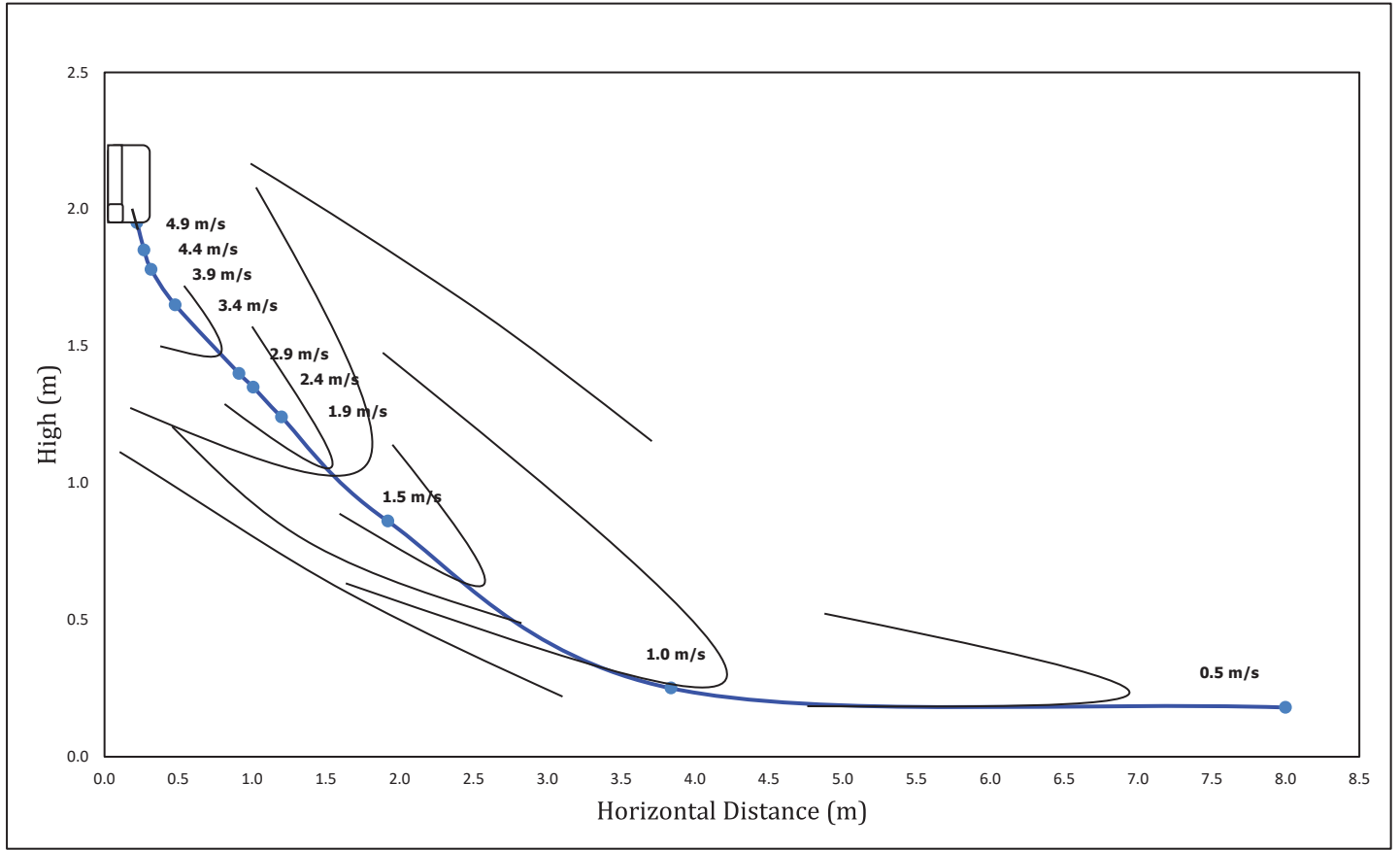


Heating

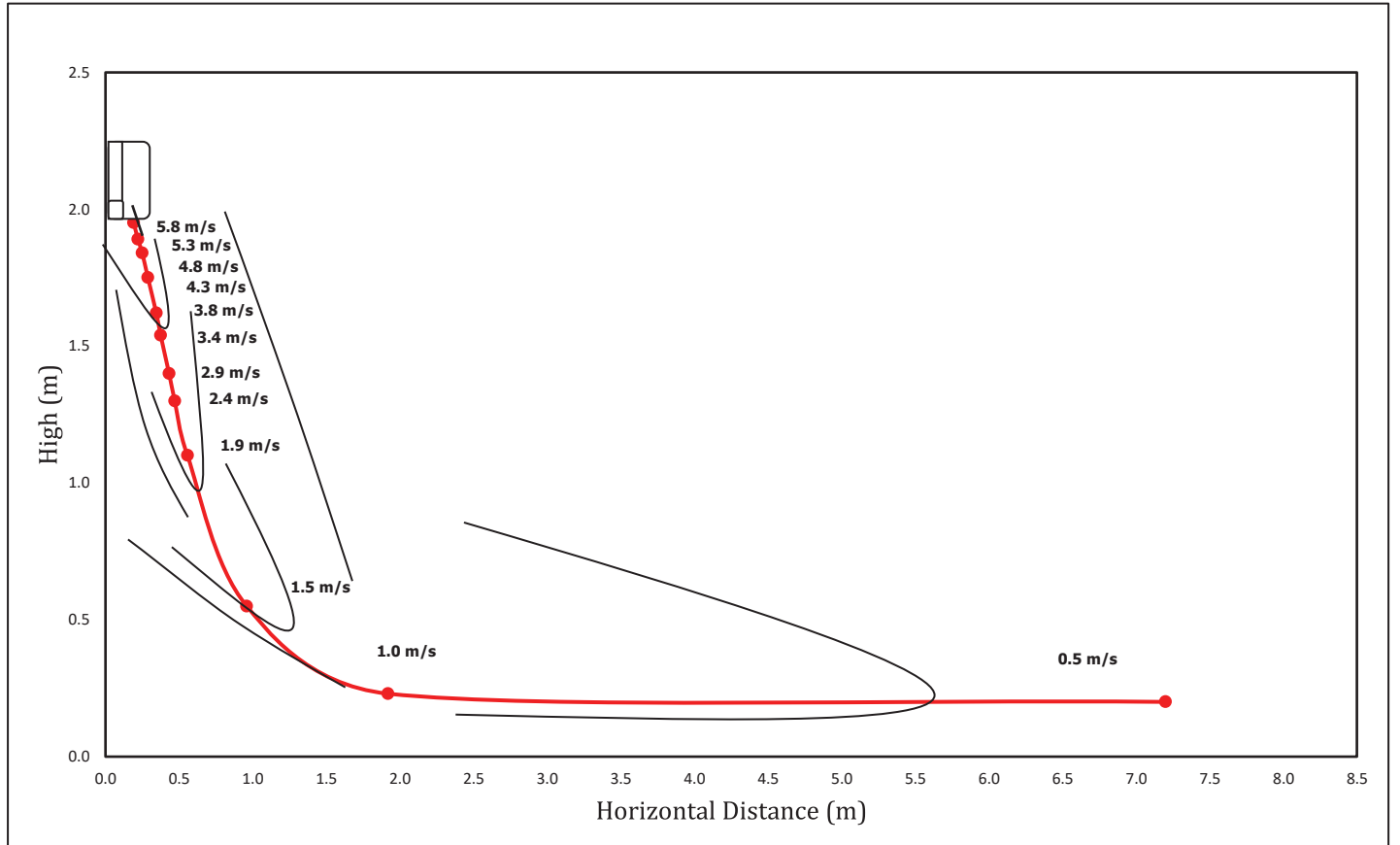


Indoor Unit : RAS-B10B2KVG-E ; RAS-10B2AVG-E

Cooling

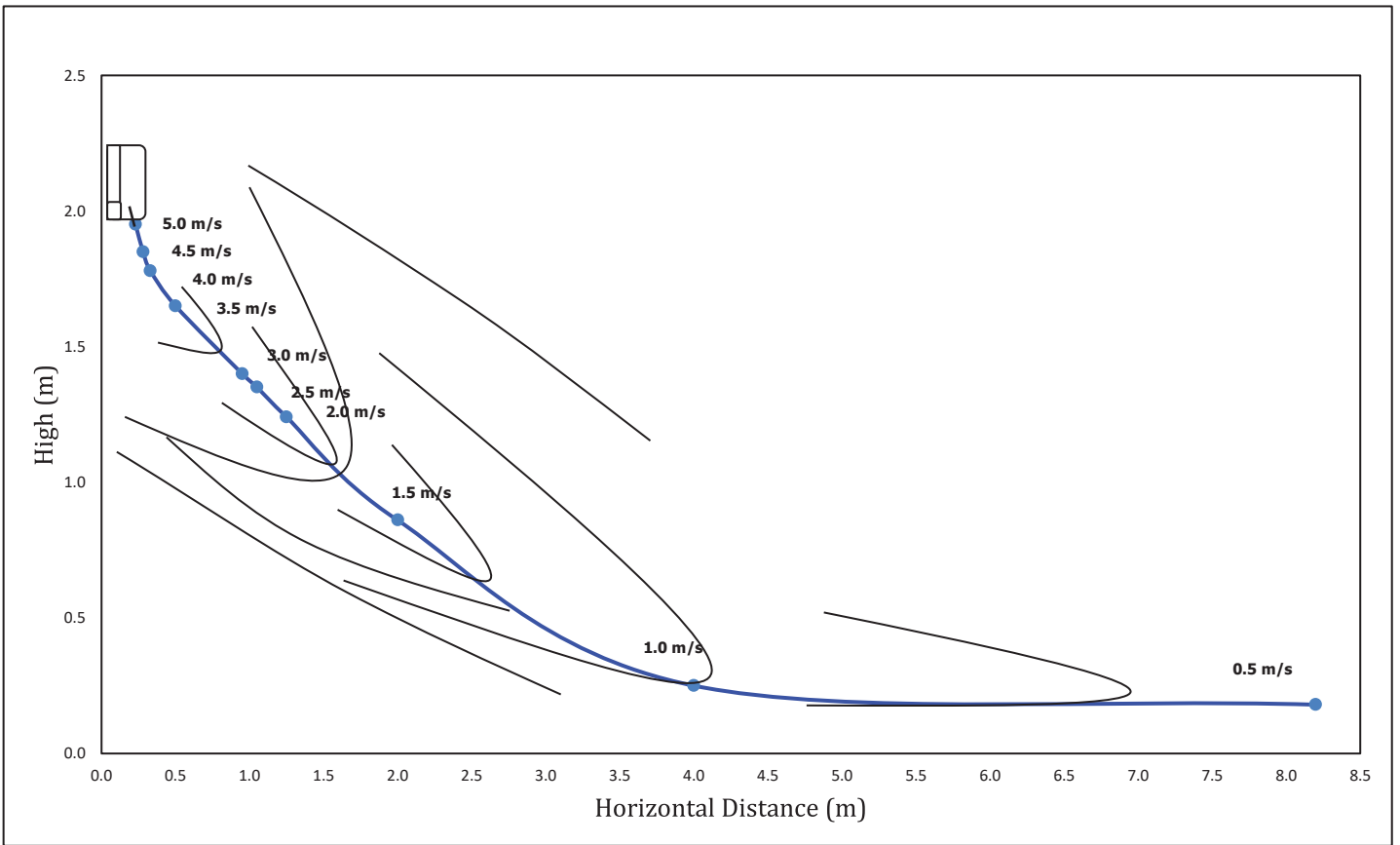


Heating

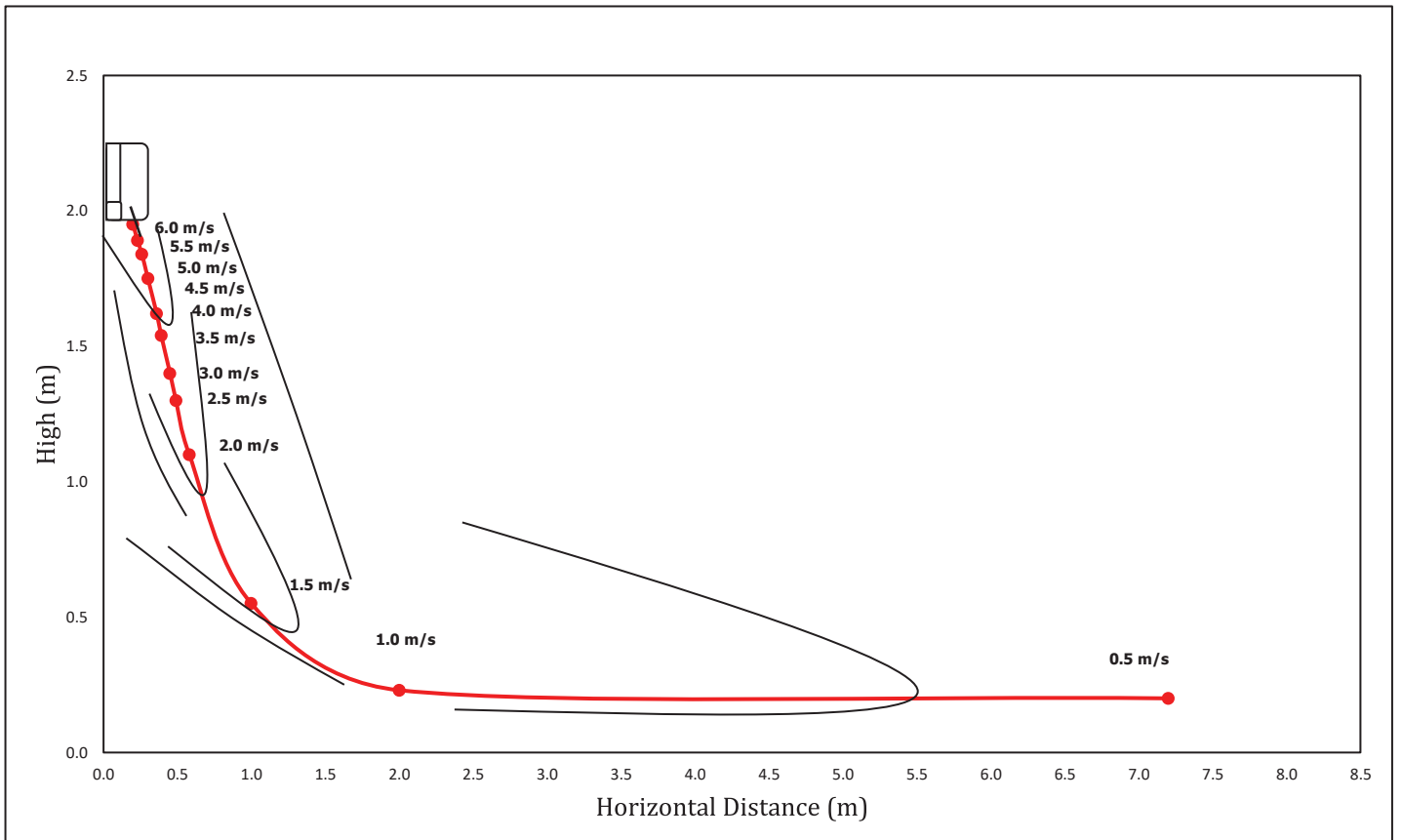


Indoor Unit : RAS-B13B2KVG-E ; RAS-13B2AVG-E

Cooling

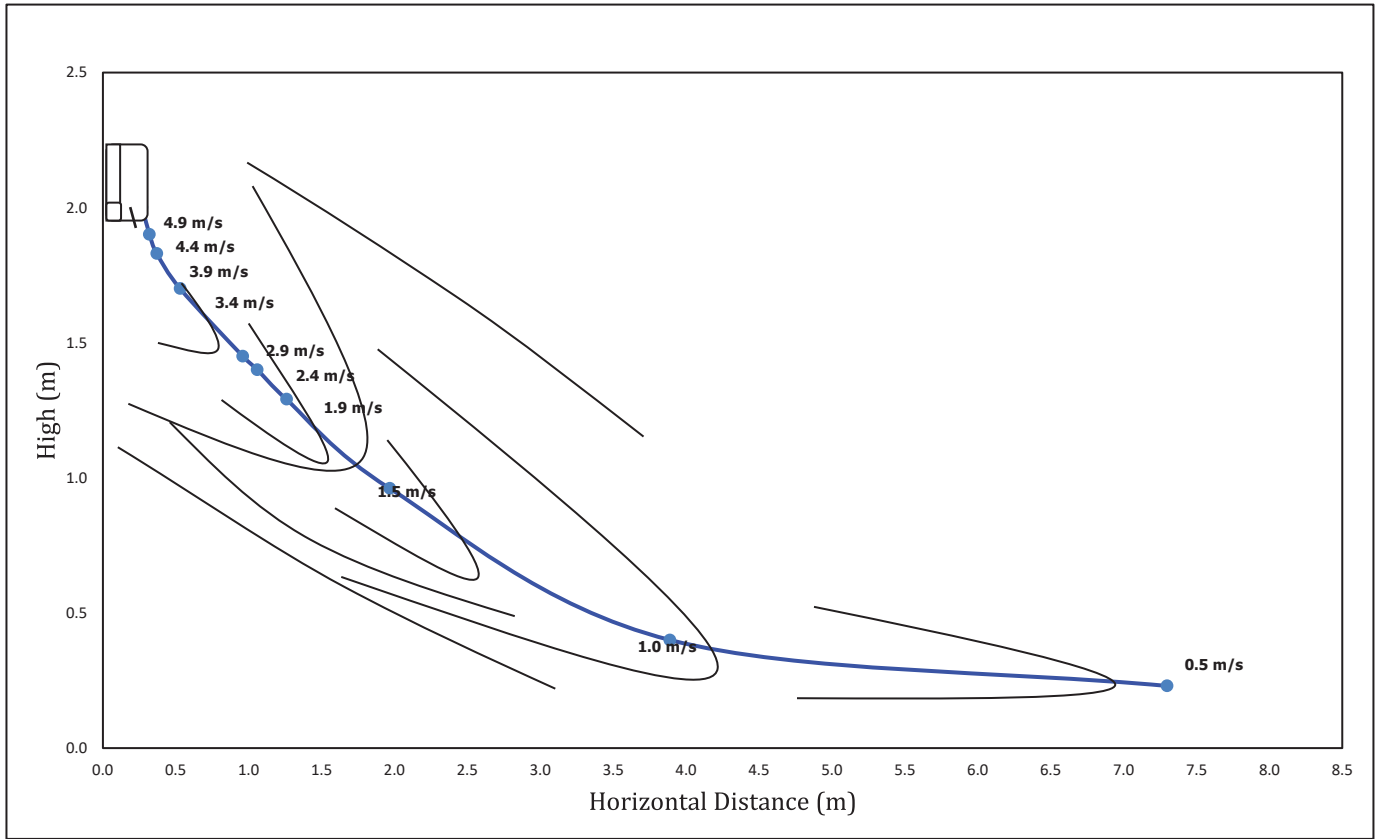


Heating

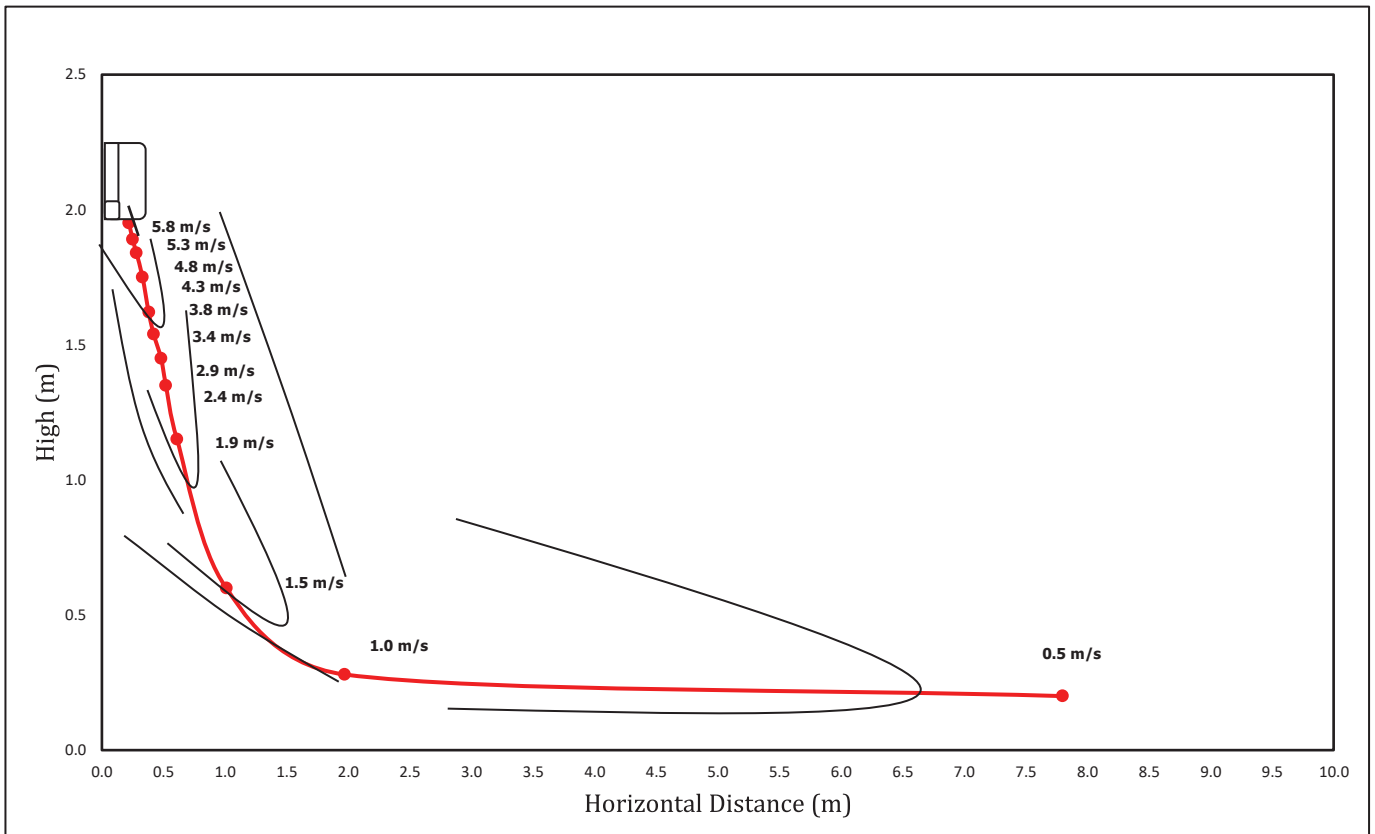


Indoor Unit : RAS-B16B2KVG-E ; RAS-16B2AVG-E

Cooling

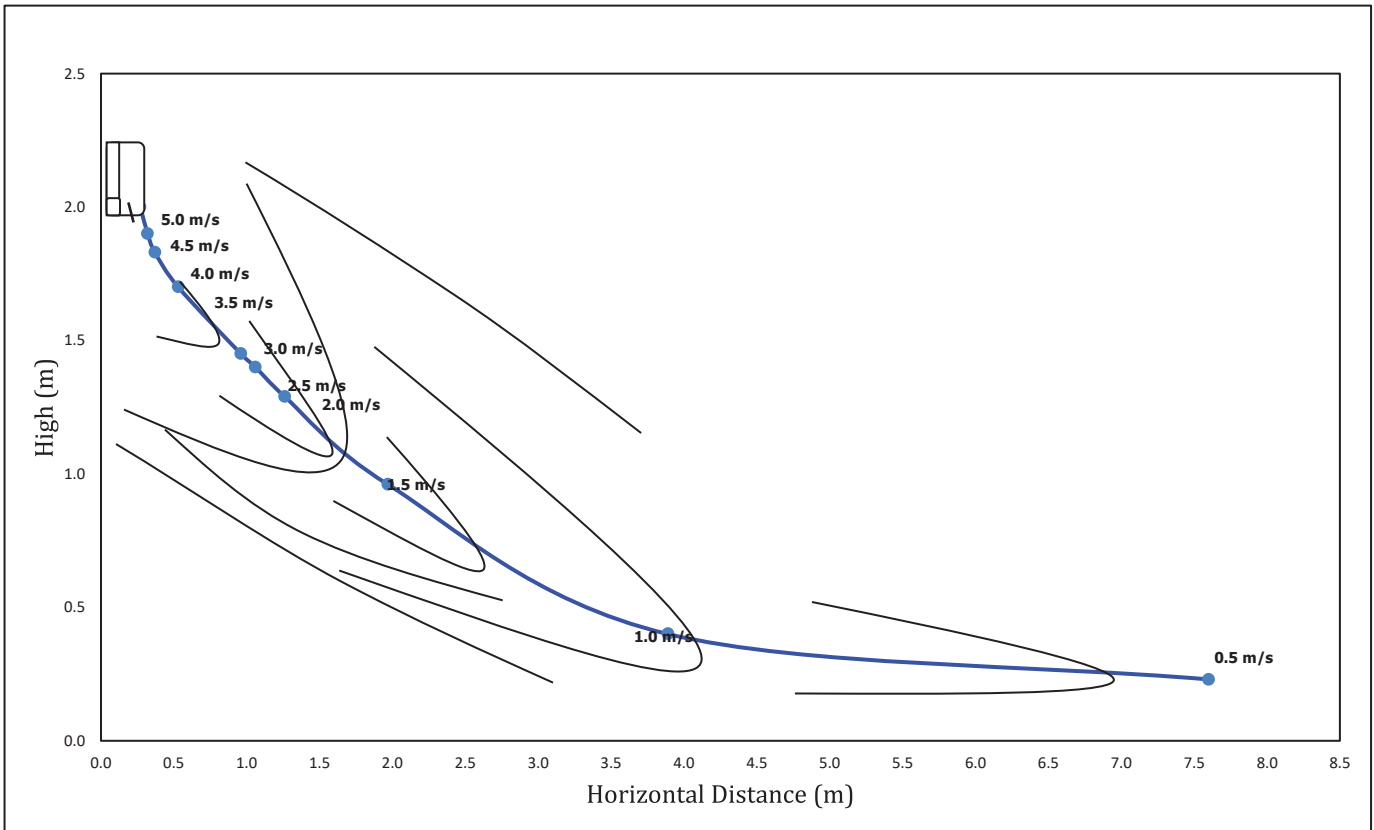


Heating

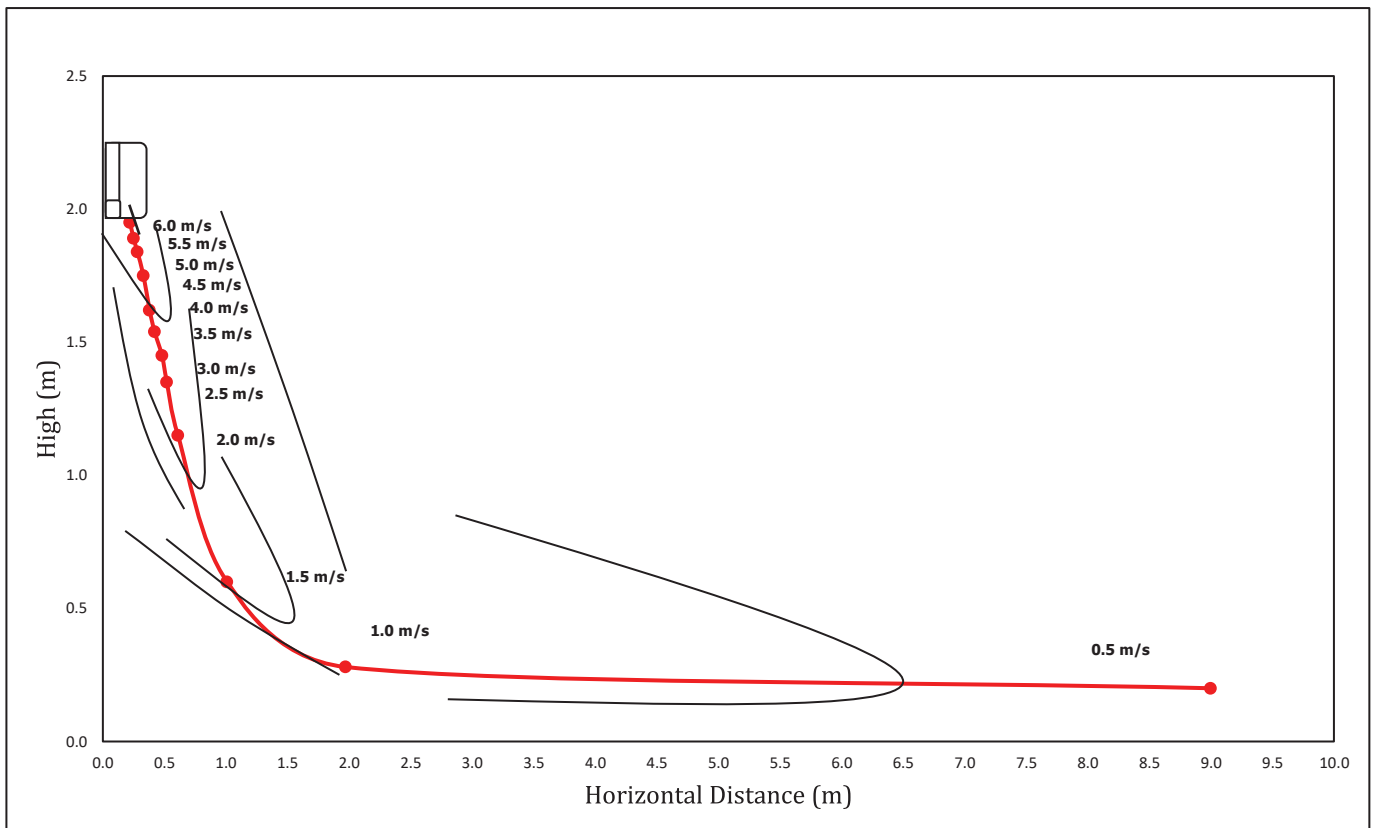


Indoor Unit : RAS-B18B2KVG-E ; RAS-18B2AVG-E

Cooling

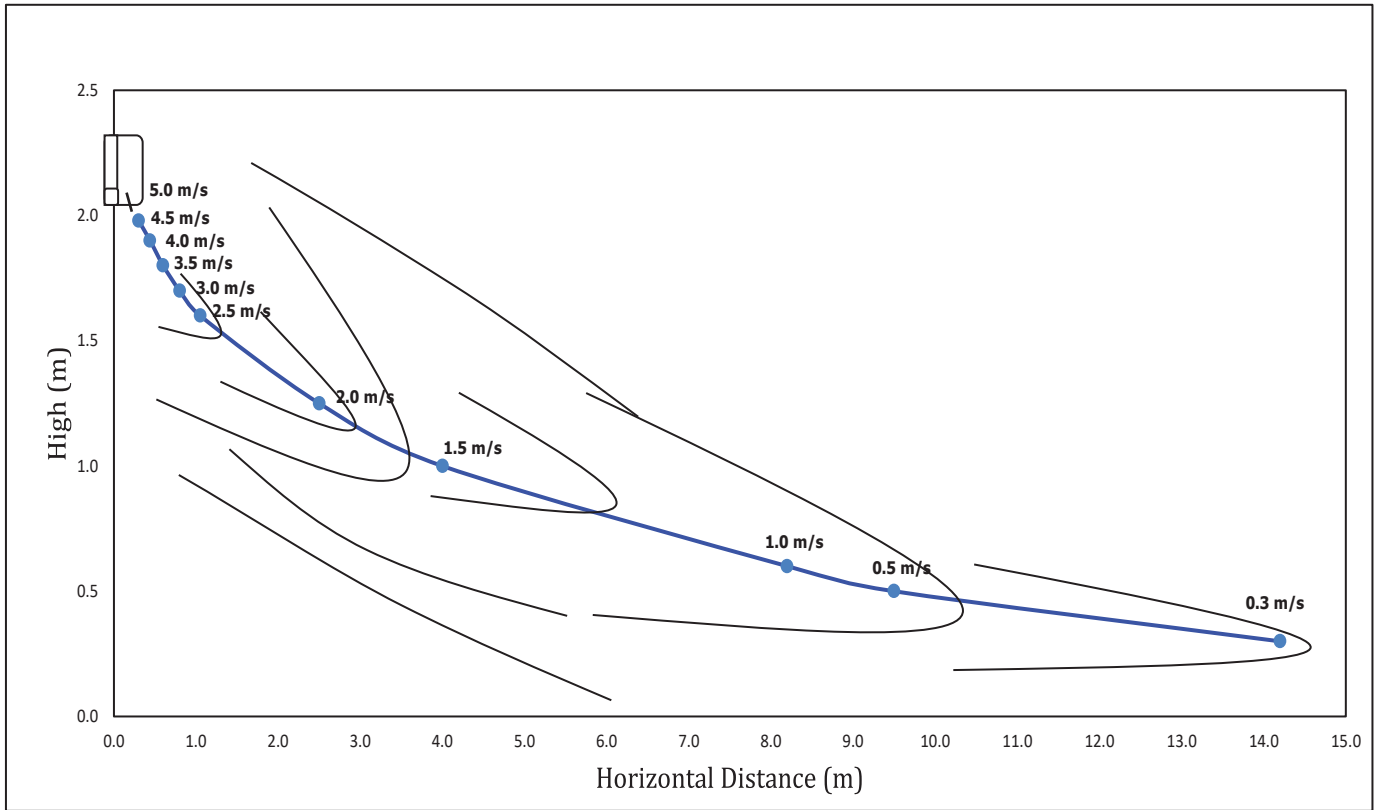


Heating

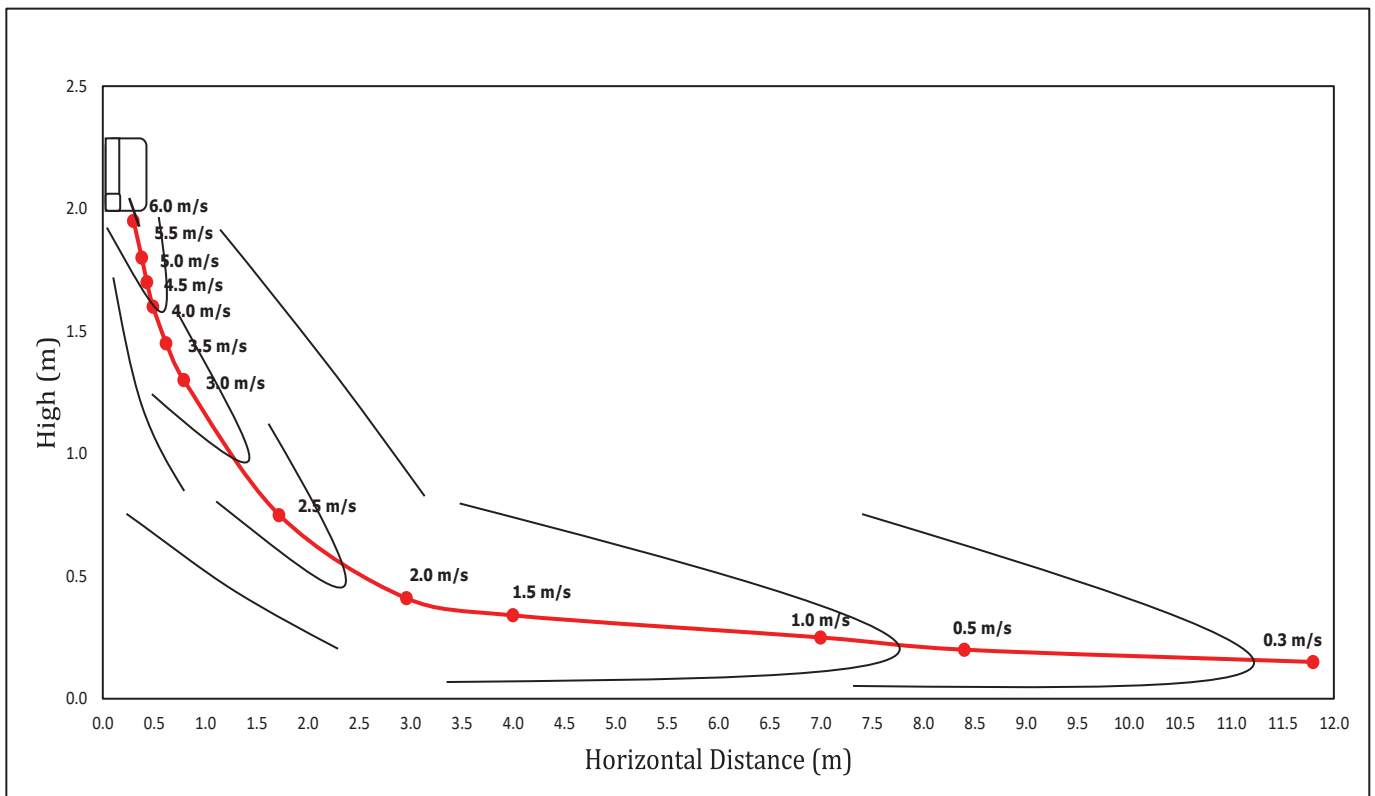


Indoor Unit : RAS-B24B2KVG-E ; RAS-24B2AVG-E

Cooling



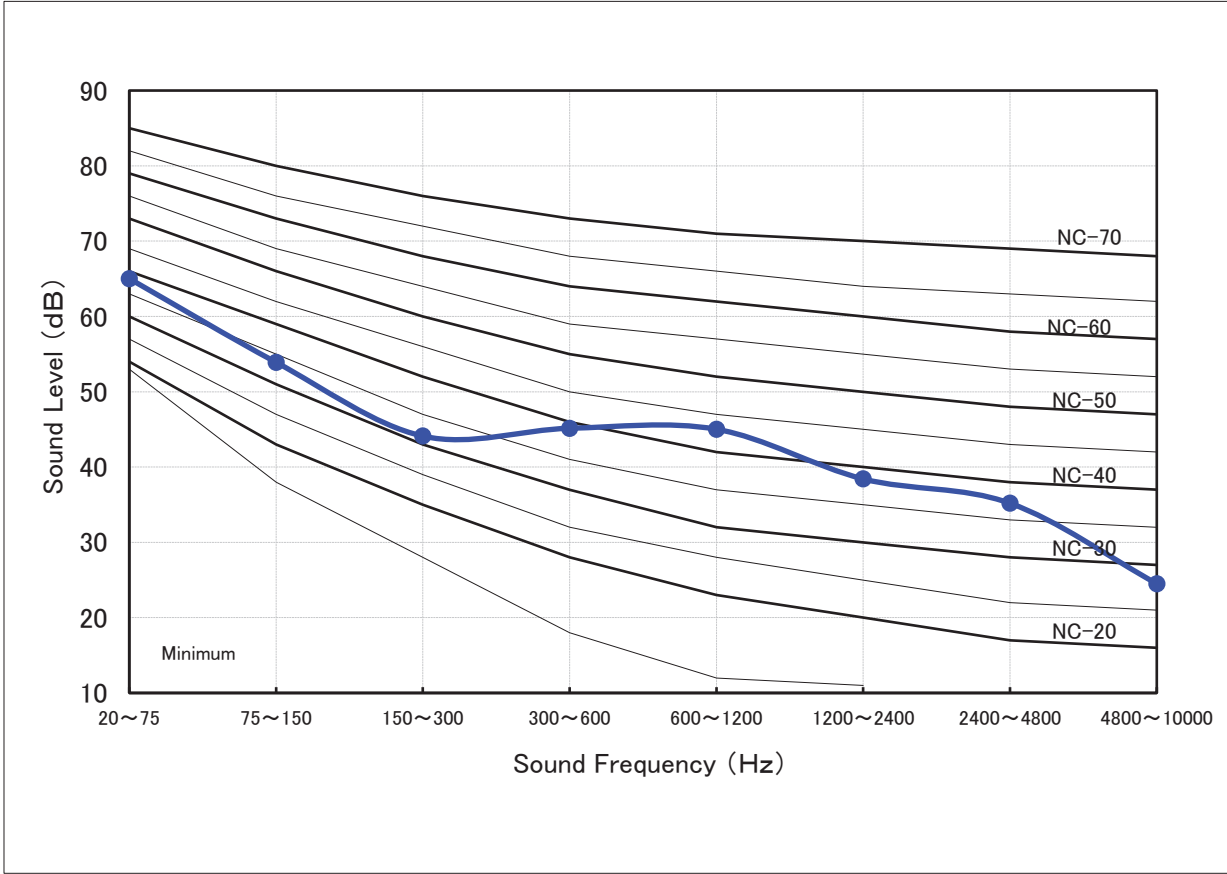
Heating



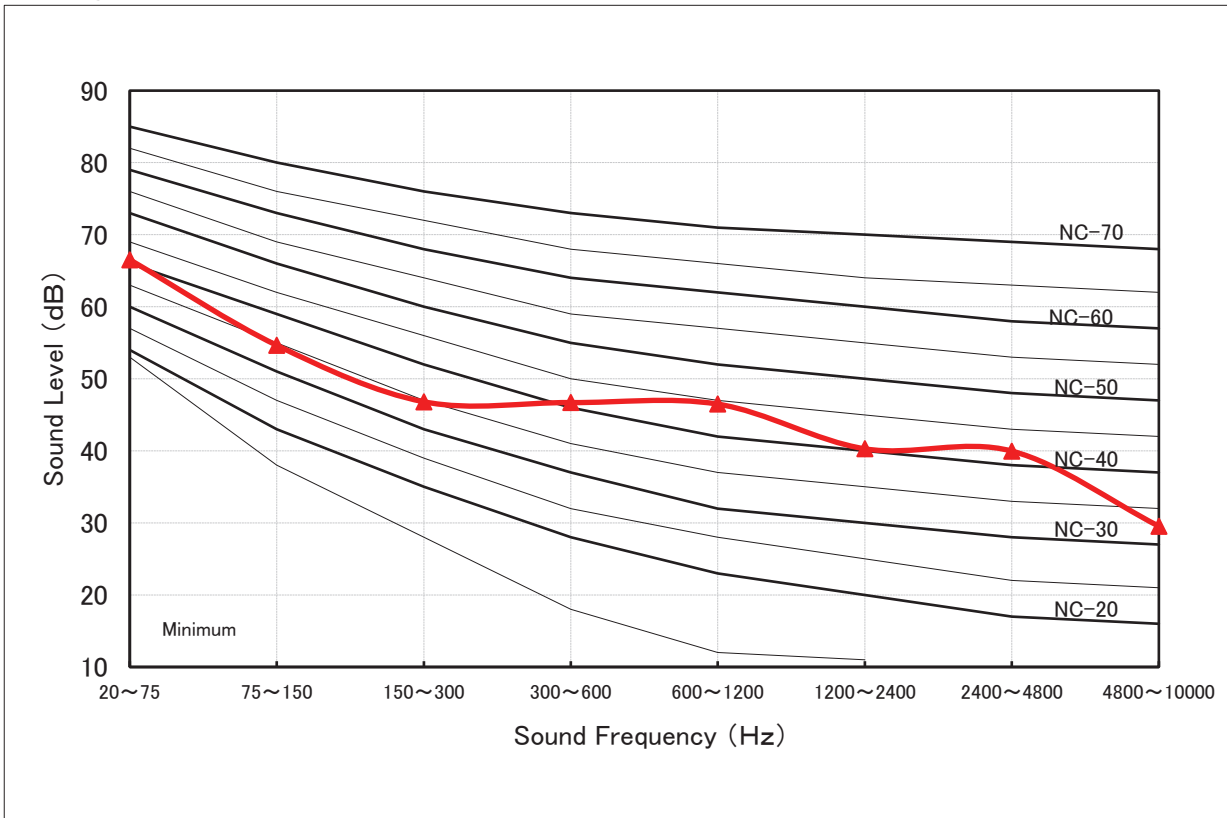
7. Sound Characteristics (NC Curve)

Outdoor Unit : RAS-05B2AVG-E

Measured point	Sound pressure (dB)	
	Cooling	Heating
Horizontal 1.0 m	49	50



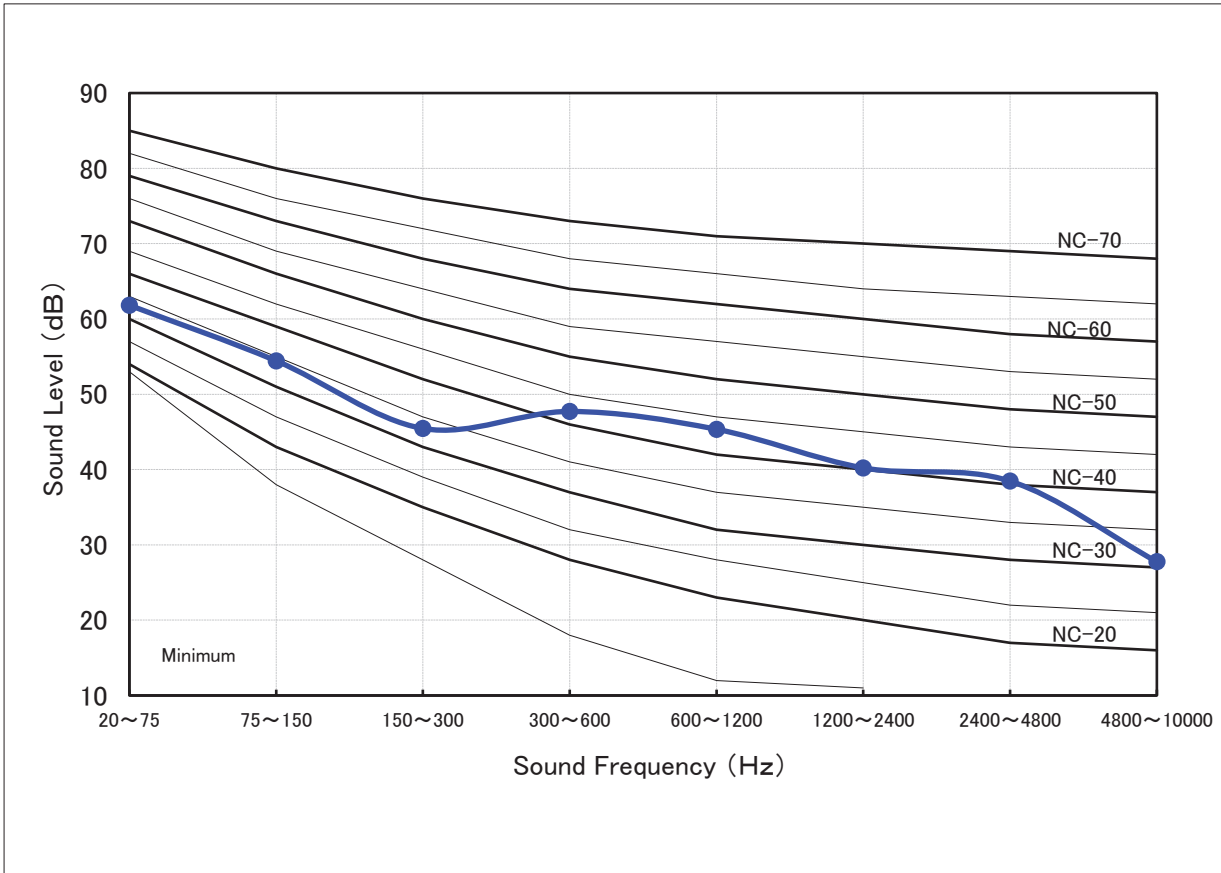
Heating



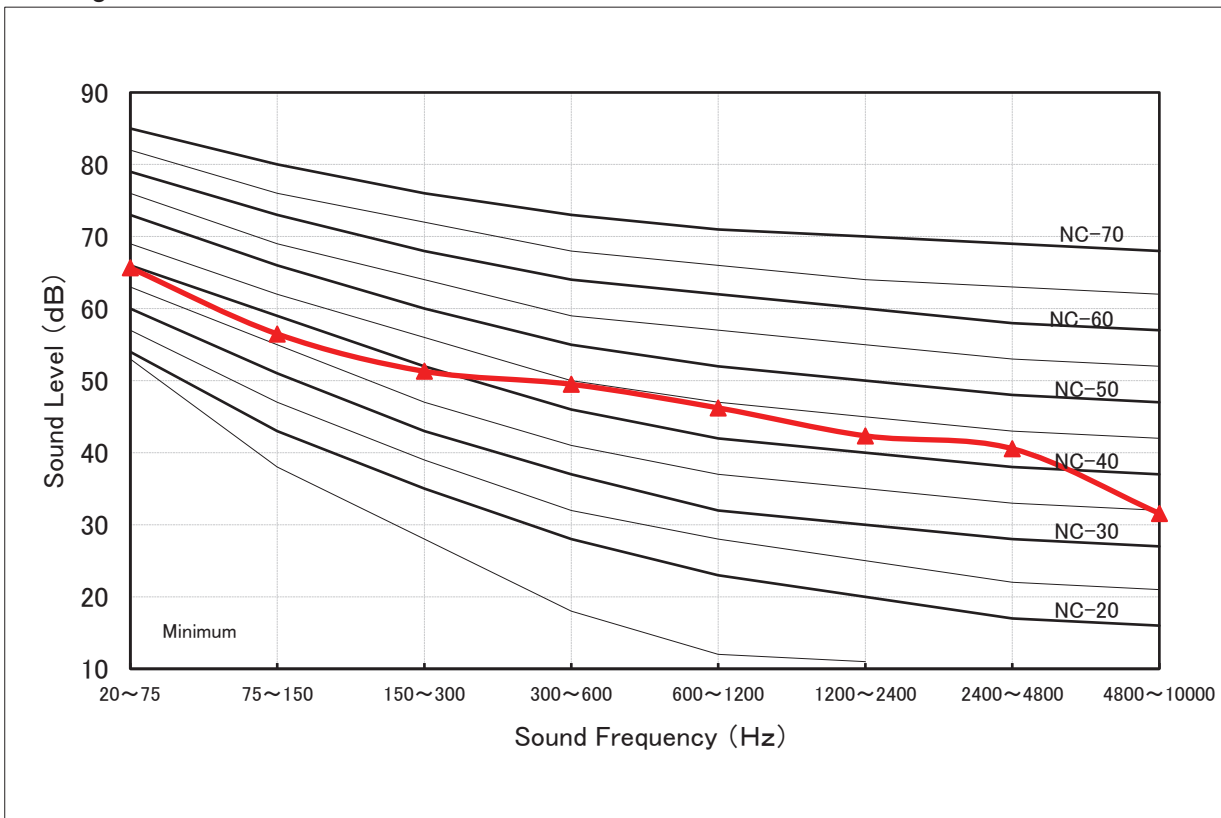
Outdoor Unit : RAS-07B2AVG-E

Measured point	Sound pressure (dB)	
	Cooling	Heating
Horizontal 1.0 m	49	51

Cooling



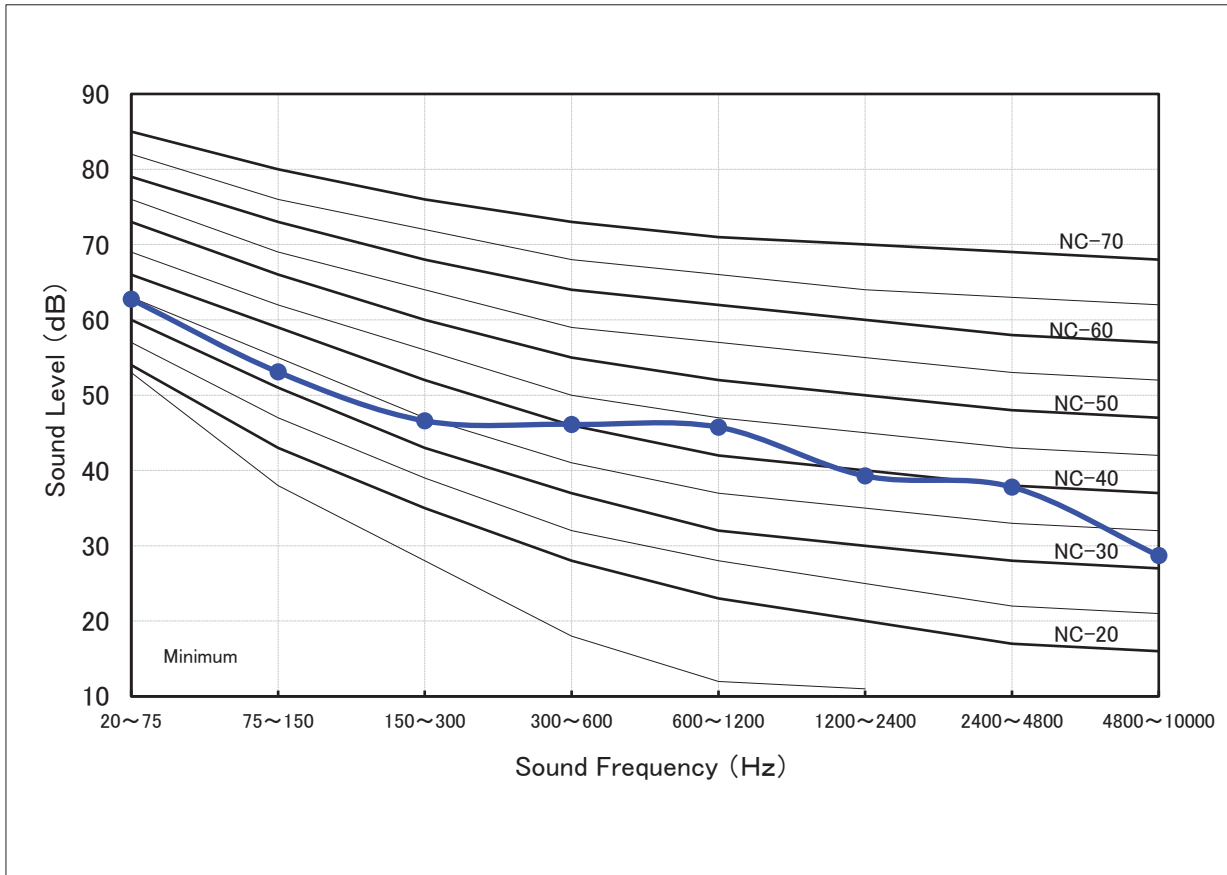
Heating



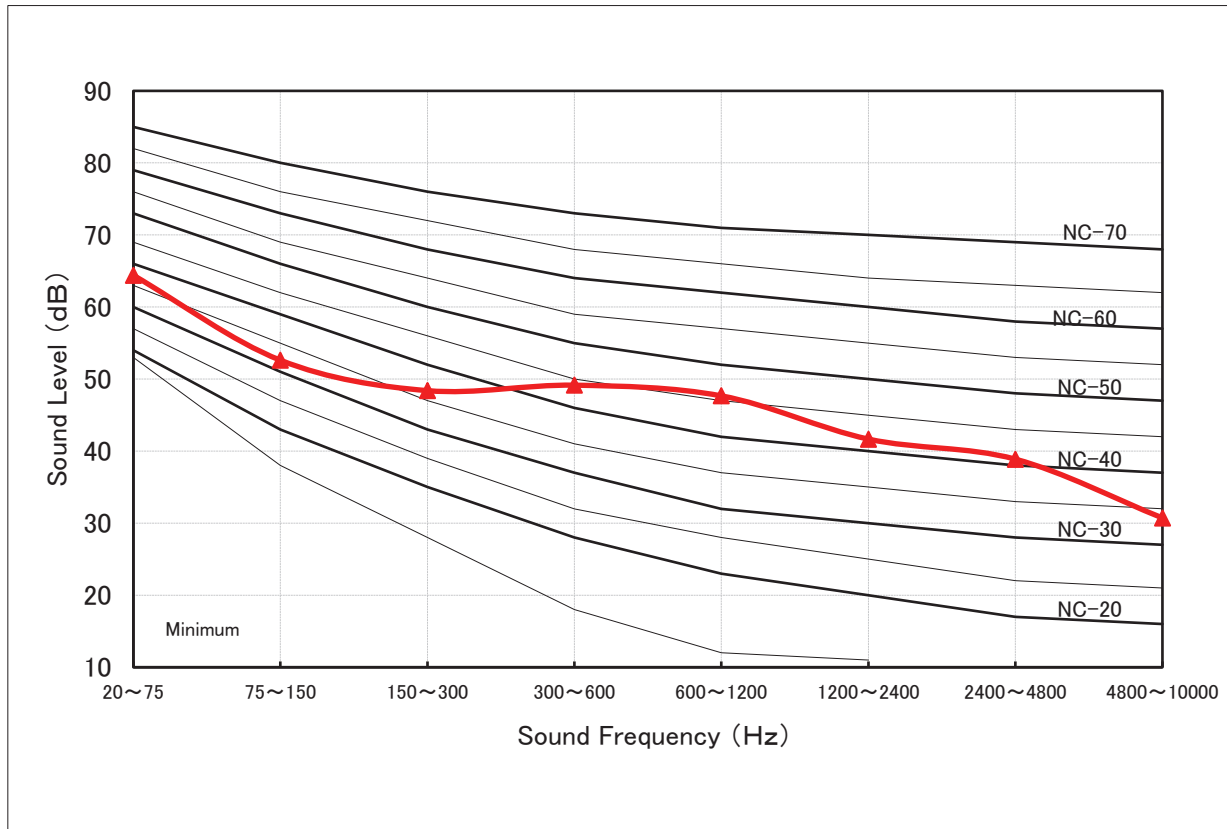
Outdoor Unit : RAS-10B2AVG-E

Measured point	Sound pressure (dB)	
	Cooling	Heating
Horizontal 1.0 m	49	51

Cooling



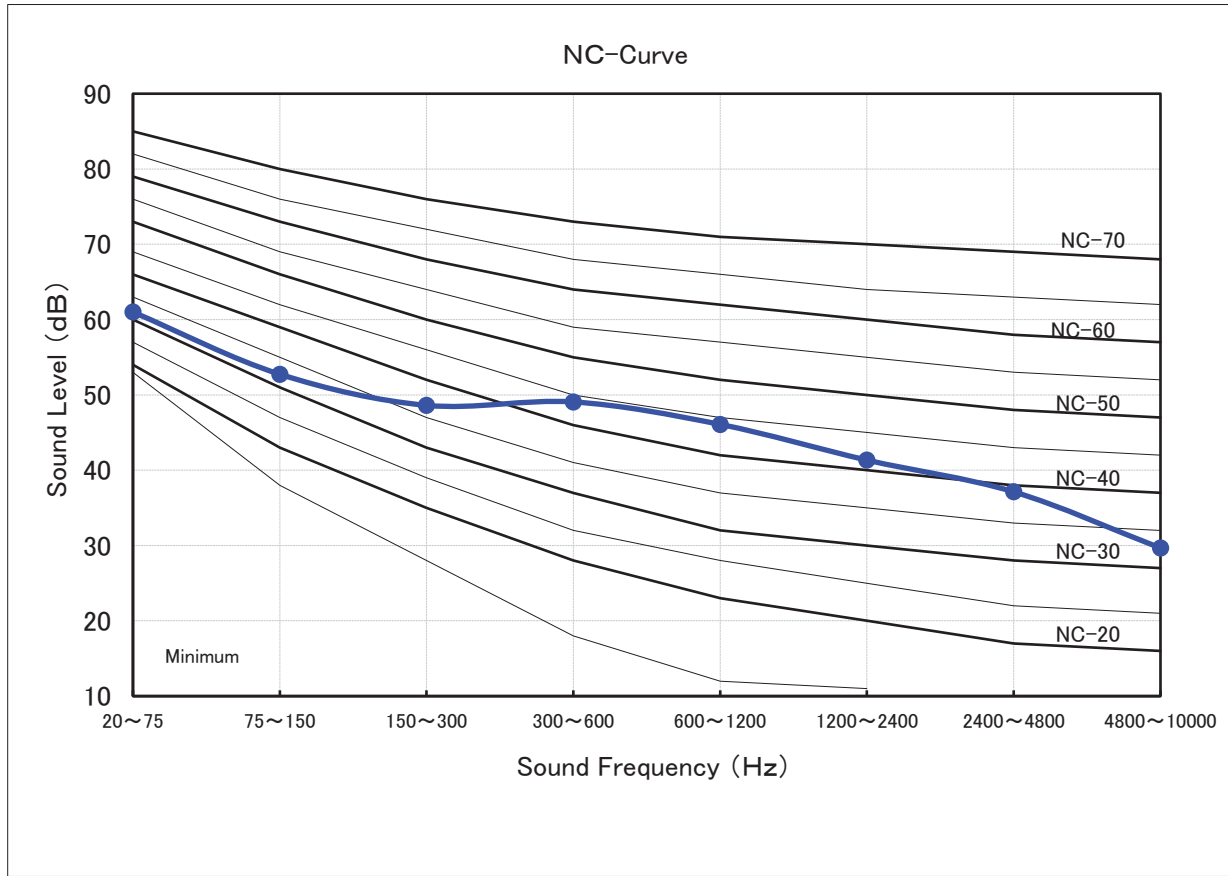
Heating



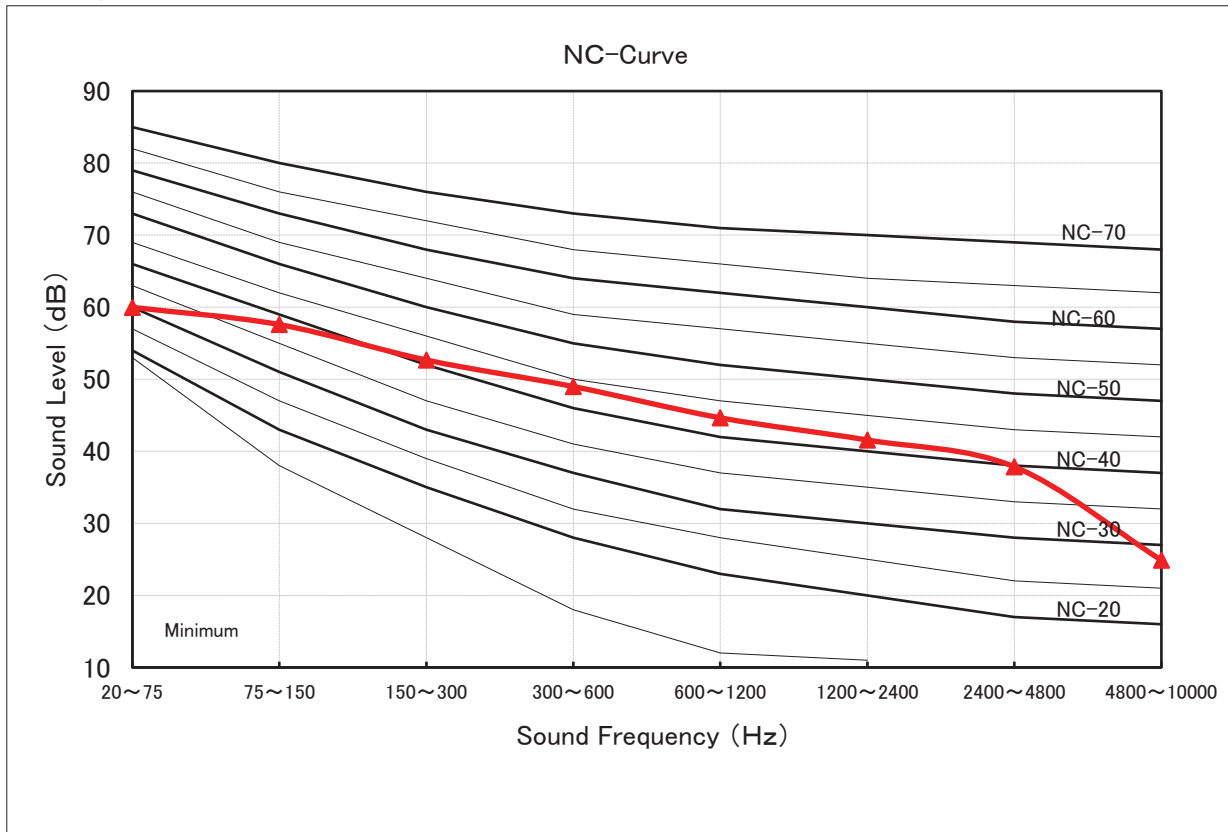
Outdoor Unit : RAS-13B2AVG-E

Measured point	Sound pressure (dB)	
	Cooling	Heating
Horizontal 1.0 m	50	52

Cooling



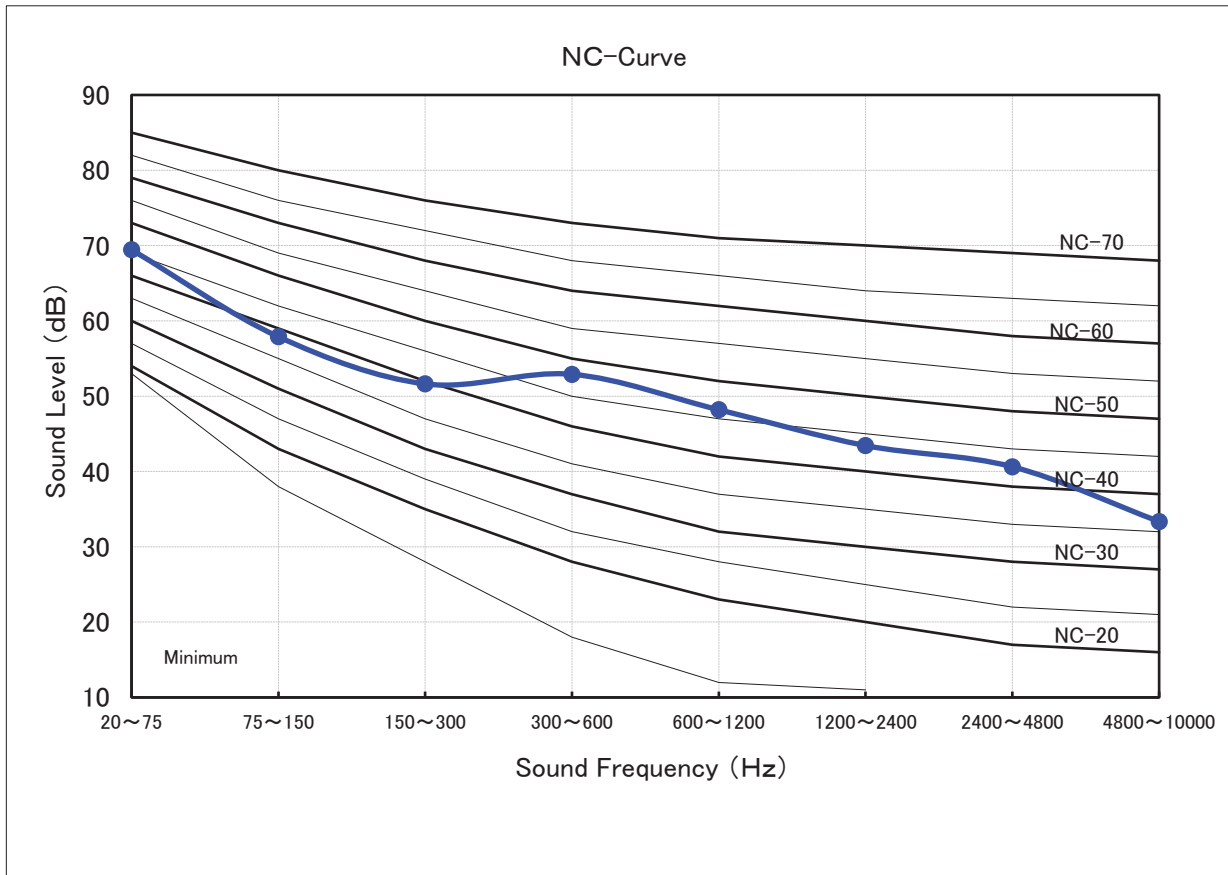
Heating



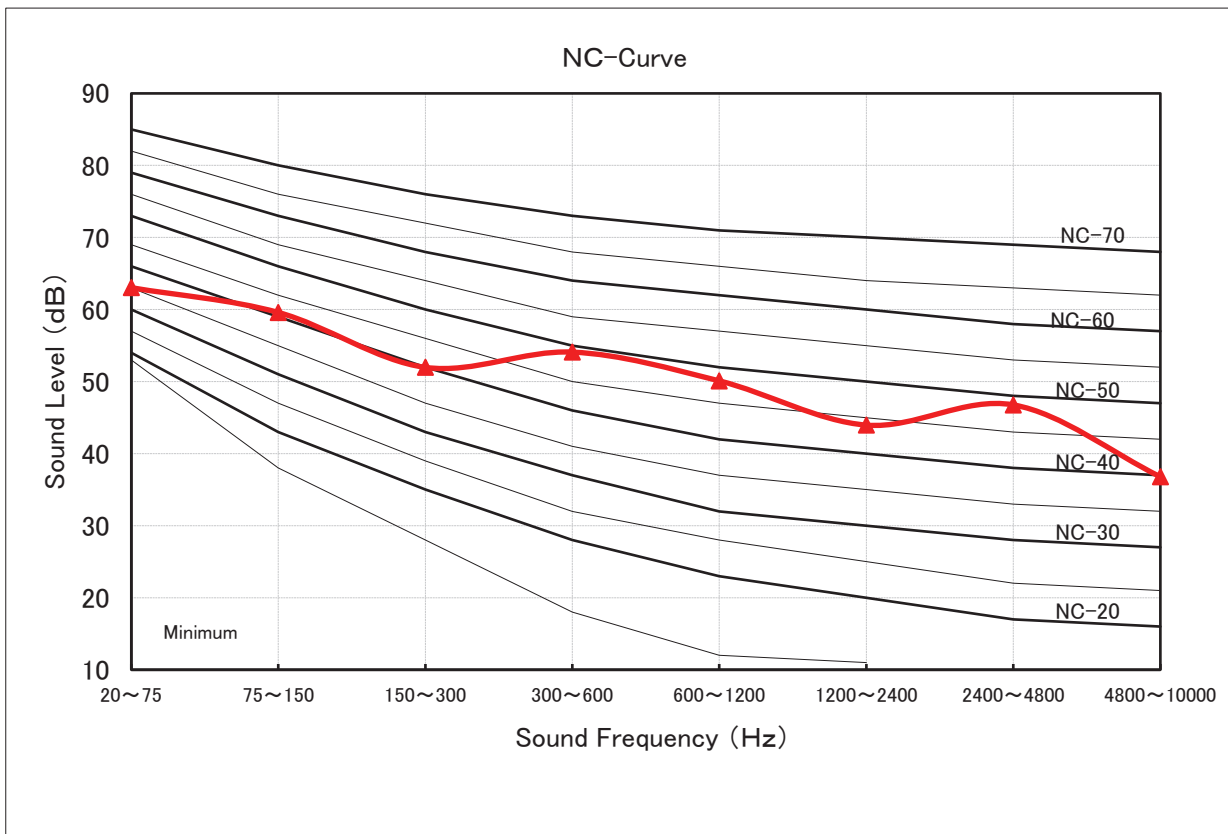
Outdoor Unit : RAS-16B2AVG-E

Measured point	Sound pressure (dB)	
	Cooling	Heating
Horizontal 1.0 m	52	53

Cooling



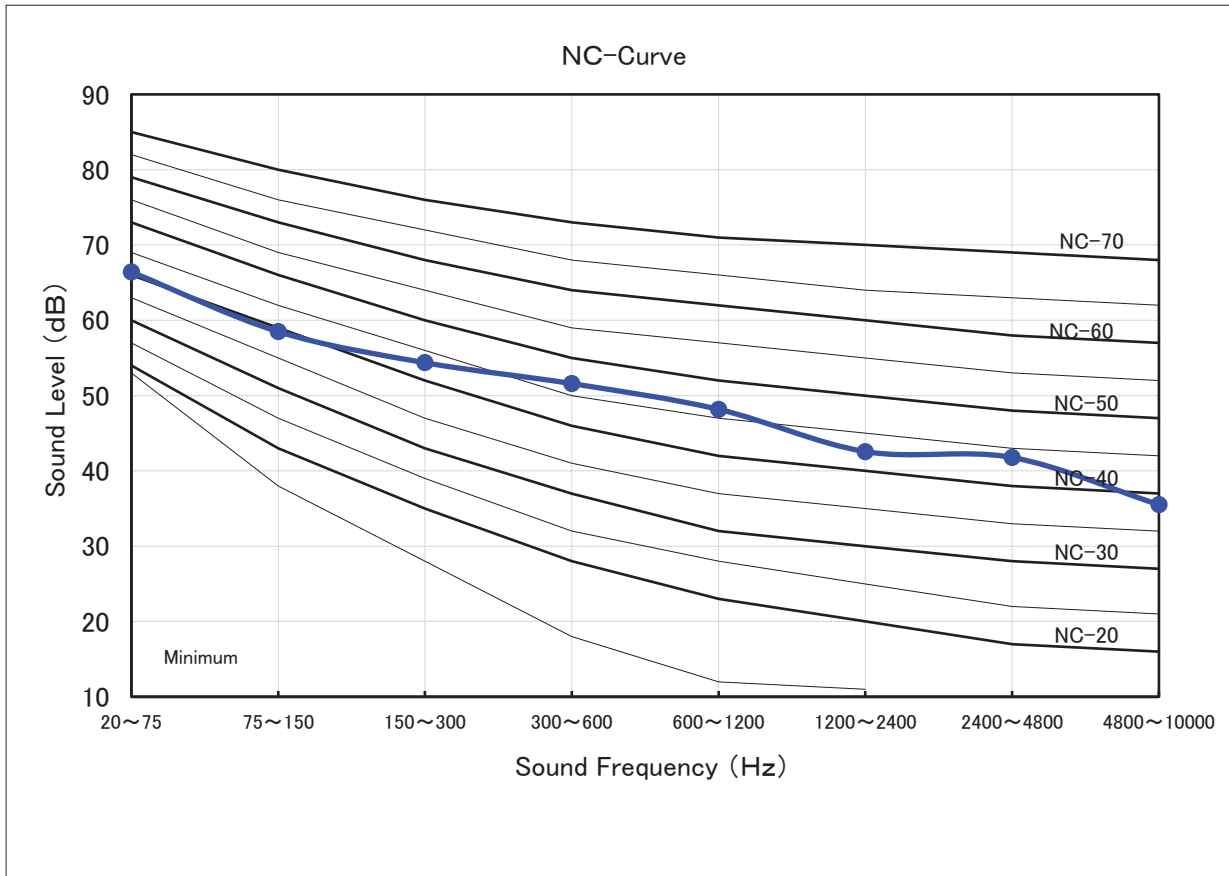
Heating



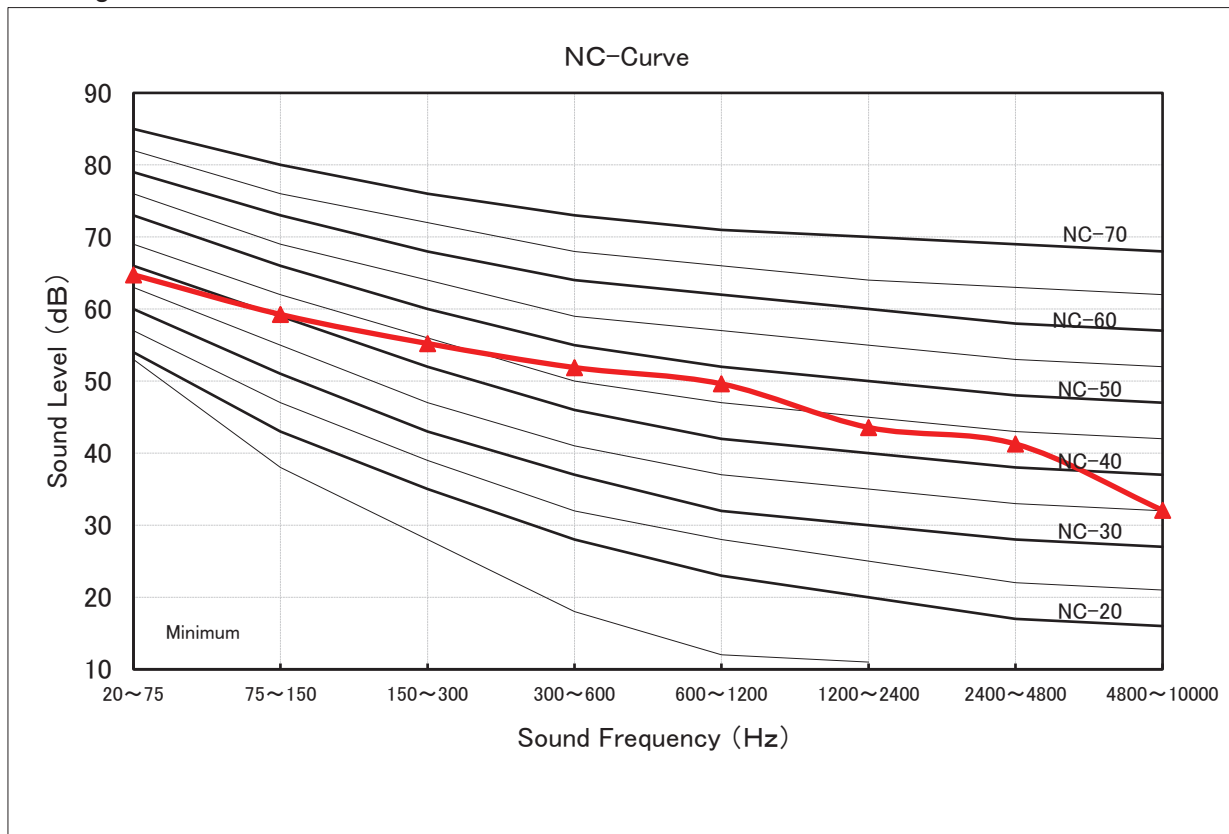
Outdoor Unit : RAS-18B2AVG-E

Measured point	Sound pressure (dB)	
	Cooling	Heating
Horizontal 1.0 m	52	53

Cooling



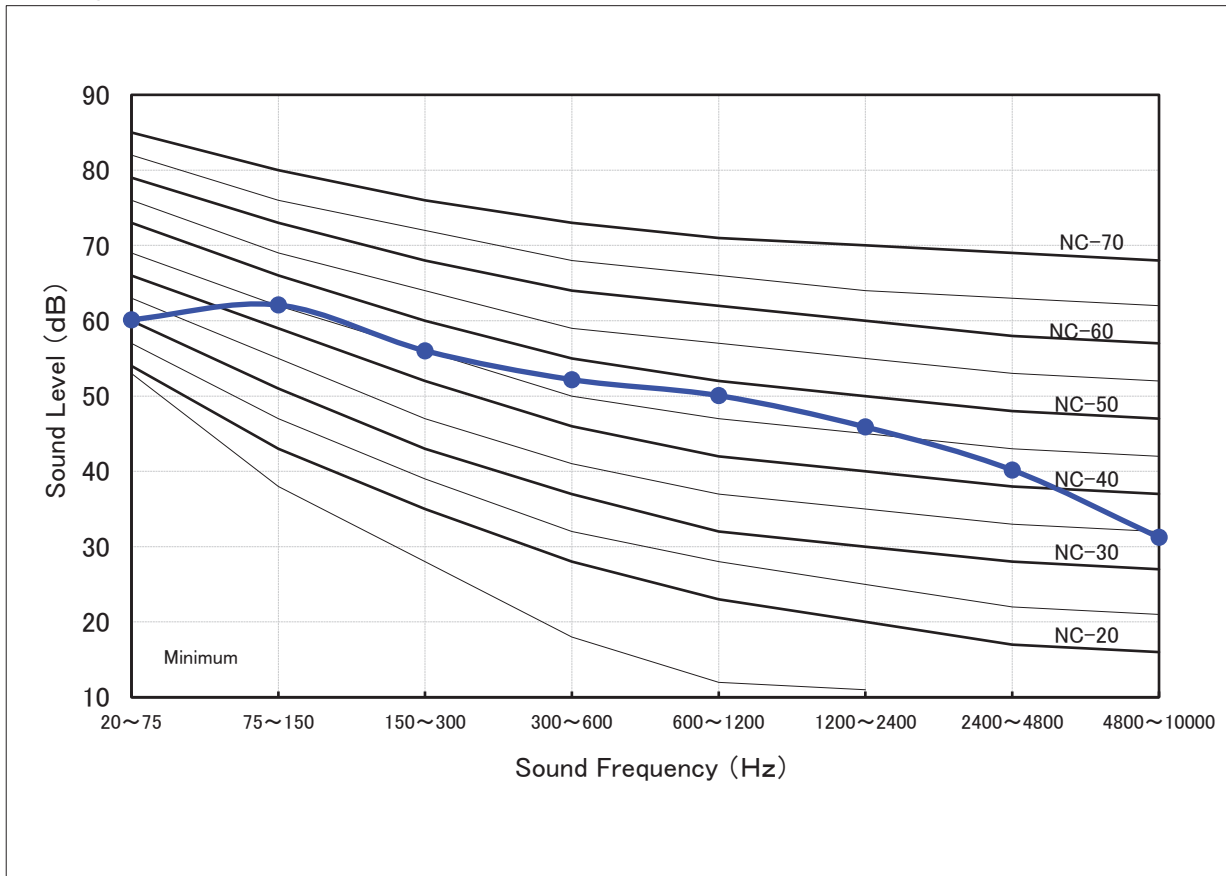
Heating



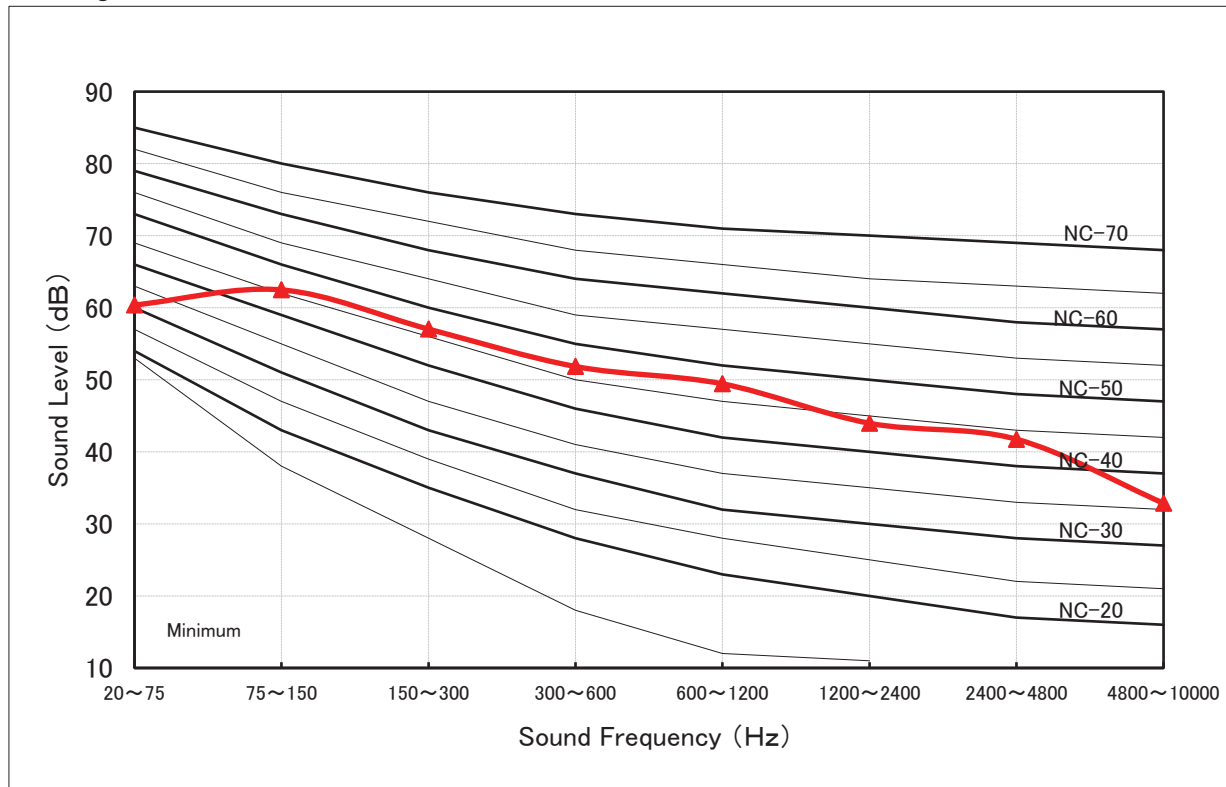
Outdoor Unit : RAS-24B2AVG-E

Measured point	Sound pressure (dB)	
	Cooling	Heating
Horizontal 1.0 m	56	56

Cooling



Heating



8. Capacity Table

Product models : RAS-B05B2KVG-E ; RAS-05B2AVG-E

Specification of product at standard condition

Standard Condition	Indoor	27°C (DB) / 19°C (WB)	Total Cooling Capacity (TC)	1.50 kW
	Outdoor	35°C (DB) / 24°C (WB)	Sensible Heat Capacity (SHC)	1.20 kW

Outdoor air temperature DB (°C)	Indoor air temperature													
	20.0°C (DB) 14.0°C (WB)		23.0°C (DB) 16.0°C (WB)		26.0°C (DB) 18.0°C (WB)		27.0°C (DB) 19.0°C (WB)		28.0°C (DB) 20.0°C (WB)		30.0°C (DB) 22.0°C (WB)		32.0°C (DB) 24.0°C (WB)	
	TC	SHC	TC	SHC	TC	SHC	TC	SHC	TC	SHC	TC	SHC	TC	SHC
20	1.47	1.26	1.62	1.35	1.74	1.43	1.79	1.43	1.84	1.43	1.95	1.42	2.04	1.39
21	1.45	1.25	1.61	1.33	1.72	1.42	1.77	1.42	1.82	1.41	1.93	1.40	2.02	1.37
22	1.44	1.24	1.59	1.32	1.70	1.40	1.75	1.40	1.80	1.40	1.91	1.39	1.99	1.36
23	1.42	1.22	1.57	1.30	1.68	1.39	1.73	1.38	1.78	1.38	1.89	1.37	1.97	1.34
24	1.41	1.21	1.55	1.29	1.66	1.37	1.71	1.37	1.76	1.37	1.86	1.36	1.95	1.33
25	1.39	1.20	1.54	1.28	1.64	1.36	1.69	1.35	1.74	1.35	1.84	1.34	1.93	1.31
26	1.37	1.18	1.52	1.26	1.63	1.34	1.67	1.34	1.72	1.34	1.82	1.33	1.91	1.30
27	1.36	1.17	1.50	1.25	1.61	1.33	1.65	1.32	1.70	1.32	1.80	1.31	1.88	1.28
28	1.34	1.16	1.48	1.23	1.59	1.31	1.63	1.31	1.68	1.31	1.78	1.29	1.86	1.27
29	1.33	1.14	1.47	1.22	1.57	1.29	1.62	1.29	1.66	1.29	1.76	1.28	1.84	1.26
30	1.31	1.13	1.45	1.20	1.55	1.28	1.60	1.28	1.64	1.28	1.74	1.26	1.82	1.24
31	1.30	1.12	1.43	1.19	1.53	1.26	1.58	1.26	1.62	1.26	1.72	1.25	1.80	1.23
32	1.28	1.10	1.41	1.17	1.51	1.25	1.56	1.25	1.60	1.25	1.70	1.23	1.77	1.21
33	1.26	1.09	1.40	1.16	1.49	1.23	1.54	1.23	1.58	1.23	1.68	1.22	1.75	1.20
34	1.25	1.07	1.38	1.15	1.48	1.22	1.52	1.22	1.56	1.21	1.65	1.20	1.73	1.18
35	1.23	1.06	1.36	1.13	1.46	1.20	1.50	1.20	1.54	1.20	1.63	1.19	1.71	1.17
36	1.22	1.05	1.34	1.12	1.44	1.19	1.48	1.18	1.52	1.18	1.61	1.17	1.69	1.15
37	1.20	1.03	1.33	1.10	1.42	1.17	1.46	1.17	1.50	1.17	1.59	1.16	1.67	1.14
38	1.18	1.02	1.31	1.09	1.40	1.16	1.44	1.15	1.48	1.15	1.57	1.14	1.64	1.12
39	1.17	1.01	1.29	1.07	1.38	1.14	1.42	1.14	1.46	1.14	1.55	1.13	1.62	1.11
40	1.15	0.99	1.27	1.06	1.36	1.12	1.40	1.12	1.44	1.12	1.53	1.11	1.60	1.09
41	1.14	0.98	1.26	1.04	1.34	1.11	1.38	1.11	1.42	1.11	1.51	1.10	1.58	1.08
42	1.12	0.97	1.24	1.03	1.33	1.09	1.37	1.09	1.40	1.09	1.49	1.08	1.56	1.06
43	1.11	0.95	1.22	1.01	1.31	1.08	1.35	1.08	1.38	1.08	1.47	1.07	1.53	1.05
44	1.09	0.94	1.20	1.00	1.29	1.06	1.33	1.06	1.36	1.06	1.45	1.05	1.51	1.03
45	1.07	0.92	1.19	0.99	1.27	1.05	1.31	1.05	1.34	1.05	1.42	1.04	1.49	1.02
46	1.06	0.91	1.17	0.97	1.25	1.03	1.29	1.03	1.33	1.03	1.40	1.02	1.47	1.00

TC : Total Capacity [kW]

SHC : Sensible Heat Capacity [kW]

Product models : RAS-B07B2KVG-E ; RAS-07B2AVG-E

Specification of product at standard condition

Standard Condition	Indoor	27°C (DB) / 19°C (WB)	Total Cooling Capacity (TC)	2.00 kW
	Outdoor	35°C (DB) / 24°C (WB)		Sensible Heat Capacity (SHC)

Outdoor air temperature DB (°C)	Indoor air temperature													
	20.0°C (DB) 14.0°C (WB)		23.0°C (DB) 16.0°C (WB)		26.0°C (DB) 18.0°C (WB)		27.0°C (DB) 19.0°C (WB)		28.0°C (DB) 20.0°C (WB)		30.0°C (DB) 22.0°C (WB)		32.0°C (DB) 24.0°C (WB)	
	TC	SHC	TC	SHC	TC	SHC	TC	SHC	TC	SHC	TC	SHC	TC	SHC
20	1.96	1.65	2.16	1.75	2.32	1.87	2.39	1.86	2.45	1.86	2.60	1.84	2.72	1.80
21	1.94	1.63	2.14	1.74	2.29	1.84	2.36	1.84	2.43	1.84	2.57	1.82	2.69	1.78
22	1.92	1.61	2.12	1.72	2.27	1.82	2.33	1.82	2.40	1.82	2.54	1.80	2.66	1.76
23	1.90	1.59	2.09	1.70	2.24	1.80	2.31	1.80	2.37	1.80	2.51	1.78	2.63	1.74
24	1.87	1.58	2.07	1.68	2.22	1.78	2.28	1.78	2.35	1.78	2.49	1.76	2.60	1.72
25	1.85	1.56	2.05	1.66	2.19	1.76	2.26	1.76	2.32	1.76	2.46	1.74	2.57	1.70
26	1.83	1.54	2.02	1.64	2.17	1.74	2.23	1.74	2.29	1.74	2.43	1.72	2.54	1.68
27	1.81	1.52	2.00	1.62	2.14	1.72	2.21	1.72	2.27	1.72	2.40	1.70	2.51	1.66
28	1.79	1.51	1.98	1.60	2.12	1.70	2.18	1.70	2.24	1.70	2.37	1.68	2.48	1.64
29	1.77	1.49	1.95	1.58	2.09	1.68	2.15	1.68	2.22	1.68	2.35	1.66	2.45	1.62
30	1.75	1.47	1.93	1.57	2.07	1.66	2.13	1.66	2.19	1.66	2.32	1.64	2.42	1.60
31	1.73	1.45	1.91	1.55	2.04	1.64	2.10	1.64	2.16	1.64	2.29	1.62	2.40	1.59
32	1.71	1.43	1.88	1.53	2.02	1.62	2.08	1.62	2.14	1.62	2.26	1.60	2.37	1.57
33	1.68	1.42	1.86	1.51	1.99	1.60	2.05	1.60	2.11	1.60	2.23	1.58	2.34	1.55
34	1.66	1.40	1.84	1.49	1.97	1.58	2.03	1.58	2.08	1.58	2.21	1.56	2.31	1.53
35	1.64	1.38	1.81	1.47	1.94	1.56	2.00	1.56	2.06	1.56	2.18	1.54	2.28	1.51
36	1.62	1.36	1.79	1.45	1.92	1.54	1.97	1.54	2.03	1.54	2.15	1.52	2.25	1.49
37	1.60	1.35	1.77	1.43	1.89	1.52	1.95	1.52	2.00	1.52	2.12	1.50	2.22	1.47
38	1.58	1.33	1.74	1.41	1.87	1.50	1.92	1.50	1.98	1.50	2.09	1.48	2.19	1.45
39	1.56	1.31	1.72	1.40	1.84	1.48	1.90	1.48	1.95	1.48	2.07	1.46	2.16	1.43
40	1.54	1.29	1.70	1.38	1.82	1.46	1.87	1.46	1.93	1.46	2.04	1.44	2.13	1.41
41	1.52	1.27	1.67	1.36	1.79	1.44	1.85	1.44	1.90	1.44	2.01	1.42	2.10	1.39
42	1.50	1.26	1.65	1.34	1.77	1.42	1.82	1.42	1.87	1.42	1.98	1.40	2.07	1.37
43	1.47	1.24	1.63	1.32	1.74	1.40	1.79	1.40	1.85	1.40	1.95	1.38	2.04	1.35
44	1.45	1.22	1.60	1.30	1.72	1.38	1.77	1.38	1.82	1.38	1.93	1.36	2.02	1.33
45	1.43	1.20	1.58	1.28	1.69	1.36	1.74	1.36	1.79	1.36	1.90	1.34	1.99	1.31
46	1.41	1.19	1.56	1.26	1.67	1.34	1.72	1.34	1.77	1.34	1.87	1.32	1.96	1.30

TC : Total Capacity [kW]

SHC : Sensible Heat Capacity [kW]

Product models : RAS-B10B2KVG-E ; RAS-10B2AVG-E

Specification of product at standard condition

Standard Condition	Indoor	27°C (DB) / 19°C (WB)	Total Cooling Capacity (TC)	2.50 kW
	Outdoor	35°C (DB) / 24°C (WB)	Sensible Heat Capacity (SHC)	1.90 kW

Outdoor air temperature DB (°C)	Indoor air temperature													
	20.0°C (DB) 14.0°C (WB)		23.0°C (DB) 16.0°C (WB)		26.0°C (DB) 18.0°C (WB)		27.0°C (DB) 19.0°C (WB)		28.0°C (DB) 20.0°C (WB)		30.0°C (DB) 22.0°C (WB)		32.0°C (DB) 24.0°C (WB)	
	TC	SHC	TC	SHC	TC	SHC	TC	SHC	TC	SHC	TC	SHC	TC	SHC
20	2.45	2.01	2.70	2.14	2.90	2.27	2.98	2.27	3.07	2.26	3.25	2.23	3.40	2.18
21	2.42	1.99	2.68	2.12	2.86	2.25	2.95	2.24	3.03	2.24	3.21	2.21	3.36	2.16
22	2.40	1.97	2.65	2.09	2.83	2.22	2.92	2.22	3.00	2.21	3.18	2.18	3.32	2.13
23	2.37	1.95	2.62	2.07	2.80	2.20	2.89	2.19	2.97	2.19	3.14	2.16	3.29	2.11
24	2.34	1.92	2.59	2.05	2.77	2.18	2.85	2.17	2.93	2.16	3.11	2.14	3.25	2.09
25	2.32	1.90	2.56	2.02	2.74	2.15	2.82	2.14	2.90	2.14	3.07	2.11	3.21	2.06
26	2.29	1.88	2.53	2.00	2.71	2.13	2.79	2.12	2.87	2.11	3.04	2.09	3.18	2.04
27	2.26	1.86	2.50	1.98	2.68	2.10	2.76	2.10	2.84	2.09	3.00	2.06	3.14	2.02
28	2.24	1.84	2.47	1.95	2.65	2.08	2.72	2.07	2.80	2.07	2.97	2.04	3.10	1.99
29	2.21	1.82	2.44	1.93	2.62	2.05	2.69	2.05	2.77	2.04	2.93	2.02	3.07	1.97
30	2.19	1.79	2.41	1.91	2.58	2.03	2.66	2.02	2.74	2.02	2.90	1.99	3.03	1.95
31	2.16	1.77	2.38	1.89	2.55	2.00	2.63	2.00	2.70	1.99	2.86	1.97	2.99	1.92
32	2.13	1.75	2.36	1.86	2.52	1.98	2.60	1.97	2.67	1.97	2.83	1.94	2.96	1.90
33	2.11	1.73	2.33	1.84	2.49	1.96	2.56	1.95	2.64	1.94	2.79	1.92	2.92	1.88
34	2.08	1.71	2.30	1.82	2.46	1.93	2.53	1.92	2.60	1.92	2.76	1.90	2.88	1.85
35	2.05	1.69	2.27	1.79	2.43	1.91	2.50	1.90	2.57	1.90	2.72	1.87	2.85	1.83
36	2.03	1.66	2.24	1.77	2.40	1.88	2.47	1.88	2.54	1.87	2.69	1.85	2.81	1.80
37	2.00	1.64	2.21	1.75	2.37	1.86	2.44	1.85	2.51	1.85	2.65	1.82	2.78	1.78
38	1.97	1.62	2.18	1.72	2.34	1.83	2.40	1.83	2.47	1.82	2.62	1.80	2.74	1.76
39	1.95	1.60	2.15	1.70	2.30	1.81	2.37	1.80	2.44	1.80	2.58	1.78	2.70	1.73
40	1.92	1.58	2.12	1.68	2.27	1.78	2.34	1.78	2.41	1.77	2.55	1.75	2.67	1.71
41	1.90	1.56	2.09	1.66	2.24	1.76	2.31	1.75	2.37	1.75	2.51	1.73	2.63	1.69
42	1.87	1.53	2.06	1.63	2.21	1.74	2.28	1.73	2.34	1.73	2.48	1.70	2.59	1.66
43	1.84	1.51	2.03	1.61	2.18	1.71	2.24	1.70	2.31	1.70	2.44	1.68	2.56	1.64
44	1.82	1.49	2.01	1.59	2.15	1.69	2.21	1.68	2.27	1.68	2.41	1.66	2.52	1.62
45	1.79	1.47	1.98	1.56	2.12	1.66	2.18	1.66	2.24	1.65	2.37	1.63	2.48	1.59
46	1.76	1.45	1.95	1.54	2.09	1.64	2.15	1.63	2.21	1.63	2.34	1.61	2.45	1.57

TC : Total Capacity [kW]

SHC : Sensible Heat Capacity [kW]

Product models : RAS-B13B2KVG-E ; RAS-13B2AVG-E

Specification of product at standard condition

Standard Condition	Indoor	27°C (DB) / 19°C (WB)	Total Cooling Capacity (TC)	3.30 kW
	Outdoor	35°C (DB) / 24°C (WB)	Sensible Heat Capacity (SHC)	2.45 kW

Outdoor air temperature DB (°C)	Indoor air temperature													
	20.0°C (DB) 14.0°C (WB)		23.0°C (DB) 16.0°C (WB)		26.0°C (DB) 18.0°C (WB)		27.0°C (DB) 19.0°C (WB)		28.0°C (DB) 20.0°C (WB)		30.0°C (DB) 22.0°C (WB)		32.0°C (DB) 24.0°C (WB)	
	TC	SHC	TC	SHC	TC	SHC	TC	SHC	TC	SHC	TC	SHC	TC	SHC
20	3.23	2.60	3.57	2.76	3.82	2.93	3.94	2.92	4.05	2.91	4.29	2.87	4.48	2.80
21	3.20	2.57	3.53	2.73	3.78	2.90	3.89	2.89	4.00	2.88	4.24	2.84	4.44	2.77
22	3.16	2.54	3.49	2.70	3.74	2.87	3.85	2.86	3.96	2.85	4.19	2.81	4.39	2.74
23	3.13	2.51	3.45	2.67	3.70	2.84	3.81	2.83	3.92	2.82	4.15	2.78	4.34	2.71
24	3.09	2.48	3.42	2.64	3.66	2.81	3.77	2.80	3.87	2.79	4.10	2.75	4.29	2.68
25	3.06	2.46	3.38	2.61	3.62	2.78	3.72	2.76	3.83	2.76	4.06	2.72	4.24	2.65
26	3.02	2.43	3.34	2.58	3.58	2.74	3.68	2.73	3.79	2.73	4.01	2.69	4.19	2.62
27	2.99	2.40	3.30	2.55	3.53	2.71	3.64	2.70	3.74	2.69	3.96	2.65	4.15	2.59
28	2.95	2.37	3.26	2.52	3.49	2.68	3.60	2.67	3.70	2.66	3.92	2.62	4.10	2.56
29	2.92	2.34	3.22	2.49	3.45	2.65	3.55	2.64	3.66	2.63	3.87	2.59	4.05	2.53
30	2.88	2.32	3.19	2.46	3.41	2.62	3.51	2.61	3.61	2.60	3.83	2.56	4.00	2.50
31	2.85	2.29	3.15	2.43	3.37	2.59	3.47	2.58	3.57	2.57	3.78	2.53	3.95	2.47
32	2.81	2.26	3.11	2.40	3.33	2.55	3.43	2.54	3.53	2.54	3.73	2.50	3.90	2.44
33	2.78	2.23	3.07	2.37	3.29	2.52	3.38	2.51	3.48	2.51	3.69	2.47	3.86	2.41
34	2.75	2.21	3.03	2.34	3.25	2.49	3.34	2.48	3.44	2.47	3.64	2.44	3.81	2.38
35	2.71	2.18	2.99	2.32	3.21	2.46	3.30	2.45	3.39	2.44	3.59	2.41	3.76	2.35
36	2.68	2.15	2.96	2.29	3.16	2.43	3.26	2.42	3.35	2.41	3.55	2.38	3.71	2.32
37	2.64	2.12	2.92	2.26	3.12	2.40	3.22	2.39	3.31	2.38	3.50	2.35	3.66	2.29
38	2.61	2.09	2.88	2.23	3.08	2.37	3.17	2.36	3.26	2.35	3.46	2.31	3.61	2.26
39	2.57	2.07	2.84	2.20	3.04	2.33	3.13	2.32	3.22	2.32	3.41	2.28	3.57	2.23
40	2.54	2.04	2.80	2.17	3.00	2.30	3.09	2.29	3.18	2.29	3.36	2.25	3.52	2.20
41	2.50	2.01	2.76	2.14	2.96	2.27	3.05	2.26	3.13	2.25	3.32	2.22	3.47	2.17
42	2.47	1.98	2.72	2.11	2.92	2.24	3.00	2.23	3.09	2.22	3.27	2.19	3.42	2.14
43	2.43	1.95	2.69	2.08	2.88	2.21	2.96	2.20	3.05	2.19	3.23	2.16	3.37	2.11
44	2.40	1.93	2.65	2.05	2.84	2.18	2.92	2.17	3.00	2.16	3.18	2.13	3.33	2.08
45	2.36	1.90	2.61	2.02	2.79	2.14	2.88	2.14	2.96	2.13	3.13	2.10	3.28	2.05
46	2.33	1.87	2.57	1.99	2.75	2.11	2.83	2.10	2.92	2.10	3.09	2.07	3.23	2.02

TC : Total Capacity [kW]

SHC : Sensible Heat Capacity [kW]

Product models : RAS-B16B2KVG-E ; RAS-16B2AVG-E

Specification of product at standard condition

Standard Condition	Indoor	27°C (DB) / 19°C (WB)	Total Cooling Capacity (TC)	4.20 kW
	Outdoor	35°C (DB) / 24°C (WB)	Sensible Heat Capacity (SHC)	3.04 kW

Outdoor air temperature DB (°C)	Indoor air temperature													
	20.0°C (DB) 14.0°C (WB)		23.0°C (DB) 16.0°C (WB)		26.0°C (DB) 18.0°C (WB)		27.0°C (DB) 19.0°C (WB)		28.0°C (DB) 20.0°C (WB)		30.0°C (DB) 22.0°C (WB)		32.0°C (DB) 24.0°C (WB)	
	TC	SHC	TC	SHC	TC	SHC	TC	SHC	TC	SHC	TC	SHC	TC	SHC
20	4.11	3.23	4.54	3.43	4.87	3.64	5.01	3.63	5.15	3.61	5.46	3.55	5.71	3.46
21	4.07	3.19	4.49	3.39	4.81	3.60	4.95	3.59	5.10	3.57	5.40	3.51	5.64	3.42
22	4.03	3.16	4.45	3.36	4.76	3.56	4.90	3.55	5.04	3.53	5.34	3.48	5.58	3.38
23	3.98	3.12	4.40	3.32	4.71	3.53	4.85	3.51	4.99	3.50	5.28	3.44	5.52	3.34
24	3.94	3.09	4.35	3.28	4.66	3.49	4.79	3.47	4.93	3.46	5.22	3.40	5.46	3.31
25	3.89	3.05	4.30	3.24	4.60	3.45	4.74	3.43	4.87	3.42	5.16	3.36	5.40	3.27
26	3.85	3.02	4.25	3.21	4.55	3.41	4.69	3.39	4.82	3.38	5.10	3.32	5.34	3.23
27	3.80	2.98	4.20	3.17	4.50	3.37	4.63	3.35	4.76	3.34	5.04	3.28	5.28	3.20
28	3.76	2.95	4.15	3.13	4.45	3.33	4.58	3.31	4.71	3.30	4.99	3.25	5.21	3.16
29	3.72	2.92	4.10	3.10	4.39	3.29	4.52	3.27	4.65	3.26	4.93	3.21	5.15	3.12
30	3.67	2.88	4.05	3.06	4.34	3.25	4.47	3.24	4.60	3.22	4.87	3.17	5.09	3.08
31	3.63	2.85	4.01	3.02	4.29	3.21	4.42	3.20	4.54	3.18	4.81	3.13	5.03	3.05
32	3.58	2.81	3.96	2.99	4.24	3.17	4.36	3.16	4.49	3.15	4.75	3.09	4.97	3.01
33	3.54	2.78	3.91	2.95	4.18	3.13	4.31	3.12	4.43	3.11	4.69	3.05	4.91	2.97
34	3.49	2.74	3.86	2.91	4.13	3.09	4.25	3.08	4.38	3.07	4.63	3.02	4.85	2.94
35	3.45	2.71	3.81	2.88	4.08	3.06	4.20	3.04	4.32	3.03	4.58	2.98	4.79	2.90
36	3.41	2.67	3.76	2.84	4.03	3.02	4.15	3.00	4.26	2.99	4.52	2.94	4.72	2.86
37	3.36	2.64	3.71	2.80	3.98	2.98	4.09	2.96	4.21	2.95	4.46	2.90	4.66	2.82
38	3.32	2.60	3.66	2.76	3.92	2.94	4.04	2.92	4.15	2.91	4.40	2.86	4.60	2.79
39	3.27	2.57	3.61	2.73	3.87	2.90	3.98	2.88	4.10	2.87	4.34	2.83	4.54	2.75
40	3.23	2.53	3.57	2.69	3.82	2.86	3.93	2.84	4.04	2.83	4.28	2.79	4.48	2.71
41	3.18	2.50	3.52	2.65	3.77	2.82	3.88	2.81	3.99	2.80	4.22	2.75	4.42	2.68
42	3.14	2.46	3.47	2.62	3.71	2.78	3.82	2.77	3.93	2.76	4.16	2.71	4.36	2.64
43	3.10	2.43	3.42	2.58	3.66	2.74	3.77	2.73	3.88	2.72	4.11	2.67	4.29	2.60
44	3.05	2.39	3.37	2.54	3.61	2.70	3.71	2.69	3.82	2.68	4.05	2.63	4.23	2.56
45	3.01	2.36	3.32	2.51	3.56	2.66	3.66	2.65	3.77	2.64	3.99	2.60	4.17	2.53
46	2.96	2.32	3.27	2.47	3.50	2.62	3.61	2.61	3.71	2.60	3.93	2.56	4.11	2.49

TC : Total Capacity [kW]

SHC : Sensible Heat Capacity [kW]

Product models : RAS-B18B2KVG-E ; RAS-18B2AVG-E

Specification of product at standard condition

Standard Condition	Indoor	27°C (DB) / 19°C (WB)	Total Cooling Capacity (TC)	5.00 kW
	Outdoor	35°C (DB) / 24°C (WB)	Sensible Heat Capacity (SHC)	3.50 kW

Outdoor air temperature DB (°C)	Indoor air temperature													
	20.0°C (DB) 14.0°C (WB)		23.0°C (DB) 16.0°C (WB)		26.0°C (DB) 18.0°C (WB)		27.0°C (DB) 19.0°C (WB)		28.0°C (DB) 20.0°C (WB)		30.0°C (DB) 22.0°C (WB)		32.0°C (DB) 24.0°C (WB)	
	TC	SHC	TC	SHC	TC	SHC	TC	SHC	TC	SHC	TC	SHC	TC	SHC
20	4.90	3.73	5.41	3.95	5.79	4.20	5.96	4.17	6.13	4.15	6.49	4.07	6.79	3.95
21	4.84	3.69	5.35	3.91	5.73	4.15	5.90	4.13	6.07	4.11	6.43	4.03	6.72	3.91
22	4.79	3.65	5.29	3.87	5.67	4.11	5.83	4.08	6.00	4.06	6.36	3.99	6.65	3.87
23	4.74	3.61	5.23	3.83	5.60	4.06	5.77	4.04	5.94	4.02	6.29	3.94	6.57	3.83
24	4.69	3.57	5.18	3.78	5.54	4.02	5.71	3.99	5.87	3.98	6.22	3.90	6.50	3.78
25	4.63	3.53	5.12	3.74	5.48	3.97	5.64	3.95	5.80	3.93	6.15	3.85	6.43	3.74
26	4.58	3.49	5.06	3.70	5.42	3.93	5.58	3.90	5.74	3.89	6.08	3.81	6.35	3.70
27	4.53	3.45	5.00	3.66	5.36	3.88	5.51	3.86	5.67	3.84	6.01	3.77	6.28	3.66
28	4.48	3.41	4.94	3.61	5.29	3.84	5.45	3.81	5.61	3.80	5.94	3.72	6.21	3.61
29	4.42	3.37	4.88	3.57	5.23	3.79	5.39	3.77	5.54	3.75	5.87	3.68	6.14	3.57
30	4.37	3.33	4.83	3.53	5.17	3.75	5.32	3.72	5.47	3.71	5.80	3.64	6.06	3.53
31	4.32	3.29	4.77	3.49	5.11	3.70	5.26	3.68	5.41	3.66	5.73	3.59	5.99	3.48
32	4.27	3.24	4.71	3.44	5.04	3.66	5.19	3.63	5.34	3.62	5.66	3.55	5.92	3.44
33	4.21	3.20	4.65	3.40	4.98	3.61	5.13	3.59	5.28	3.57	5.59	3.50	5.84	3.40
34	4.16	3.16	4.59	3.36	4.92	3.57	5.06	3.54	5.21	3.53	5.52	3.46	5.77	3.36
35	4.11	3.12	4.54	3.32	4.86	3.52	5.00	3.50	5.14	3.48	5.45	3.42	5.70	3.31
36	4.05	3.08	4.48	3.27	4.79	3.48	4.94	3.46	5.08	3.44	5.38	3.37	5.62	3.27
37	4.00	3.04	4.42	3.23	4.73	3.43	4.87	3.41	5.01	3.39	5.31	3.33	5.55	3.23
38	3.95	3.00	4.36	3.19	4.67	3.39	4.81	3.37	4.94	3.35	5.24	3.28	5.48	3.19
39	3.90	2.96	4.30	3.15	4.61	3.34	4.74	3.32	4.88	3.30	5.17	3.24	5.40	3.14
40	3.84	2.92	4.24	3.10	4.55	3.30	4.68	3.28	4.81	3.26	5.10	3.20	5.33	3.10
41	3.79	2.88	4.19	3.06	4.48	3.25	4.62	3.23	4.75	3.22	5.03	3.15	5.26	3.06
42	3.74	2.84	4.13	3.02	4.42	3.20	4.55	3.19	4.68	3.17	4.96	3.11	5.18	3.02
43	3.69	2.80	4.07	2.98	4.36	3.16	4.49	3.14	4.61	3.13	4.89	3.07	5.11	2.97
44	3.63	2.76	4.01	2.93	4.30	3.11	4.42	3.10	4.55	3.08	4.82	3.02	5.04	2.93
45	3.06	2.33	3.38	2.47	3.62	2.62	3.72	2.61	3.83	2.60	4.06	2.54	4.24	2.47
46	2.98	2.27	3.29	2.40	3.52	2.55	3.62	2.54	3.73	2.53	3.95	2.48	4.13	2.40

TC : Total Capacity [kW]

SHC : Sensible Heat Capacity [kW]

Product models : RAS-B24B2KVG-E ; RAS-24B2AVG-E

Specification of product at standard condition

Standard Condition	Indoor	27°C (DB) / 19°C (WB)	Total Cooling Capacity (TC)	6.50 kW
	Outdoor	35°C (DB) / 24°C (WB)	Sensible Heat Capacity (SHC)	4.40 kW

Outdoor air temperature DB (°C)	Indoor air temperature													
	20.0°C (DB) 14.0°C (WB)		23.0°C (DB) 16.0°C (WB)		26.0°C (DB) 18.0°C (WB)		27.0°C (DB) 19.0°C (WB)		28.0°C (DB) 20.0°C (WB)		30.0°C (DB) 22.0°C (WB)		32.0°C (DB) 24.0°C (WB)	
	TC	SHC	TC	SHC	TC	SHC	TC	SHC	TC	SHC	TC	SHC	TC	SHC
20	6.37	4.70	7.03	4.98	7.53	5.29	7.75	5.25	7.97	5.22	8.44	5.10	8.83	4.93
21	6.30	4.65	6.96	4.92	7.45	5.23	7.67	5.19	7.89	5.16	8.35	5.05	8.74	4.88
22	6.23	4.60	6.88	4.87	7.37	5.17	7.58	5.13	7.80	5.10	8.26	4.99	8.64	4.83
23	6.16	4.55	6.80	4.82	7.29	5.11	7.50	5.08	7.72	5.05	8.17	4.94	8.55	4.78
24	6.09	4.49	6.73	4.76	7.21	5.06	7.42	5.02	7.63	4.99	8.08	4.88	8.45	4.72
25	6.02	4.44	6.65	4.71	7.12	5.00	7.33	4.96	7.54	4.94	7.99	4.83	8.36	4.67
26	5.96	4.39	6.58	4.66	7.04	4.94	7.25	4.91	7.46	4.88	7.90	4.77	8.26	4.62
27	5.89	4.34	6.50	4.60	6.96	4.89	7.17	4.85	7.37	4.82	7.81	4.72	8.17	4.56
28	5.82	4.29	6.43	4.55	6.88	4.83	7.08	4.80	7.29	4.77	7.72	4.66	8.07	4.51
29	5.75	4.24	6.35	4.50	6.80	4.77	7.00	4.74	7.20	4.71	7.63	4.61	7.98	4.46
30	5.68	4.19	6.27	4.44	6.72	4.72	6.92	4.68	7.11	4.65	7.53	4.55	7.88	4.40
31	5.61	4.14	6.20	4.39	6.64	4.66	6.83	4.63	7.03	4.60	7.44	4.50	7.79	4.35
32	5.54	4.09	6.12	4.33	6.56	4.60	6.75	4.57	6.94	4.54	7.35	4.44	7.69	4.30
33	5.48	4.04	6.05	4.28	6.48	4.55	6.67	4.51	6.86	4.49	7.26	4.39	7.60	4.24
34	5.41	3.99	5.97	4.23	6.40	4.49	6.58	4.46	6.77	4.43	7.17	4.33	7.50	4.19
35	5.34	3.94	5.90	4.17	6.31	4.43	6.50	4.40	6.69	4.37	7.08	4.28	7.41	4.14
36	5.27	3.89	5.82	4.12	6.23	4.38	6.42	4.34	6.60	4.32	6.99	4.22	7.31	4.09
37	5.20	3.84	5.74	4.07	6.15	4.32	6.33	4.29	6.51	4.26	6.90	4.17	7.22	4.03
38	5.13	3.79	5.67	4.01	6.07	4.26	6.25	4.23	6.43	4.21	6.81	4.11	7.12	3.98
39	5.07	3.74	5.59	3.96	5.99	4.20	6.17	4.17	6.34	4.15	6.72	4.06	7.03	3.93
40	5.00	3.69	5.52	3.91	5.91	4.15	6.08	4.12	6.26	4.09	6.63	4.00	6.93	3.87
41	4.93	3.64	5.44	3.85	5.83	4.09	6.00	4.06	6.17	4.04	6.54	3.95	6.84	3.82
42	4.86	3.58	5.37	3.80	5.75	4.03	5.92	4.00	6.09	3.98	6.44	3.89	6.74	3.77
43	4.79	3.53	5.29	3.75	5.67	3.98	5.83	3.95	6.00	3.92	6.35	3.84	6.65	3.71
44	4.72	3.48	5.22	3.69	5.58	3.92	5.75	3.89	5.91	3.87	6.26	3.78	6.55	3.66
45	3.75	2.77	4.14	2.93	4.44	3.11	4.57	3.09	4.70	3.07	4.97	3.01	5.20	2.91
46	3.65	2.69	4.03	2.85	4.32	3.03	4.44	3.01	4.57	2.99	4.84	2.92	5.06	2.83

TC : Total Capacity [kW]

SHC : Sensible Heat Capacity [kW]

9. Part Load Performance

Indoor: RAS-B05B2KVG-E
 Outdoor: RAS-05B2AVG-E

Operation range	Cooling		Heating	
	Q	P	Q	P
MINIMUM	W 580	160	580	140
RATING	W 1500	360	2000	470
MAXIMUM	W 2000	580	3000	850

Cooling

Outdoor Temperature DB (°C)	Parts Load (%)																			
	100		90		80		70		60		50		40		30		20		10	
	Q	P	Q	P	Q	P	Q	P	Q	P	Q	P	Q	P	Q	P	Q	P	Q	P
20	1789	283	1610	275	1431	249	1252	224	1073	198	894	173	716	131	692	126	692	126	692	126
21	1770	288	1593	280	1416	254	1239	228	1062	202	885	176	708	134	684	128	684	128	684	128
22	1750	293	1575	285	1400	259	1225	232	1050	206	875	179	700	136	677	130	677	130	677	130
23	1731	298	1558	290	1385	263	1212	236	1039	209	866	182	692	138	669	132	669	132	669	132
24	1712	303	1541	295	1369	268	1198	240	1027	213	856	185	685	141	662	135	662	135	662	135
25	1693	308	1523	300	1354	272	1185	244	1016	216	846	188	677	143	654	137	654	137	654	137
26	1673	314	1506	305	1339	277	1171	248	1004	220	837	192	669	146	647	139	647	139	647	139
27	1654	319	1489	310	1323	281	1158	253	992	224	827	195	662	148	640	142	640	142	640	142
28	1635	324	1471	315	1308	286	1144	257	981	227	817	198	654	150	632	144	632	144	632	144
29	1616	329	1454	320	1292	290	1131	261	969	231	808	201	646	153	625	146	625	146	625	146
30	1596	334	1437	325	1277	295	1117	265	958	235	798	204	639	155	617	149	617	149	617	149
31	1577	339	1419	330	1262	300	1104	269	946	238	789	207	631	157	610	151	610	151	610	151
32	1558	345	1402	335	1246	304	1090	273	935	242	779	211	623	160	602	153	602	153	602	153
33	1539	350	1385	340	1231	309	1077	277	923	245	769	214	615	162	595	155	595	155	595	155
34	1519	355	1367	345	1215	313	1063	281	912	249	760	217	608	165	587	158	587	158	587	158
35	1500	360	1350	350	1200	318	1050	285	900	253	750	220	600	167	580	160	580	160	580	160
36	1481	365	1333	355	1185	322	1037	289	888	256	740	223	592	169	573	162	573	162	573	162
37	1462	370	1315	360	1169	327	1023	293	877	260	731	226	585	172	565	165	565	165	565	165
38	1442	375	1298	366	1154	331	1010	297	865	263	721	229	577	174	558	167	558	167	558	167
39	1423	381	1281	371	1138	336	996	302	854	267	712	233	569	177	550	169	550	169	550	169
40	1404	386	1263	376	1123	341	983	306	842	271	702	236	562	179	543	171	543	171	543	171
41	1385	391	1246	381	1108	345	969	310	831	274	692	239	554	181	535	174	535	174	535	174
42	1365	396	1229	386	1092	350	956	314	819	278	683	242	546	184	528	176	528	176	528	176
43	1346	401	1211	391	1077	354	942	318	808	282	673	245	538	186	520	178	520	178	520	178
44	1327	406	1194	396	1061	359	929	322	796	285	663	248	531	189	513	181	513	181	513	181
45	1308	412	1177	401	1046	363	915	326	785	289	654	252	523	191	506	183	506	183	506	183
46	1288	417	1159	406	1031	368	902	330	773	292	644	255	515	193	498	185	498	185	498	185

Heating

Outdoor Temperature DB (°C)	Parts Load (%)																			
	100		90		80		70		60		50		40		30		20		10	
	Q	P	Q	P	Q	P	Q	P	Q	P	Q	P	Q	P	Q	P	Q	P	Q	P
-10	1279	364	1151	307	1023	271	895	235	767	199	639	163	512	137	384	111	371	108	371	108
-9	1293	368	1164	310	1034	274	905	237	776	201	646	165	517	138	388	112	375	110	375	110
-8	1307	373	1176	314	1046	277	915	240	784	203	654	166	523	140	392	114	379	111	379	111
-7	1321	377	1189	318	1057	280	925	243	793	206	661	168	529	142	396	115	383	112	383	112
-6	1336	381	1202	321	1068	283	935	246	801	208	668	170	534	143	401	116	387	114	387	114
-5	1350	386	1215	325	1080	287	945	249	810	210	675	172	540	145	405	118	391	115	391	115
-4	1364	390	1228	328	1091	290	955	251	818	213	682	174	546	147	409	119	396	116	396	116
-3	1378	394	1240	332	1103	293	965	254	827	215	689	176	551	148	413	120	400	117	400	117
-2	1392	399	1253	336	1114	296	975	257	835	218	696	178	557	150	418	122	404	119	404	119
-1	1407	403	1266	339	1125	300	985	260	844	220	703	180	563	151	422	123	408	120	408	120
0	1421	407	1279	343	1137	303	995	263	853	222	710	182	568	153	426	124	412	121	412	121
1	1435	412	1292	347	1148	306	1005	265	861	225	718	184	574	155	431	126	416	123	416	123
2	1449	416	1304	350	1159	309	1014	268	870	227	725	186	580	156	435	127	420	124	420	124
3	1473	422	1326	355	1178	313	1031	272	884	230	737	188	589	158	442	129	427	126	427	126
4	1497	427	1347	360	1197	318	1048	275	898	233	748	191	599	161	449	130	434	127	434	127
5	1520	433	1368	365	1216	322	1064	279	912	236	760	193	608	163	456	132	441	129	441	129
6	1948	463	1754	390	1559	344	1364	298	1169	253	974	207	779	174	585	141	565	138	565	138
7	2000	470	1800	396	1600	349	1400	303	1200	256	1000	210	800	177	600	143	580	140	580	140
8	2052	477	1846	402	1641	355	1436	308	1231	260	1026	213	821	179	615	146	595	142	595	142
9	2103	485	1893	408	1683	360	1472	312	1262	264	1052	217	841	182	631	148	610	144	610	144
10	2155	492	1939	414	1724	366	1508	317	1293	268	1077	220	862	185	646	150	625	147	625	147
11	2206	499	1986	420	1765	371	1545	322	1324	272	1103	223	883	188	662	152	640	149	640	149
12	2258	506	2032	427	1806	376	1581	326	1355	276	1129	226	903	190	677	154	655	151	655	151
13	2310	514	2079	433	1848	382	1617	331	1386	280	1155	230	924	193	693	157	670	153	670	153
14	2361	521	2125	439	1889	387	1653	336	1417	284	1181	233	945	196	708	159	685	155	685	155
15	2413	528	2172	445	1930	393	1689	340	1448	288	1206	236	965	199	724	161	700	157	700	157
16	2465	535	2218	451	1972	398	1725	345	1479	292	1232	239	986	201	739	163	715	160	715	160
17	2516	543	2265	457	2013	404	1761	350	1510	296	1258	243	1006	204	755	166	730	162	730	162
18	2568	550	2311	463	2054	409	1797	355	1541	300	1284	246	1027	207	770	168	745	164	745	164
19	2619	557	2357	469	2095	414	1834	359	1572	304	1310	249	1048	209	786	170	760	166	760	166
20	2671	565	2404	476	2137	420	1870	364	1603	308	1335	252	1068	212	801	172	775	168	775	168
21	2723	572	2450	482	2178	425	1906	369	1634	312	1361	256	1089	215	817	174	790	170	790	170
22	2774	579	2497	488	2219	431	1942	373	1665	316	1387	259	1110	218	832	177	805	173	805	173
23	2826	586	2543	494	2261	436	1978	378	1695	320	1413	262	1130	220	848	179	819	175	819	175
24	2877	594	2590	500	2302	441	2014	383	1726	324	1439	265	1151	223	863	181	834	177	834	177

Indoor: RAS-B07B2KVG-E
 Outdoor: RAS-07B2AVG-E

Operation range	Cooling		Heating	
	Q	P	Q	P
MINIMUM	W 760	200	760	160
RATING	W 2000	600	2500	640
MAXIMUM	W 2400	740	3300	940

Cooling

Outdoor Temperature DB (°C)	Parts Load (%)																			
	100		90		80		70		60		50		40		30		20		10	
	Q	P	Q	P	Q	P	Q	P	Q	P	Q	P	Q	P	Q	P	Q	P	Q	P
20	2385	471	2147	375	1908	325	1670	274	1431	223	1193	173	954	160	906	157	906	157	906	157
21	2359	480	2123	382	1887	331	1652	279	1416	227	1180	176	944	163	897	160	897	160	897	160
22	2334	488	2100	389	1867	336	1634	284	1400	232	1167	179	933	165	887	163	887	163	887	163
23	2308	497	2077	396	1846	342	1616	289	1385	236	1154	182	923	168	877	166	877	166	877	166
24	2282	505	2054	403	1826	348	1598	294	1369	240	1141	185	913	171	867	168	867	168	867	168
25	2257	514	2031	410	1805	354	1580	299	1354	244	1128	188	903	174	858	171	858	171	858	171
26	2231	523	2008	416	1785	360	1562	304	1339	248	1116	192	892	177	848	174	848	174	848	174
27	2205	531	1985	423	1764	366	1544	309	1323	252	1103	195	882	180	838	177	838	177	838	177
28	2180	540	1962	430	1744	372	1526	314	1308	256	1090	198	872	183	828	180	828	180	828	180
29	2154	548	1939	437	1723	378	1508	319	1292	260	1077	201	862	186	819	183	819	183	819	183
30	2128	557	1916	444	1703	384	1490	324	1277	264	1064	204	851	189	809	186	809	186	809	186
31	2103	566	1892	451	1682	390	1472	329	1262	268	1051	207	841	192	799	189	799	189	799	189
32	2077	574	1869	458	1662	396	1454	334	1246	272	1039	211	831	195	789	191	789	191	789	191
33	2051	583	1846	464	1641	402	1436	339	1231	276	1026	214	821	198	780	194	780	194	780	194
34	2026	591	1823	471	1621	408	1418	344	1215	280	1013	217	810	200	770	197	770	197	770	197
35	2000	600	1800	478	1600	414	1400	349	1200	285	1000	220	800	203	760	200	760	200	760	200
36	1974	609	1777	485	1579	419	1382	354	1185	289	987	223	790	206	750	203	750	203	750	203
37	1949	617	1754	492	1559	425	1364	359	1169	293	974	226	779	209	740	206	740	206	740	206
38	1923	626	1731	499	1538	431	1346	364	1154	297	962	229	769	212	731	209	731	209	731	209
39	1897	634	1708	505	1518	437	1328	369	1138	301	949	233	759	215	721	211	721	211	721	211
40	1872	643	1685	512	1497	443	1310	374	1123	305	936	236	749	218	711	214	711	214	711	214
41	1846	652	1661	519	1477	449	1292	379	1108	309	923	239	738	221	701	217	701	217	701	217
42	1820	660	1638	526	1456	455	1274	384	1092	313	910	242	728	224	692	220	692	220	692	220
43	1795	669	1615	533	1436	461	1256	389	1077	317	897	245	718	227	682	223	682	223	682	223
44	1769	677	1592	540	1415	467	1238	394	1061	321	885	248	708	230	672	226	672	226	672	226
45	1743	686	1569	547	1395	473	1220	399	1046	325	872	252	697	232	662	229	662	229	662	229
46	1718	695	1546	553	1374	479	1202	404	1031	329	859	255	687	235	653	232	653	232	653	232

Heating

Outdoor Temperature DB (°C)	Parts Load (%)																			
	100		90		80		70		60		50		40		30		20		10	
	Q	P	Q	P	Q	P	Q	P	Q	P	Q	P	Q	P	Q	P	Q	P	Q	P
-10	1526	500	1373	411	1220	357	1068	303	915	249	763	195	610	159	464	125	464	125	464	125
-9	1549	505	1394	415	1240	361	1085	306	930	252	775	197	620	161	471	126	471	126	471	126
-8	1573	511	1416	420	1259	365	1101	310	944	255	787	200	629	163	478	128	478	128	478	128
-7	1597	516	1437	424	1278	369	1118	313	958	257	799	202	639	165	486	129	486	129	486	129
-6	1621	522	1459	429	1297	373	1135	316	973	260	810	204	648	166	493	130	493	130	493	130
-5	1645	528	1480	433	1316	377	1151	320	987	263	822	206	658	168	500	132	500	132	500	132
-4	1669	533	1502	438	1335	381	1168	323	1001	266	834	208	667	170	507	133	507	133	507	133
-3	1692	539	1523	443	1354	385	1185	326	1015	268	846	210	677	172	514	135	514	135	514	135
-2	1716	544	1545	447	1373	388	1201	330	1030	271	858	213	686	174	522	136	522	136	522	136
-1	1740	550	1566	452	1392	392	1218	333	1044	274	870	215	696	175	529	137	529	137	529	137
0	1764	555	1588	456	1411	396	1235	337	1058	277	882	217	706	177	536	139	536	139	536	139
1	1788	561	1609	461	1430	400	1251	340	1073	280	894	219	715	179	543	140	543	140	543	140
2	1812	566	1630	465	1449	404	1268	343	1087	282	906	221	725	181	551	142	551	142	551	142
3	1841	574	1657	472	1473	410	1289	348	1105	286	921	224	737	183	560	143	560	143	560	143
4	1871	582	1684	478	1497	415	1310	353	1123	290	935	227	748	185	569	145	569	145	569	145
5	1901	589	1711	484	1520	421	1330	357	1140	294	950	230	760	188	578	147	578	147	578	147
6	2435	630	2192	518	1948	450	1705	382	1461	314	1218	246	974	201	740	158	740	158	740	158
7	2500	640	2250	526	2000	457	1750	388	1500	319	1250	250	1000	204	760	160	760	160	760	160
8	2565	650	2308	534	2052	464	1795	394	1539	324	1282	254	1026	207	780	162	780	162	780	162
9	2629	660	2366	542	2103	471	1840	400	1577	329	1315	258	1052	210	799	165	799	165	799	165
10	2694	670	2424	550	2155	478	1885	406	1616	334	1347	262	1077	214	819	167	819	167	819	167
11	2758	680	2482	558	2206	485	1931	412	1655	339	1379	265	1103	217	838	170	838	170	838	170
12	2823	690	2540	567	2258	492	1976	418	1694	344	1411	269	1129	220	858	172	858	172	858	172
13	2887	699	2598	575	2310	499	2021	424	1732	349	1444	273	1155	223	878	175	878	175	878	175
14	2952	709	2656	583	2361	506	2066	430	1771	354	1476	277	1181	226	897	177	897	177	897	177
15	3016	719	2715	591	2413	513	2111	436	1810	358	1508	281	1206	229	917	180	917	180	917	180
16	3081	729	2773	599	2465	521	2156	442	1848	363	1540	285	1232	233	937	182	937	182	937	182
17	3145	739	2831	607	2516	528	2202	448	1887	368	1573	289	1258	236	956	185	956	185	956	185
18	3210	749	2889	615	2568	535	2247	454	1926	373	1605	293	1284	239	976	187	976	187	976	187
19	3274	759	2947	624	2619	542	2292	460	1965	378	1637	296	1310	242	995	190	995	190	995	190
20	3339	769	3005	632	2671	549	2337	466	2003	383	1669	300	1335	245	1015	192	1015	192	1015	192
21	3403	779	3063	640	2723	556	2382	472	2042	388	1702	304	1361	248	1035	195	1035	195	1035	195
22	3468	789	3121	648	2774	563	2427	478	2081	393	1734	308	1387	251	1054	197	1054	197	1054	197
23	3532	799	3179	656	2826	570	2473	484	2119	398	1766	312	1413	255	1074	200	1074	200	1074	200
24	3597	808	3237	664	2877	577	2518	490	2158	403	1798	316	1439	258	1093	202	1093	202	1093	

Indoor: RAS-B10B2KVG-E
 Outdoor: RAS-10B2AVG-E

Operation range	Cooling		Heating	
	Q	P	Q	P
MINIMUM	W 800	210	760	180
RATING	W 2500	720	3200	840
MAXIMUM	W 3000	1000	3900	1100

Cooling

Outdoor Temperature DB (°C)	Parts Load (%)																			
	100		90		80		70		60		50		40		30		20		10	
	Q	P	Q	P	Q	P	Q	P	Q	P	Q	P	Q	P	Q	P	Q	P	Q	P
20	2981	565	2683	463	2385	404	2087	345	1789	287	1491	228	1193	193	954	165	954	165	954	165
21	2949	576	2654	472	2359	412	2064	352	1770	292	1475	232	1180	196	944	168	944	168	944	168
22	2917	586	2625	480	2334	419	2042	358	1750	297	1459	236	1167	200	933	171	933	171	933	171
23	2885	596	2597	489	2308	426	2020	364	1731	302	1443	240	1154	203	923	174	923	174	923	174
24	2853	606	2568	497	2282	434	1997	371	1712	307	1426	244	1141	207	913	177	913	177	913	177
25	2821	617	2539	505	2257	441	1975	377	1693	313	1410	248	1128	210	903	180	903	180	903	180
26	2789	627	2510	514	2231	449	1952	383	1673	318	1394	253	1116	214	892	183	892	183	892	183
27	2757	637	2481	522	2205	456	1930	390	1654	323	1378	257	1103	217	882	186	882	186	882	186
28	2725	648	2452	531	2180	463	1907	396	1635	328	1362	261	1090	221	872	189	872	189	872	189
29	2693	658	2423	539	2154	471	1885	402	1616	334	1346	265	1077	224	862	192	862	192	862	192
30	2660	668	2394	548	2128	478	1862	408	1596	339	1330	269	1064	228	851	195	851	195	851	195
31	2628	679	2366	556	2103	485	1840	415	1577	344	1314	273	1051	231	841	198	841	198	841	198
32	2596	689	2337	565	2077	493	1817	421	1558	349	1298	278	1039	235	831	201	831	201	831	201
33	2564	699	2308	573	2051	500	1795	427	1539	355	1282	282	1026	239	821	204	821	204	821	204
34	2532	710	2279	582	2026	508	1772	434	1519	360	1266	286	1013	242	810	207	810	207	810	207
35	2500	720	2250	590	2000	515	1750	440	1500	365	1250	290	1000	246	800	210	800	210	800	210
36	2468	730	2221	598	1974	522	1728	446	1481	370	1234	294	987	249	790	213	790	213	790	213
37	2436	741	2192	607	1949	530	1705	453	1462	375	1218	298	974	253	779	216	779	216	779	216
38	2404	751	2163	615	1923	537	1683	459	1442	381	1202	302	962	256	769	219	769	219	769	219
39	2372	761	2135	624	1897	545	1660	465	1423	386	1186	307	949	260	759	222	759	222	759	222
40	2340	772	2106	632	1872	552	1638	472	1404	391	1170	311	936	263	749	225	749	225	749	225
41	2308	782	2077	641	1846	559	1615	478	1385	396	1154	315	923	267	738	228	738	228	738	228
42	2275	792	2048	649	1820	567	1593	484	1365	402	1138	319	910	270	728	231	728	231	728	231
43	2243	803	2019	658	1795	574	1570	490	1346	407	1122	323	897	274	718	234	718	234	718	234
44	2211	813	1990	666	1769	581	1548	497	1327	412	1106	327	885	277	708	237	708	237	708	237
45	2179	823	1961	675	1743	589	1525	503	1308	417	1090	332	872	281	698	240	697	240	697	240
46	2147	834	1932	683	1718	596	1503	509	1288	423	1074	336	859	284	687	243	687	243	687	243

Heating

Outdoor Temperature DB (°C)	Parts Load (%)																			
	100		90		80		70		60		50		40		30		20		10	
	Q	P	Q	P	Q	P	Q	P	Q	P	Q	P	Q	P	Q	P	Q	P	Q	P
-10	2041	669	1837	539	1632	470	1428	401	1224	332	1020	263	816	217	612	172	485	143	485	143
-9	2064	675	1857	544	1651	474	1445	404	1238	335	1032	265	826	219	619	173	490	145	490	145
-8	2087	681	1878	549	1670	478	1461	408	1252	338	1043	268	835	221	626	175	496	146	496	146
-7	2110	688	1899	554	1688	483	1477	412	1266	341	1055	270	844	223	633	177	501	147	501	147
-6	2133	694	1920	559	1707	487	1493	416	1280	344	1067	273	853	225	640	178	507	149	507	149
-5	2157	700	1941	564	1725	491	1510	419	1294	347	1078	275	863	227	647	180	512	150	512	150
-4	2180	706	1962	569	1744	496	1526	423	1308	350	1090	277	872	229	654	181	518	151	518	151
-3	2203	712	1983	573	1762	500	1542	427	1322	353	1101	280	881	231	661	183	523	153	523	153
-2	2226	719	2003	578	1781	504	1558	430	1336	356	1113	282	890	233	668	185	529	154	529	154
-1	2249	725	2024	583	1799	509	1574	434	1350	359	1125	285	900	235	675	186	534	155	534	155
0	2272	731	2045	588	1818	513	1591	438	1363	362	1136	287	909	237	682	188	540	157	540	157
1	2296	737	2066	593	1837	517	1607	442	1377	366	1148	290	918	239	689	189	545	158	545	158
2	2319	743	2087	598	1855	522	1623	445	1391	369	1159	292	928	241	696	191	551	159	551	159
3	2357	753	2121	606	1885	529	1650	451	1414	374	1178	296	943	245	707	193	560	161	560	161
4	2395	763	2155	615	1916	536	1676	457	1437	379	1197	300	958	248	718	196	569	164	569	164
5	2433	773	2190	623	1946	543	1703	463	1460	384	1216	304	973	251	730	199	578	166	578	166
6	3117	827	2806	666	2494	581	2182	495	1870	410	1559	325	1247	269	935	212	740	177	740	177
7	3200	840	2880	676	2560	590	2240	503	1920	417	1600	330	1280	273	960	216	760	180	760	180
8	3283	853	2954	687	2626	599	2298	511	1970	423	1641	335	1313	277	985	219	780	183	780	183
9	3365	866	3029	697	2692	608	2356	519	2019	429	1683	340	1346	281	1010	222	799	186	799	186
10	3448	879	3103	708	2758	617	2413	526	2069	436	1724	345	1379	286	1034	226	819	188	819	188
11	3530	892	3177	718	2824	626	2471	534	2118	442	1765	350	1412	290	1059	229	838	191	838	191
12	3613	905	3252	729	2890	635	2529	542	2168	449	1806	356	1445	294	1084	232	858	194	858	194
13	3695	918	3326	739	2956	644	2587	550	2217	455	1848	361	1478	298	1109	236	878	197	878	197
14	3778	931	3400	750	3022	654	2645	558	2267	462	1889	366	1511	302	1133	239	897	200	897	200
15	3861	944	3475	760	3089	663	2702	565	2316	468	1930	371	1544	307	1158	242	917	202	917	202
16	3943	957	3549	770	3155	672	2760	573	2366	475	1972	376	1577	311	1183	246	937	205	937	205
17	4026	970	3623	781	3221	681	2818	581	2415	481	2013	381	1610	315	1208	249	956	208	956	208
18	4108	983	3698	791	3287	690	2876	589	2465	488	2054	386	1643	319	1233	252	976	211	976	211
19	4191	996	3772	802	3353	699	2934	597	2515	494	2095	391	1676	324	1257	255	995	213	995	213
20	4274	1009	3846	812	3419	708	2991	604	2564	500	2137	396	1709	328	1282	259	1015	216	1015	216
21	4356	1022	3921	823	3485	717	3049	612	2614	507	2178	402	1742	332	1307	262	1035	219	1035	219
22	4439	1035	3995	833	3551	727	3107	620	2663	513	2219	407	1775	336	1332	266	1054	222	1054	222
23	4521	1048	4069	844	3617	736	3165	628	2713	520	2261	412	1809	340	1356	269	1074	225	1074	225
24	4604	1061	4143	854	3683	745	3223	636	2762	526	2302									

Indoor: RAS-B13B2KVG-E
 Outdoor: RAS-13B2AVG-E

Operation range	Cooling		Heating	
	Q	P	Q	P
MINIMUM	W 1000	250	760	180
RATING	W 3300	1170	3600	1020
MAXIMUM	W 3600	1350	4500	1250

Cooling

Outdoor Temperature DB (°C)	Parts Load (%)																			
	100		90		80		70		60		50		40		30		20		10	
	Q	P	Q	P	Q	P	Q	P	Q	P	Q	P	Q	P	Q	P	Q	P	Q	P
20	3935	918	3542	728	3148	625	2755	521	2361	418	1968	314	1574	254	1193	196	1193	196	1193	196
21	3893	935	3504	742	3114	636	2725	531	2336	425	1946	320	1557	259	1180	200	1180	200	1180	200
22	3851	952	3465	755	3080	648	2695	540	2310	433	1925	325	1540	264	1167	203	1167	203	1167	203
23	3808	969	3427	768	3047	659	2666	550	2285	440	1904	331	1523	268	1154	207	1154	207	1154	207
24	3766	986	3389	782	3013	670	2636	559	2260	448	1883	337	1506	273	1141	211	1141	211	1141	211
25	3724	1002	3351	795	2979	682	2606	569	2234	456	1862	343	1489	277	1128	214	1128	214	1128	214
26	3681	1019	3313	808	2945	693	2577	578	2209	463	1841	348	1472	282	1116	218	1116	218	1116	218
27	3639	1036	3275	822	2911	705	2547	588	2183	471	1819	354	1456	287	1103	221	1103	221	1103	221
28	3596	1053	3237	835	2877	716	2518	597	2158	479	1798	360	1439	291	1090	225	1090	225	1090	225
29	3554	1069	3199	848	2843	728	2488	607	2132	486	1777	366	1422	296	1077	229	1077	229	1077	229
30	3512	1086	3161	861	2809	739	2458	616	2107	494	1756	371	1405	301	1064	232	1064	232	1064	232
31	3469	1103	3122	875	2776	750	2429	626	2082	501	1735	377	1388	305	1051	236	1051	236	1051	236
32	3427	1120	3084	888	2742	762	2399	635	2056	509	1714	383	1371	310	1039	239	1039	239	1039	239
33	3385	1136	3046	901	2708	773	2369	645	2031	517	1692	389	1354	315	1026	243	1026	243	1026	243
34	3342	1153	3008	915	2674	785	2340	654	2005	524	1671	394	1337	319	1013	246	1013	246	1013	246
35	3300	1170	2970	928	2640	796	2310	664	1980	532	1650	400	1320	324	1000	250	1000	250	1000	250
36	3258	1187	2932	941	2606	807	2280	674	1955	540	1629	406	1303	328	987	254	987	254	987	254
37	3215	1204	2894	955	2572	819	2251	683	1929	547	1608	411	1286	333	974	257	974	257	974	257
38	3173	1220	2856	968	2538	830	2221	693	1904	555	1586	417	1269	338	962	261	962	261	962	261
39	3131	1237	2818	981	2504	842	2191	702	1878	563	1565	423	1252	342	949	264	949	264	949	264
40	3088	1254	2779	995	2471	853	2162	712	1853	570	1544	429	1235	347	936	268	936	268	936	268
41	3046	1271	2741	1008	2437	864	2132	721	1828	578	1523	434	1218	352	923	272	923	272	923	272
42	3004	1287	2703	1021	2403	876	2102	731	1802	585	1502	440	1201	356	910	275	910	275	910	275
43	2961	1304	2665	1034	2369	887	2073	740	1777	593	1481	446	1184	361	897	279	897	279	897	279
44	2919	1321	2627	1048	2335	899	2043	750	1751	601	1459	452	1168	366	885	282	885	282	885	282
45	2877	1338	2589	1061	2301	910	2014	759	1726	608	1438	457	1151	370	872	286	872	286	872	286
46	2834	1354	2551	1074	2267	922	1984	769	1700	616	1417	463	1134	375	859	289	859	289	859	289

Heating

Outdoor Temperature DB (°C)	Parts Load (%)																			
	100		90		80		70		60		50		40		30		20		10	
	Q	P	Q	P	Q	P	Q	P	Q	P	Q	P	Q	P	Q	P	Q	P	Q	P
-10	2174	824	1957	651	1739	565	1522	479	1304	393	1087	307	870	251	652	195	459	145	459	145
-9	2210	831	1989	656	1768	570	1547	483	1326	396	1105	309	884	253	663	197	467	147	467	147
-8	2246	837	2022	662	1797	574	1572	487	1348	399	1123	312	899	255	674	198	474	148	474	148
-7	2283	844	2054	667	1826	579	1598	491	1370	402	1141	314	913	257	685	200	482	149	482	149
-6	2319	850	2087	672	1855	583	1623	494	1391	406	1159	317	928	259	696	201	490	150	490	150
-5	2355	857	2120	677	1884	588	1649	498	1413	409	1178	319	942	261	707	203	497	151	497	151
-4	2391	863	2152	682	1913	592	1674	502	1435	412	1196	322	957	263	717	204	505	152	505	152
-3	2428	870	2185	687	1942	597	1699	506	1457	415	1214	324	971	265	728	206	512	154	512	154
-2	2464	876	2217	693	1971	601	1725	510	1478	418	1232	327	986	267	739	208	520	155	520	155
-1	2500	883	2250	698	2000	606	1750	513	1500	421	1250	329	1000	269	750	209	528	156	528	156
0	2536	890	2283	703	2029	610	1775	517	1522	424	1268	331	1014	271	761	211	535	157	535	157
1	2572	896	2315	708	2058	614	1801	521	1543	427	1286	334	1029	273	772	212	543	158	543	158
2	2609	903	2348	713	2087	619	1826	525	1565	431	1304	336	1043	275	783	214	551	159	551	159
3	2651	915	2386	723	2121	627	1856	532	1591	436	1326	341	1061	279	795	217	560	161	560	161
4	2694	927	2425	732	2155	636	1886	539	1616	442	1347	345	1078	282	808	219	569	164	569	164
5	2737	939	2463	742	2190	644	1916	546	1642	448	1368	350	1095	286	821	222	578	166	578	166
6	3507	1004	3156	793	2806	689	2455	584	2104	479	1754	374	1403	306	1052	238	740	177	740	177
7	3600	1020	3240	806	2880	699	2520	593	2160	486	1800	380	1440	311	1080	242	760	180	760	180
8	3693	1036	3324	818	2954	710	2585	602	2216	494	1846	386	1477	316	1108	245	780	183	780	183
9	3786	1052	3407	831	3029	721	2650	611	2271	502	1893	392	1514	320	1136	249	799	186	799	186
10	3879	1067	3491	843	3103	732	2715	621	2327	509	1939	398	1551	325	1164	253	819	188	819	188
11	3972	1083	3574	856	3177	743	2780	630	2383	517	1986	404	1589	330	1191	256	838	191	838	191
12	4065	1099	3658	868	3252	754	2845	639	2439	524	2032	409	1626	335	1219	260	858	194	858	194
13	4157	1115	3742	881	3326	764	2910	648	2494	532	2079	415	1663	340	1247	264	878	197	878	197
14	4250	1131	3825	893	3400	775	2975	657	2550	539	2125	421	1700	344	1275	268	897	200	897	200
15	4343	1146	3909	906	3475	786	3040	666	2606	547	2172	427	1737	349	1303	271	917	202	917	202
16	4436	1162	3993	918	3549	797	3105	676	2662	554	2218	433	1774	354	1331	275	937	205	937	205
17	4529	1178	4076	931	3623	808	3170	685	2717	562	2265	439	1812	359	1359	279	956	208	956	208
18	4622	1194	4160	943	3698	819	3235	694	2773	569	2311	445	1849	364	1387	283	976	211	976	211
19	4715	1210	4243	956	3772	829	3300	703	2829	577	2357	451	1886	369	1414	286	995	213	995	213
20	4808	1225	4327	968	3846	840	3365	712	2885	584	2404	456	1923	373	1442	290	1015	216	1015	216
21	4901	1241	4411	981	3921	851	3430	721	2940	592	2450	462	1960	378	1470	294	1035	219	1035	219
22	4994	1257	4494	993	3995	862	3495	731	2996	599	2497	468	1997	383	1498	298	1054	222	1054	222
23	5086	1273	4578	1006	4069	873	3561	740	3052	607	2543	474	2035	388	1526	301	1074	225	1074	

Indoor: RAS-B16B2KVG-E
 Outdoor: RAS-16B2AVG-E

Operation range	Cooling		Heating	
	Q	P	Q	P
MINIMUM	W 1100	350	850	250
RATING	W 4200	1370	5000	1450
MAXIMUM	W 4700	1700	6000	1900

Cooling

Outdoor Temperature DB (°C)	Parts Load (%)																			
	100		90		80		70		60		50		40		30		20		10	
	Q	P	Q	P	Q	P	Q	P	Q	P	Q	P	Q	P	Q	P	Q	P	Q	P
20	5009	1075	4508	842	4007	734	3506	625	3005	517	2504	418	2003	352	1503	296	1312	275	1312	275
21	4955	1095	4459	858	3964	747	3468	637	2973	526	2477	416	1982	359	1486	302	1298	280	1298	280
22	4901	1115	4411	873	3921	760	3430	648	2940	536	2450	423	1960	365	1470	307	1284	285	1284	285
23	4847	1134	4362	888	3877	774	3393	659	2908	545	2423	431	1939	371	1454	312	1269	290	1269	290
24	4793	1154	4314	904	3834	787	3355	671	2876	554	2396	438	1917	378	1438	318	1255	295	1255	295
25	4739	1174	4265	919	3791	801	3317	682	2843	564	2370	445	1896	384	1422	323	1241	300	1241	300
26	4685	1193	4217	934	3748	814	3280	694	2811	573	2343	453	1874	391	1406	329	1227	305	1227	305
27	4631	1213	4168	950	3705	827	3242	705	2779	583	2316	460	1852	397	1389	334	1213	310	1213	310
28	4577	1233	4120	965	3662	841	3204	716	2746	592	2289	468	1831	404	1373	339	1199	315	1199	315
29	4523	1252	4071	981	3619	854	3166	728	2714	602	2262	475	1809	410	1357	345	1185	320	1185	320
30	4470	1272	4023	996	3576	868	3129	739	2682	611	2235	483	1788	416	1341	350	1171	325	1171	325
31	4416	1291	3974	1011	3532	881	3091	751	2649	620	2208	490	1766	423	1325	356	1156	330	1156	330
32	4362	1311	3926	1027	3489	894	3053	762	2617	630	2181	498	1745	429	1309	361	1142	335	1142	335
33	4308	1331	3877	1042	3446	908	3015	774	2585	639	2154	505	1723	436	1292	366	1128	340	1128	340
34	4254	1350	3829	1057	3403	921	2978	785	2552	649	2127	513	1702	442	1276	372	1114	345	1114	345
35	4200	1370	3780	1073	3360	935	2940	796	2520	658	2100	520	1680	449	1260	377	1100	350	1100	350
36	4146	1390	3731	1088	3317	948	2902	808	2488	668	2073	527	1658	455	1244	383	1086	355	1086	355
37	4092	1409	3683	1104	3274	961	2865	819	2455	677	2046	535	1637	461	1228	388	1072	360	1072	360
38	4038	1429	3634	1119	3231	975	2827	831	2423	686	2019	542	1615	468	1211	393	1058	365	1058	365
39	3984	1449	3586	1134	3188	988	2789	842	2391	696	1992	550	1594	474	1195	399	1044	370	1044	370
40	3931	1468	3537	1150	3144	1002	2751	853	2358	705	1965	557	1572	481	1179	404	1029	375	1029	375
41	3877	1488	3489	1165	3101	1015	2714	865	2326	715	1938	565	1551	487	1163	410	1015	380	1015	380
42	3823	1507	3440	1180	3058	1028	2676	876	2294	724	1911	572	1529	494	1147	415	1001	385	1001	385
43	3769	1527	3392	1196	3015	1042	2638	888	2261	734	1884	580	1508	500	1131	420	987	390	987	390
44	3715	1547	3343	1211	2972	1055	2600	899	2229	743	1857	587	1486	506	1114	426	973	395	973	395
45	3661	1566	3295	1227	2929	1069	2563	911	2197	753	1831	595	1464	513	1098	431	959	400	959	400
46	3607	1586	3246	1242	2886	1082	2525	922	2164	762	1804	602	1443	519	1082	437	945	405	945	405

Heating

Outdoor Temperature DB (°C)	Parts Load (%)																			
	100		90		80		70		60		50		40		30		20		10	
	Q	P	Q	P	Q	P	Q	P	Q	P	Q	P	Q	P	Q	P	Q	P	Q	P
-10	3192	1123	2873	866	2553	754	2234	642	1915	530	1596	418	1277	350	958	282	638	214	543	194
-9	3228	1136	2905	876	2582	763	2259	650	1937	536	1614	423	1291	354	968	285	646	217	549	196
-8	3264	1150	2937	887	2611	772	2285	657	1958	543	1632	428	1305	358	979	289	653	219	555	198
-7	3300	1163	2970	897	2640	781	2310	665	1980	549	1650	433	1320	363	990	292	660	222	561	200
-6	3336	1176	3002	907	2669	790	2335	673	2001	555	1668	438	1334	367	1001	295	667	224	567	203
-5	3372	1190	3034	917	2697	799	2360	680	2023	562	1686	443	1349	371	1011	299	674	227	573	205
-4	3408	1203	3067	928	2726	808	2385	688	2045	568	1704	448	1363	375	1022	302	682	229	579	207
-3	3443	1216	3099	938	2755	817	2410	696	2066	574	1722	453	1377	379	1033	306	689	232	585	210
-2	3479	1230	3131	948	2784	826	2436	703	2088	581	1740	458	1392	383	1044	309	696	234	591	212
-1	3515	1243	3164	959	2812	835	2461	711	2109	587	1758	463	1406	388	1055	312	703	237	598	214
0	3551	1256	3196	969	2841	844	2486	718	2131	593	1776	468	1421	392	1065	316	710	239	604	217
1	3587	1270	3229	979	2870	853	2511	726	2152	600	1794	473	1435	396	1076	319	717	242	610	219
2	3623	1283	3261	990	2899	862	2536	734	2174	606	1812	478	1449	400	1087	322	725	245	616	221
3	3668	1300	3314	1003	2946	873	2578	744	2210	614	1841	484	1473	405	1105	327	737	248	626	224
4	3742	1318	3368	1016	2994	885	2619	754	2245	622	1871	491	1497	411	1123	331	748	251	636	227
5	3801	1335	3421	1030	3041	896	2661	763	2281	630	1901	497	1520	416	1140	335	760	254	646	230
6	4871	1428	4384	1101	3897	959	3410	816	2923	674	2435	532	1948	445	1461	359	974	272	828	246
7	5000	1450	4500	1118	4000	974	3500	829	3000	685	2500	540	2000	452	1500	364	1000	276	850	250
8	5129	1472	4616	1136	4103	989	3590	842	3077	695	2565	548	2052	459	1539	370	1026	281	872	254
9	5258	1495	4732	1153	4206	1004	3681	855	3155	706	2629	557	2103	466	1577	376	1052	285	894	258
10	5387	1517	4848	1170	4310	1019	3771	868	3232	716	2694	565	2155	473	1616	381	1077	289	916	262
11	5516	1540	4965	1188	4413	1034	3861	881	3310	727	2758	573	2206	480	1655	387	1103	293	938	265
12	5645	1562	5081	1205	4516	1049	3952	893	3387	738	2823	582	2258	487	1694	392	1129	298	960	269
13	5774	1585	5197	1222	4619	1064	4042	906	3465	748	2887	590	2310	494	1732	398	1155	302	982	273
14	5903	1607	5313	1240	4723	1079	4132	919	3542	759	2952	599	2361	501	1771	404	1181	306	1004	277
15	6032	1630	5429	1257	4826	1094	4223	932	3619	769	3016	607	2413	508	1810	409	1206	311	1025	281
16	6161	1652	5545	1274	4929	1109	4313	945	3697	780	3081	615	2465	515	1848	415	1232	315	1047	285
17	6290	1675	5661	1291	5032	1125	4403	958	3774	791	3145	624	2516	522	1887	421	1258	319	1069	289
18	6419	1697	5777	1309	5135	1140	4494	970	3852	801	3210	632	2568	529	1926	426	1284	323	1091	293
19	6548	1719	5894	1326	5239	1155	4584	983	3929	812	3274	640	2619	536	1965	432	1310	328	1113	296
20	6677	1742	6010	1343	5342	1170	4674	996	4006	822	3339	649	2671	543	2003	438	1335	332	1135	300
21	6806	1764	6126	1361	5445	1185	4765	1009	4084	833	3403	657	2723	550	2042	443	1361	336	1157	304
22	6935	1787	6242	1378	5548	1200	4855	1022	4161	844	3468	665	2774	557	2081	449	1387	341	1179	308
23	7065	1809	6358																	

Indoor: RAS-B18B2KVG-E
 Outdoor: RAS-18B2AVG-E

Operation range	Cooling		Heating	
	Q	P	Q	P
MINIMUM	W 1100	350	1100	270
RATING	W 5000	1730	5400	1650
MAXIMUM	W 5500	1900	6000	1880

Cooling

Outdoor Temperature DB (°C)	Parts Load (%)																			
	100		90		80		70		60		50		40		30		20		10	
	Q	P	Q	P	Q	P	Q	P	Q	P	Q	P	Q	P	Q	P	Q	P	Q	P
20	5963	1358	5366	1058	4770	919	4174	780	3578	641	2981	502	2385	421	1789	340	1312	275	1312	275
21	5898	1383	5309	1077	4719	936	4129	794	3539	653	2949	512	2359	429	1770	346	1298	280	1298	280
22	5834	1408	5251	1097	4667	953	4084	809	3501	665	2917	521	2334	436	1750	352	1284	285	1284	285
23	5770	1432	5193	1116	4616	969	4039	823	3462	676	2885	530	2308	444	1731	358	1269	290	1269	290
24	5706	1457	5135	1135	4565	986	3994	837	3424	688	2853	539	2282	452	1712	365	1255	295	1255	295
25	5642	1482	5078	1155	4513	1003	3949	851	3385	700	2821	548	2257	460	1693	371	1241	300	1241	300
26	5578	1507	5020	1174	4462	1020	3904	866	3347	712	2789	557	2231	467	1673	377	1227	305	1227	305
27	5513	1532	4962	1193	4411	1037	3859	880	3308	723	2757	567	2205	475	1654	383	1213	310	1213	310
28	5449	1556	4904	1212	4359	1053	3814	894	3270	735	2725	576	2180	483	1635	389	1199	315	1199	315
29	5385	1581	4847	1232	4308	1070	3770	908	3231	747	2693	585	2154	490	1616	396	1185	320	1185	320
30	5321	1606	4789	1251	4257	1087	3725	923	3193	758	2660	594	2128	498	1596	402	1171	325	1171	325
31	5257	1631	4731	1270	4205	1104	3680	937	3154	770	2628	603	2103	506	1577	408	1156	330	1156	330
32	5193	1656	4673	1290	4154	1120	3635	951	3116	782	2596	612	2077	513	1558	414	1142	335	1142	335
33	5128	1680	4616	1309	4103	1137	3590	965	3077	794	2564	622	2051	521	1539	420	1128	340	1128	340
34	5064	1705	4558	1328	4051	1154	3545	980	3039	805	2532	631	2026	529	1519	427	1114	345	1114	345
35	5000	1730	4500	1348	4000	1171	3500	994	3000	817	2500	640	2000	536	1500	433	1100	350	1100	350
36	4936	1755	4442	1367	3949	1188	3455	1008	2962	829	2468	649	1974	544	1481	439	1086	355	1086	355
37	4872	1780	4385	1386	3897	1204	3410	1022	2923	840	2436	658	1949	552	1462	445	1072	360	1072	360
38	4808	1804	4327	1406	3846	1221	3365	1037	2885	852	2404	668	1923	559	1442	451	1058	365	1058	365
39	4743	1829	4269	1425	3795	1238	3320	1051	2846	864	2372	677	1897	567	1423	458	1044	370	1044	370
40	4679	1854	4211	1444	3743	1255	3275	1065	2808	875	2340	686	1872	575	1404	464	1029	375	1029	375
41	4615	1879	4154	1464	3692	1271	3231	1079	2769	887	2308	695	1846	583	1385	470	1015	380	1015	380
42	4551	1904	4096	1483	3641	1288	3186	1094	2731	899	2275	704	1820	590	1365	476	1001	385	1001	385
43	4487	1928	4038	1502	3589	1305	3141	1108	2692	911	2243	713	1795	598	1346	482	987	390	987	390
44	4423	1953	3980	1522	3538	1322	3096	1122	2654	922	2211	723	1769	606	1327	489	973	395	973	395
45	4359	1977	3922	1541	3487	1339	3051	1136	2616	934	2179	732	1743	614	1308	495	959	400	959	400
46	4295	2001	3864	1560	3436	1356	3006	1150	2578	946	2147	741	1717	622	1289	501	945	405	945	405

Heating

Outdoor Temperature DB (°C)	Parts Load (%)																			
	100		90		80		70		60		50		40		30		20		10	
	Q	P	Q	P	Q	P	Q	P	Q	P	Q	P	Q	P	Q	P	Q	P	Q	P
-10	3627	1288	3264	994	2901	859	2539	724	2176	588	1813	453	1451	371	1088	289	739	211	739	211
-9	3651	1303	3286	1005	2920	868	2555	732	2190	595	1825	458	1460	375	1095	293	744	213	744	213
-8	3674	1317	3307	1016	2940	878	2572	740	2205	601	1837	463	1470	379	1102	296	748	216	748	216
-7	3698	1331	3328	1027	2959	887	2589	748	2219	608	1849	468	1479	384	1109	299	753	218	753	218
-6	3722	1346	3350	1038	2978	897	2606	756	2233	614	1861	473	1489	388	1117	302	758	220	758	220
-5	3746	1360	3371	1049	2997	907	2622	764	2248	621	1873	478	1498	392	1124	306	763	223	763	223
-4	3770	1374	3393	1060	3016	916	2639	772	2262	627	1885	483	1508	396	1131	309	768	225	768	225
-3	3794	1389	3414	1072	3035	926	2656	780	2276	634	1897	488	1517	400	1138	312	773	227	773	227
-2	3818	1403	3436	1083	3054	935	2672	788	2291	640	1909	493	1527	404	1145	315	778	230	778	230
-1	3841	1417	3457	1094	3073	945	2689	796	2305	647	1921	498	1537	408	1152	318	783	232	783	232
0	3865	1432	3479	1105	3092	954	2706	804	2319	654	1933	503	1546	412	1160	322	787	234	787	234
1	3889	1446	3500	1116	3111	964	2722	812	2334	660	1945	508	1556	417	1167	325	792	237	792	237
2	3913	1460	3522	1127	3130	973	2739	820	2348	667	1957	513	1565	421	1174	328	797	239	797	239
3	3977	1480	3579	1142	3182	986	2784	831	2386	676	1989	520	1591	426	1193	333	810	242	810	242
4	4041	1499	3637	1157	3233	1000	2829	842	2425	685	2021	527	1616	432	1212	337	823	245	823	245
5	4105	1519	3695	1172	3284	1013	2874	853	2463	694	2053	534	1642	438	1232	341	836	249	836	249
6	4261	1624	4735	1253	4209	1083	3682	912	3156	742	2630	571	2104	468	1578	365	1072	266	1072	266
7	5400	1650	4860	1273	4320	1100	3780	927	3240	753	2700	580	2160	475	1620	371	1100	270	1100	270
8	5539	1676	4985	1293	4431	1117	3878	941	3324	765	2770	589	2216	483	1662	376	1128	274	1128	274
9	5679	1701	5111	1313	4543	1134	3975	955	3407	777	2839	598	2271	490	1704	382	1157	278	1157	278
10	5818	1727	5236	1332	4654	1151	4073	970	3491	788	2909	607	2327	497	1745	388	1185	283	1185	283
11	5957	1752	5362	1352	4766	1168	4170	984	3574	800	2979	616	2383	505	1787	394	1214	287	1214	287
12	6097	1778	5487	1372	4877	1185	4268	998	3658	812	3048	625	2439	512	1829	399	1242	291	1242	291
13	6236	1803	5613	1391	4989	1202	4365	1013	3742	823	3118	634	2494	520	1871	405	1270	295	1270	295
14	6375	1829	5738	1411	5100	1219	4463	1027	3825	835	3188	643	2550	527	1913	411	1299	299	1299	299
15	6515	1854	5863	1431	5212	1236	4560	1041	3909	847	3257	652	2606	534	1954	417	1327	303	1327	303
16	6654	1880	5989	1451	5323	1253	4658	1056	3993	858	3327	661	2662	542	1996	422	1355	308	1355	308
17	6794	1905	6114	1470	5435	1270	4755	1070	4076	870	3397	670	2717	549	2038	428	1384	312	1384	312
18	6933	1931	6240	1490	5546	1287	4853	1084	4160	882	3466	679	2773	556	2080	434	1412	316	1412	316
19	7072	1957	6365	1510	5658	1304	4951	1099	4243	893	3536	688	2829	564	2122	440	1441	320	1441	320
20	7212	1982	6490	1529	5769	1321	5048	1113	4327	905	3606	697	2885	571	2163	445	1469	324	1469	324
21	7351	2008	6616	1549	5881	1338	5146	1127	4411	917	3675	706	2940	578	2205	451	1497	329	1497	329
22	7490	2033	6741	1569	5992	1355	5243	1142	4494	928	3745	715	2996	586	2247	457				

Indoor: RAS-B24B2KVG-E
 Outdoor: RAS-24B2AVG-E

Operation range	Cooling		Heating	
	Q	P	Q	P
MINIMUM	W 1100	300	1200	270
RATING	W 6500	2300	7000	2100
MAXIMUM	W 7100	2400	8000	2500

Cooling

Outdoor Temperature DB (°C)	Parts Load (%)																			
	100		90		80		70		60		50		40		30		20		10	
	Q	P	Q	P	Q	P	Q	P	Q	P	Q	P	Q	P	Q	P	Q	P	Q	P
20	7751	1806	6976	1368	6201	1179	5426	990	4651	801	3876	612	3101	498	2325	384	1550	271	1312	236
21	7668	1838	6901	1393	6134	1201	5367	1008	4601	816	3834	623	3067	507	2300	391	1534	275	1298	240
22	7584	1871	6826	1418	6068	1222	5309	1026	4551	831	3792	635	3034	517	2275	399	1517	280	1284	244
23	7501	1904	6751	1443	6001	1244	5251	1045	4501	845	3751	646	3000	526	2250	406	1500	285	1269	248
24	7418	1937	6676	1468	5934	1265	5192	1063	4451	860	3709	657	2967	535	2225	413	1484	290	1255	253
25	7334	1970	6601	1493	5867	1287	5134	1081	4401	874	3667	668	2934	544	2200	420	1467	295	1241	257
26	7251	2003	6526	1518	5801	1308	5076	1099	4350	889	3625	679	2900	553	2175	427	1450	300	1227	261
27	7167	2036	6451	1543	5734	1330	5017	1117	4300	904	3584	691	2867	562	2150	434	1433	305	1213	266
28	7084	2069	6376	1568	5667	1351	4959	1135	4250	918	3542	702	2834	571	2125	441	1417	310	1199	270
29	7001	2102	6300	1593	5600	1373	4900	1153	4200	933	3500	713	2800	580	2100	448	1400	315	1185	274
30	6917	2135	6225	1618	5534	1395	4842	1171	4150	948	3459	724	2767	589	2075	455	1383	320	1171	279
31	6834	2168	6150	1643	5467	1416	4784	1189	4100	962	3417	735	2733	598	2050	462	1367	325	1156	283
32	6750	2201	6075	1668	5400	1438	4725	1207	4050	977	3375	746	2700	608	2025	469	1350	330	1142	287
33	6667	2234	6000	1693	5333	1459	4667	1225	4000	991	3333	758	2667	617	2000	476	1333	335	1128	291
34	6583	2267	5925	1718	5267	1481	4608	1243	3950	1006	3292	769	2633	626	1975	483	1317	340	1114	296
35	6500	2300	5850	1743	5200	1502	4550	1261	3900	1021	3250	780	2600	635	1950	490	1300	345	1100	300
36	6417	2333	5775	1768	5133	1524	4492	1280	3850	1035	3208	791	2567	644	1925	497	1283	350	1086	304
37	6333	2366	5700	1793	5067	1545	4433	1298	3800	1050	3167	802	2533	653	1900	504	1267	355	1072	309
38	6250	2399	5625	1818	5000	1567	4375	1316	3750	1065	3125	814	2500	662	1875	511	1250	359	1058	313
39	6166	2432	5550	1843	4933	1588	4316	1334	3700	1079	3083	825	2467	671	1850	518	1233	364	1044	317
40	6083	2465	5475	1868	4866	1610	4258	1352	3650	1094	3041	836	2433	680	1825	525	1217	369	1029	322
41	6000	2498	5400	1893	4800	1631	4200	1370	3600	1109	3000	847	2400	689	1800	532	1200	374	1015	326
42	5916	2531	5324	1918	4733	1653	4141	1388	3550	1123	2958	858	2366	699	1775	539	1183	379	1001	330
43	5833	2564	5249	1943	4666	1674	4083	1406	3500	1138	2916	869	2333	708	1750	546	1167	384	987	334
44	5749	2597	5174	1968	4599	1696	4024	1424	3450	1152	2875	881	2300	717	1725	553	1150	389	973	339
45	4567	2119	4110	1606	3653	1384	3197	1162	2740	941	2283	719	1827	585	1370	451	913	318	773	276
46	4444	2119	3999	1606	3555	1384	3111	1162	2666	941	2222	719	1777	585	1333	451	889	318	752	276

Heating

Outdoor Temperature DB (°C)	Parts Load (%)																			
	100		90		80		70		60		50		40		30		20		10	
	Q	P	Q	P	Q	P	Q	P	Q	P	Q	P	Q	P	Q	P	Q	P	Q	P
-10	4450	1549	4005	1190	3560	1027	3115	864	2670	701	2225	538	1780	435	1335	332	890	229	763	199
-9	4501	1574	4051	1210	3601	1044	3151	879	2701	713	2251	547	1801	442	1350	337	900	232	772	202
-8	4553	1600	4098	1230	3643	1061	3187	893	2732	725	2277	556	1821	450	1366	343	911	236	781	206
-7	4605	1626	4145	1249	3684	1078	3224	907	2763	736	2303	565	1842	457	1382	348	921	240	789	209
-6	4657	1652	4191	1269	3726	1095	3260	922	2794	748	2329	574	1863	464	1397	354	931	244	798	212
-5	4709	1678	4238	1289	3767	1113	3296	936	2825	760	2355	583	1884	471	1413	360	942	248	807	216
-4	4761	1704	4285	1309	3809	1130	3333	951	2857	771	2380	592	1904	479	1428	365	952	251	816	219
-3	4813	1729	4332	1329	3850	1147	3369	965	2888	783	2406	601	1925	486	1444	371	963	255	825	222
-2	4865	1755	4378	1349	3892	1164	3405	979	2919	795	2432	610	1946	493	1459	376	973	259	834	226
-1	4917	1781	4425	1368	3933	1181	3442	994	2950	806	2458	619	1967	500	1475	382	983	263	843	229
0	4969	1807	4472	1388	3975	1198	3478	1008	2981	818	2484	628	1987	508	1491	387	994	267	852	232
1	5021	1833	4518	1408	4016	1215	3514	1023	3012	830	2510	637	2008	515	1506	393	1004	271	861	236
2	5072	1858	4565	1428	4058	1232	3551	1037	3043	841	2536	646	2029	522	1522	398	1014	274	870	239
3	5156	1883	4640	1447	4124	1249	3609	1051	3093	853	2578	655	2062	529	1547	404	1031	278	884	242
4	5239	1908	4715	1466	4191	1266	3667	1065	3143	864	2619	663	2095	536	1572	409	1048	282	898	245
5	5322	1933	4790	1485	4257	1282	3725	1079	3193	875	2661	672	2129	543	1597	414	1064	285	912	249
6	6819	2067	6137	1588	5455	1371	4774	1154	4092	936	3410	719	2728	581	2046	443	1364	305	1169	266
7	7000	2100	6300	1613	5600	1393	4900	1172	4200	951	3500	730	2800	590	2100	450	1400	310	1200	270
8	7181	2133	6463	1638	5745	1414	5026	1190	4308	966	3590	741	2872	599	2154	457	1436	315	1231	274
9	7361	2165	6625	1663	5889	1436	5153	1208	4417	980	3681	753	2945	608	2208	464	1472	320	1262	278
10	7542	2198	6788	1688	6034	1457	5279	1226	4525	995	3771	764	3017	617	2263	471	1508	324	1293	283
11	7723	2230	6950	1713	6178	1479	5406	1244	4634	1010	3861	775	3089	627	2317	478	1545	329	1324	287
12	7903	2263	7113	1738	6323	1500	5532	1262	4742	1024	3952	787	3161	636	2371	485	1581	334	1355	291
13	8084	2295	7275	1763	6467	1522	5659	1281	4850	1039	4042	798	3234	645	2425	492	1617	339	1386	295
14	8265	2328	7438	1788	6612	1544	5785	1299	4959	1054	4132	809	3306	654	2479	499	1653	344	1417	299
15	8445	2360	7601	1813	6756	1565	5912	1317	5067	1069	4223	820	3378	663	2534	506	1689	348	1448	303
16	8626	2393	7763	1838	6901	1587	6038	1335	5175	1083	4313	832	3450	672	2588	513	1725	353	1479	308
17	8806	2425	7926	1863	7045	1608	6165	1353	5284	1098	4403	843	3523	681	2642	520	1761	358	1510	312
18	8987	2458	8088	1888	7190	1630	6291	1371	5392	1113	4494	854	3595	690	2696	527	1797	363	1541	316
19	9168	2490	8251	1913	7334	1651	6417	1389	5501	1128	4584	866	3667	700	2750	534	1834	368	1572	320
20	9348	2523	8414	1938	7479	1673	6544	1408	5609	1142	4674	877	3739	709	2805	541	1870	372	1603	324
21	9529	2555	8576	1963	7623	1694	6670	1426	5717	1157	4765	888	3812	718	2859	548	1906	377	1634	329
22	9710	2588	8739	1988	7768	1716	6797													

10. Performance Characteristic

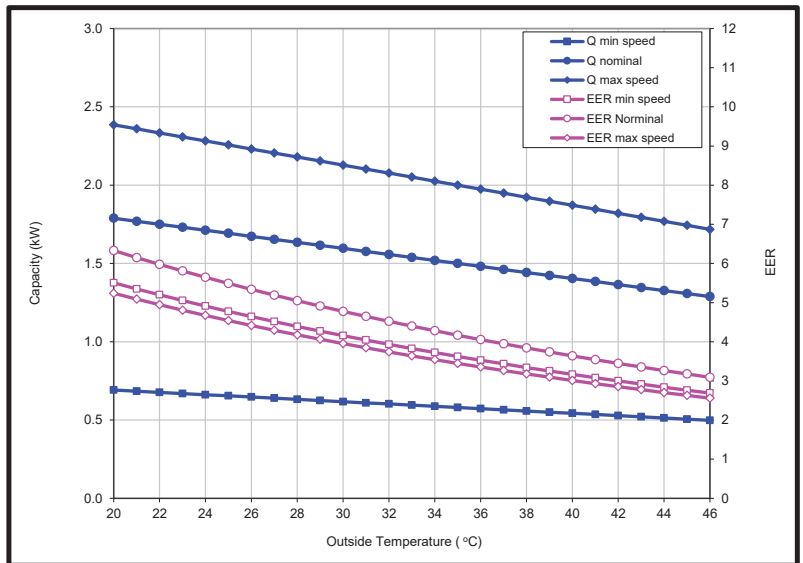
Model : RAS-B05B2KVG-E ; RAS-05B2AVG-E

Product specification :

Condition		Capacity (kW)	Power (kW)	EER/COP
Cooling JIS In: 27°C DB/19°C WB Out: 35°C DB/24°C WB	Min	0.58	0.16	3.63
	Rated	1.50	0.36	4.17
	Max	2.00	0.58	3.45
Heating JIS In: 20°C DB/15°C WB Out: 7°C DB/6°C WB	Min	0.58	0.14	4.14
	Rated	2.00	0.47	4.26
	Max	3.00	0.85	3.53
Heating Low Temp. In: 20°C DB/15°C WB Out: 2°C DB/1°C WB	Max	1.70	0.80	2.13
	Max	1.50	0.70	2.14

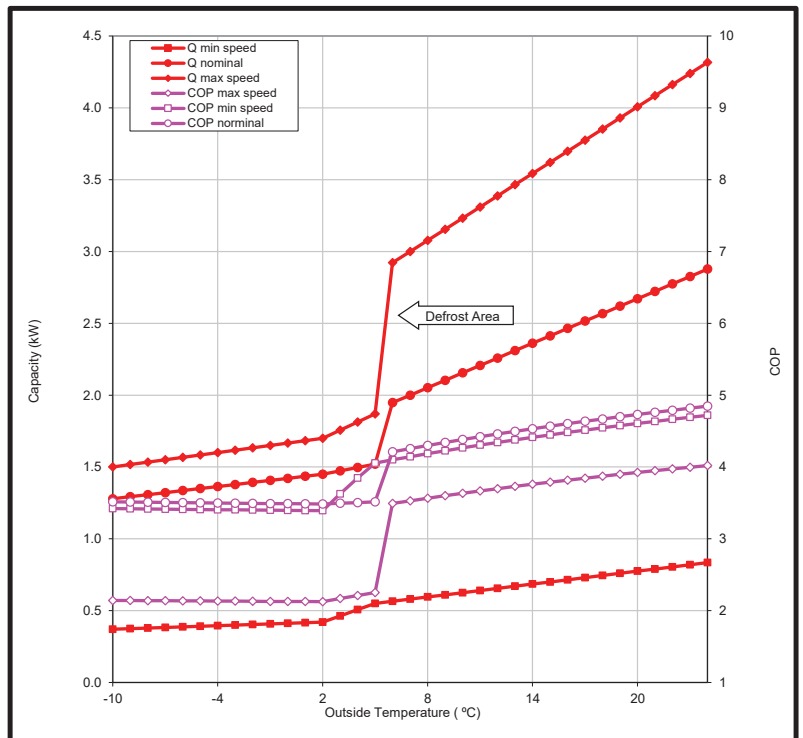
Cooling performance characteristic :

Outside Temp (°C)	Min capacity			Nominal capacity			Max capacity		
	Capacity (kW)	Power (kW)	EER (-)	Capacity (kW)	Power (kW)	EER (-)	Capacity (kW)	Power (kW)	EER (-)
20	0.69	0.13	5.51	1.79	0.28	6.33	2.39	0.46	5.24
21	0.68	0.13	5.35	1.77	0.29	6.15	2.36	0.46	5.09
22	0.68	0.13	5.20	1.75	0.29	5.98	2.33	0.47	4.94
23	0.67	0.13	5.05	1.73	0.30	5.81	2.31	0.48	4.81
24	0.66	0.13	4.91	1.71	0.30	5.64	2.28	0.49	4.67
25	0.65	0.14	4.77	1.69	0.31	5.49	2.26	0.50	4.54
26	0.65	0.14	4.64	1.67	0.31	5.34	2.23	0.51	4.42
27	0.64	0.14	4.51	1.65	0.32	5.19	2.21	0.51	4.29
28	0.63	0.14	4.39	1.63	0.32	5.05	2.18	0.52	4.18
29	0.62	0.15	4.27	1.62	0.33	4.91	2.15	0.53	4.06
30	0.62	0.15	4.16	1.60	0.33	4.78	2.13	0.54	3.95
31	0.61	0.15	4.04	1.58	0.34	4.65	2.10	0.55	3.85
32	0.60	0.15	3.93	1.56	0.34	4.52	2.08	0.56	3.74
33	0.59	0.16	3.83	1.54	0.35	4.40	2.05	0.56	3.64
34	0.59	0.16	3.72	1.52	0.35	4.28	2.03	0.57	3.54
35	0.58	0.16	3.63	1.50	0.36	4.17	2.00	0.58	3.45
36	0.57	0.16	3.53	1.48	0.37	4.06	1.97	0.59	3.36
37	0.57	0.16	3.43	1.46	0.37	3.95	1.95	0.60	3.27
38	0.56	0.17	3.34	1.44	0.38	3.84	1.92	0.60	3.18
39	0.55	0.17	3.25	1.42	0.38	3.74	1.90	0.61	3.09
40	0.54	0.17	3.17	1.40	0.39	3.64	1.87	0.62	3.01
41	0.54	0.17	3.08	1.38	0.39	3.54	1.85	0.63	2.93
42	0.53	0.18	3.00	1.37	0.40	3.45	1.82	0.64	2.85
43	0.52	0.18	2.92	1.35	0.40	3.35	1.79	0.65	2.78
44	0.51	0.18	2.84	1.33	0.41	3.26	1.77	0.65	2.70
45	0.51	0.18	2.76	1.31	0.41	3.18	1.74	0.66	2.63
46	0.50	0.19	2.69	1.29	0.42	3.09	1.72	0.67	2.56



Heating performance characteristic :

Outside Temp (°C)	Min capacity			Nominal capacity			Max capacity		
	Capacity (kW)	Power (kW)	COP (-)	Capacity (kW)	Power (kW)	COP (-)	Capacity (kW)	Power (kW)	COP (-)
-10	0.37	0.11	3.42	1.28	0.36	3.51	1.50	0.70	2.14
-9	0.37	0.11	3.42	1.29	0.37	3.51	1.52	0.71	2.14
-8	0.38	0.11	3.42	1.31	0.37	3.51	1.53	0.72	2.14
-7	0.38	0.11	3.41	1.32	0.38	3.51	1.55	0.73	2.14
-6	0.39	0.11	3.41	1.34	0.38	3.50	1.57	0.73	2.14
-5	0.39	0.11	3.41	1.35	0.39	3.50	1.58	0.74	2.13
-4	0.40	0.12	3.41	1.36	0.39	3.50	1.60	0.75	2.13
-3	0.40	0.12	3.40	1.38	0.39	3.50	1.62	0.76	2.13
-2	0.40	0.12	3.40	1.39	0.40	3.49	1.63	0.77	2.13
-1	0.41	0.12	3.40	1.41	0.40	3.49	1.65	0.78	2.13
0	0.41	0.12	3.40	1.42	0.41	3.49	1.67	0.78	2.13
1	0.42	0.12	3.39	1.44	0.41	3.49	1.68	0.79	2.13
2	0.42	0.12	3.39	1.45	0.42	3.48	1.70	0.80	2.13
3	0.46	0.13	3.63	1.47	0.42	3.49	1.76	0.81	2.17
4	0.51	0.13	3.85	1.50	0.43	3.50	1.81	0.82	2.21
5	0.55	0.14	4.05	1.52	0.43	3.51	1.87	0.83	2.25
6	0.57	0.14	4.10	1.95	0.46	4.21	2.92	0.84	3.49
7	0.58	0.14	4.14	2.00	0.47	4.26	3.00	0.85	3.53
8	0.59	0.14	4.18	2.05	0.48	4.30	3.08	0.86	3.57
9	0.61	0.14	4.23	2.10	0.48	4.34	3.15	0.88	3.60
10	0.62	0.15	4.27	2.15	0.49	4.38	3.23	0.89	3.63
11	0.64	0.15	4.30	2.21	0.50	4.42	3.31	0.90	3.67
12	0.65	0.15	4.34	2.26	0.51	4.46	3.39	0.92	3.70
13	0.67	0.15	4.38	2.31	0.51	4.50	3.46	0.93	3.73
14	0.68	0.16	4.41	2.36	0.52	4.53	3.54	0.94	3.76
15	0.70	0.16	4.45	2.41	0.53	4.57	3.62	0.96	3.79
16	0.71	0.16	4.48	2.46	0.54	4.60	3.70	0.97	3.82
17	0.73	0.16	4.51	2.52	0.54	4.64	3.77	0.98	3.84
18	0.74	0.16	4.54	2.57	0.55	4.67	3.85	0.99	3.87
19	0.76	0.17	4.58	2.62	0.56	4.70	3.93	1.01	3.90
20	0.77	0.17	4.61	2.67	0.56	4.73	4.01	1.02	3.92
21	0.79	0.17	4.63	2.72	0.57	4.76	4.08	1.03	3.95
22	0.80	0.17	4.66	2.77	0.58	4.79	4.16	1.05	3.97
23	0.82	0.17	4.69	2.83	0.59	4.82	4.24	1.06	4.00
24	0.83	0.18	4.72	2.88	0.59	4.85	4.32	1.07	4.02



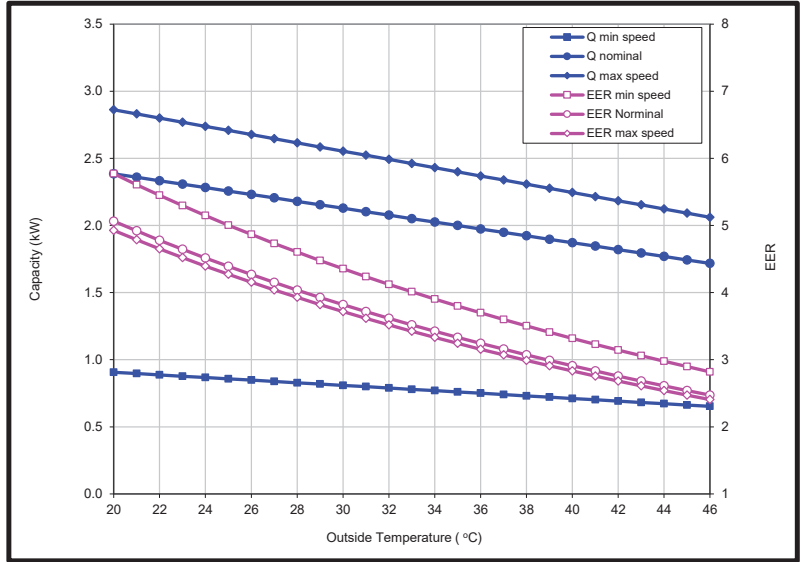
Model : RAS-B07B2KVG-E ; RAS-07B2AVG-E

Product specification :

Condition		Capacity (kW)	Power (kW)	EER/COP
Cooling JIS In: 27°C DB/19°C WB Out: 35°C DB/24°C WB	Min	0.76	0.20	3.80
	Rated	2.00	0.60	3.33
	Max	2.40	0.74	3.24
Heating JIS In: 20°C DB/15°C WB Out: 7°C DB/6°C WB	Min	0.76	0.16	4.75
	Rated	2.50	0.64	3.91
	Max	3.30	0.94	3.51
Heating Low Temp. In: 20°C DB/15°C WB Out: 2°C DB/1°C WB	Max	1.90	0.85	2.24
	Max	1.60	0.75	2.13

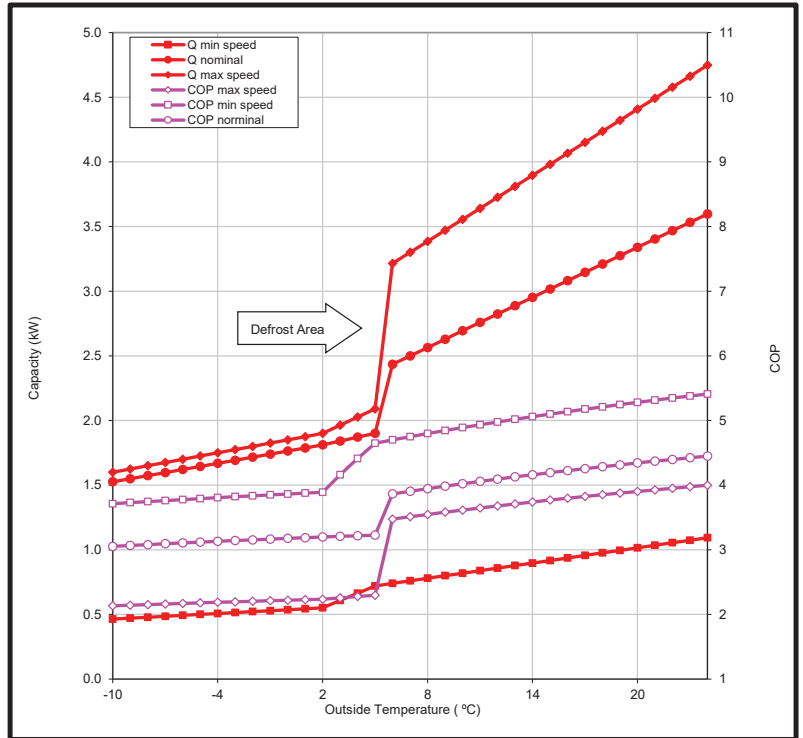
Cooling performance characteristic :

Outside Temp (°C)	Min capacity			Nominal capacity			Max capacity		
	Capacity (kW)	Power (kW)	EER (-)	Capacity (kW)	Power (kW)	EER (-)	Capacity (kW)	Power (kW)	EER (-)
20	0.91	0.16	5.77	2.39	0.47	5.06	2.86	0.58	4.93
21	0.90	0.16	5.61	2.36	0.48	4.92	2.83	0.59	4.79
22	0.89	0.16	5.45	2.33	0.49	4.78	2.80	0.60	4.65
23	0.88	0.17	5.30	2.31	0.50	4.65	2.77	0.61	4.52
24	0.87	0.17	5.15	2.28	0.51	4.52	2.74	0.62	4.39
25	0.86	0.17	5.01	2.26	0.51	4.39	2.71	0.63	4.27
26	0.85	0.17	4.87	2.23	0.52	4.27	2.68	0.64	4.15
27	0.84	0.18	4.73	2.21	0.53	4.15	2.65	0.66	4.04
28	0.83	0.18	4.60	2.18	0.54	4.04	2.62	0.67	3.93
29	0.82	0.18	4.48	2.15	0.55	3.93	2.58	0.68	3.82
30	0.81	0.19	4.36	2.13	0.56	3.82	2.55	0.69	3.72
31	0.80	0.19	4.24	2.10	0.57	3.72	2.52	0.70	3.62
32	0.79	0.19	4.12	2.08	0.57	3.62	2.49	0.71	3.52
33	0.78	0.19	4.01	2.05	0.58	3.52	2.46	0.72	3.42
34	0.77	0.20	3.90	2.03	0.59	3.43	2.43	0.73	3.33
35	0.76	0.20	3.80	2.00	0.60	3.33	2.40	0.74	3.24
36	0.75	0.20	3.70	1.97	0.61	3.24	2.37	0.75	3.16
37	0.74	0.21	3.60	1.95	0.62	3.16	2.34	0.76	3.07
38	0.73	0.21	3.50	1.92	0.63	3.07	2.31	0.77	2.99
39	0.72	0.21	3.41	1.90	0.63	2.99	2.28	0.78	2.91
40	0.71	0.21	3.32	1.87	0.64	2.91	2.25	0.79	2.83
41	0.70	0.22	3.23	1.85	0.65	2.83	2.22	0.80	2.76
42	0.69	0.22	3.14	1.82	0.66	2.76	2.18	0.81	2.68
43	0.68	0.22	3.06	1.79	0.67	2.68	2.15	0.82	2.61
44	0.67	0.23	2.98	1.77	0.68	2.61	2.12	0.84	2.54
45	0.66	0.23	2.90	1.74	0.69	2.54	2.09	0.85	2.47
46	0.65	0.23	2.82	1.72	0.69	2.47	2.06	0.86	2.41



Heating performance characteristic :

Outside Temp (°C)	Min capacity			Nominal capacity			Max capacity		
	Capacity (kW)	Power (kW)	COP (-)	Capacity (kW)	Power (kW)	COP (-)	Capacity (kW)	Power (kW)	COP (-)
-10	0.46	0.12	3.71	1.53	0.50	3.05	1.60	0.75	2.13
-9	0.47	0.13	3.73	1.55	0.51	3.07	1.63	0.76	2.14
-8	0.48	0.13	3.74	1.57	0.51	3.08	1.65	0.77	2.15
-7	0.49	0.13	3.76	1.60	0.52	3.09	1.68	0.78	2.16
-6	0.49	0.13	3.78	1.62	0.52	3.11	1.70	0.78	2.17
-5	0.50	0.13	3.79	1.64	0.53	3.12	1.73	0.79	2.18
-4	0.51	0.13	3.81	1.67	0.53	3.13	1.75	0.80	2.19
-3	0.51	0.13	3.82	1.69	0.54	3.14	1.78	0.81	2.20
-2	0.52	0.14	3.84	1.72	0.54	3.15	1.80	0.82	2.20
-1	0.53	0.14	3.85	1.74	0.55	3.17	1.83	0.83	2.21
0	0.54	0.14	3.86	1.76	0.56	3.18	1.85	0.83	2.22
1	0.54	0.14	3.88	1.79	0.56	3.19	1.88	0.84	2.23
2	0.55	0.14	3.89	1.81	0.57	3.20	1.90	0.85	2.24
3	0.61	0.15	4.16	1.84	0.57	3.21	1.96	0.87	2.26
4	0.66	0.15	4.41	1.87	0.58	3.22	2.03	0.89	2.28
5	0.72	0.16	4.65	1.90	0.59	3.23	2.09	0.91	2.30
6	0.74	0.16	4.70	2.44	0.63	3.87	3.21	0.93	3.47
7	0.76	0.16	4.75	2.50	0.64	3.91	3.30	0.94	3.51
8	0.78	0.16	4.80	2.56	0.65	3.95	3.39	0.95	3.55
9	0.80	0.16	4.85	2.63	0.66	3.98	3.47	0.97	3.58
10	0.82	0.17	4.89	2.69	0.67	4.02	3.56	0.98	3.61
11	0.84	0.17	4.93	2.76	0.68	4.06	3.64	1.00	3.65
12	0.86	0.17	4.98	2.82	0.69	4.09	3.73	1.01	3.68
13	0.88	0.17	5.02	2.89	0.70	4.13	3.81	1.03	3.71
14	0.90	0.18	5.06	2.95	0.71	4.16	3.90	1.04	3.74
15	0.92	0.18	5.10	3.02	0.72	4.19	3.98	1.06	3.77
16	0.94	0.18	5.14	3.08	0.73	4.22	4.07	1.07	3.80
17	0.96	0.18	5.17	3.15	0.74	4.26	4.15	1.09	3.82
18	0.98	0.19	5.21	3.21	0.75	4.29	4.24	1.10	3.85
19	1.00	0.19	5.25	3.27	0.76	4.31	4.32	1.11	3.88
20	1.01	0.19	5.28	3.34	0.77	4.34	4.41	1.13	3.90
21	1.03	0.19	5.31	3.40	0.78	4.37	4.49	1.14	3.93
22	1.05	0.20	5.35	3.47	0.79	4.40	4.58	1.16	3.95
23	1.07	0.20	5.38	3.53	0.80	4.42	4.66	1.17	3.98
24	1.09	0.20	5.41	3.60	0.81	4.45	4.75	1.19	4.00



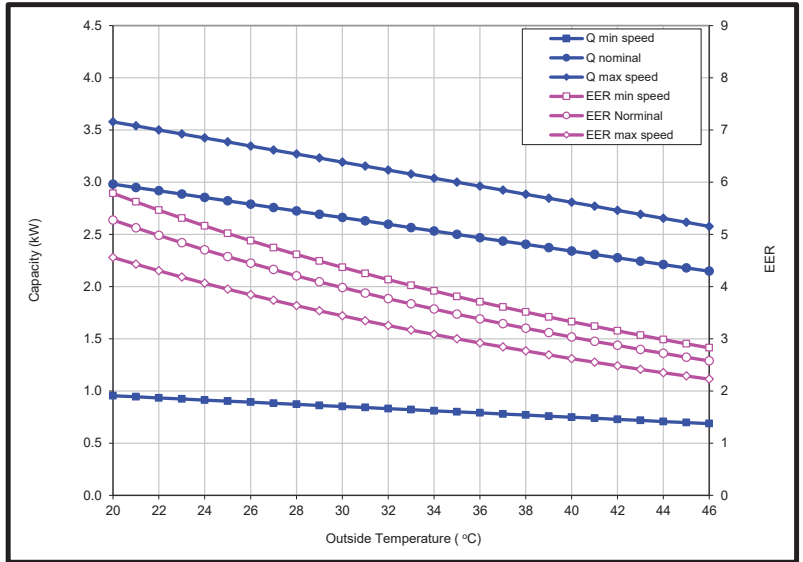
Model : RAS-B10B2KVG-E ; RAS-10B2AVG-E

Product specification :

Condition		Capacity (kW)	Power (kW)	EER/COP
Cooling JIS In: 27°C DB/19°C WB Out: 35°C DB/24°C WB	Min	0.80	0.21	3.81
	Rated	2.50	0.72	3.47
	Max	3.00	1.00	3.00
Heating JIS In: 20°C DB/15°C WB Out: 7°C DB/6°C WB	Min	0.76	0.18	4.22
	Rated	3.20	0.84	3.81
	Max	3.90	1.10	3.55
Heating Low Temp. In: 20°C DB/15°C WB Out: 2°C DB/1°C WB	Max	2.50	1.00	2.50
	Max	2.20	0.90	2.44

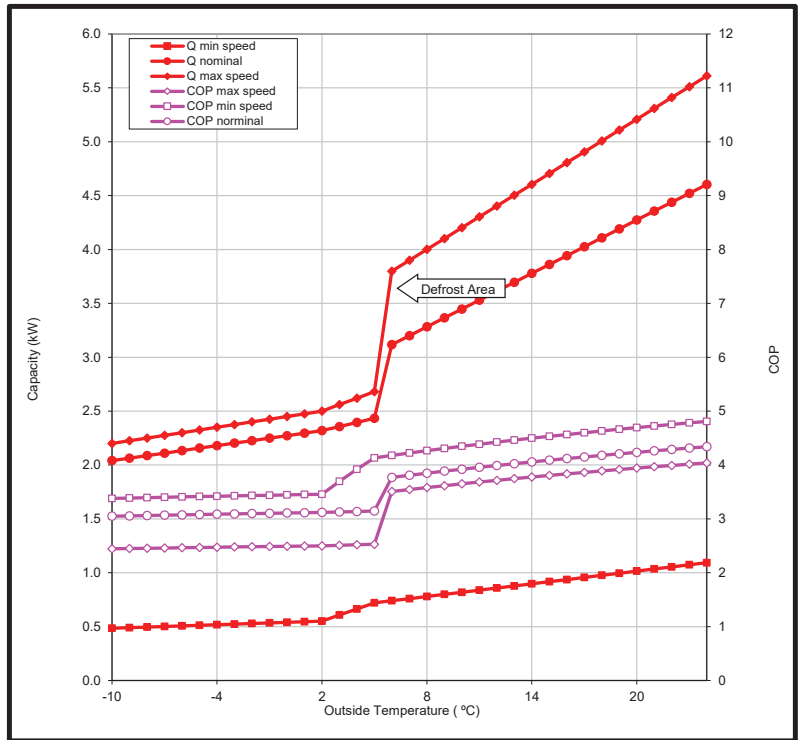
Cooling performance characteristic :

Outside Temp (°C)	Min capacity			Nominal capacity			Max capacity		
	Capacity (kW)	Power (kW)	EER (-)	Capacity (kW)	Power (kW)	EER (-)	Capacity (kW)	Power (kW)	EER (-)
20	0.95	0.16	5.79	2.98	0.57	5.27	3.58	0.79	4.56
21	0.94	0.17	5.62	2.95	0.58	5.12	3.54	0.80	4.43
22	0.93	0.17	5.46	2.92	0.59	4.98	3.50	0.81	4.30
23	0.92	0.17	5.31	2.89	0.60	4.84	3.46	0.83	4.18
24	0.91	0.18	5.16	2.85	0.61	4.70	3.42	0.84	4.06
25	0.90	0.18	5.02	2.82	0.62	4.57	3.39	0.86	3.95
26	0.89	0.18	4.88	2.79	0.63	4.45	3.35	0.87	3.84
27	0.88	0.19	4.74	2.76	0.64	4.32	3.31	0.89	3.74
28	0.87	0.19	4.61	2.72	0.65	4.21	3.27	0.90	3.63
29	0.86	0.19	4.49	2.69	0.66	4.09	3.23	0.91	3.54
30	0.85	0.19	4.37	2.66	0.67	3.98	3.19	0.93	3.44
31	0.84	0.20	4.25	2.63	0.68	3.87	3.15	0.94	3.35
32	0.83	0.20	4.13	2.60	0.69	3.77	3.12	0.96	3.26
33	0.82	0.20	4.02	2.56	0.70	3.67	3.08	0.97	3.17
34	0.81	0.21	3.91	2.53	0.71	3.57	3.04	0.99	3.08
35	0.80	0.21	3.81	2.50	0.72	3.47	3.00	1.00	3.00
36	0.79	0.21	3.71	2.47	0.73	3.38	2.96	1.01	2.92
37	0.78	0.22	3.61	2.44	0.74	3.29	2.92	1.03	2.84
38	0.77	0.22	3.51	2.40	0.75	3.20	2.88	1.04	2.77
39	0.76	0.22	3.42	2.37	0.76	3.12	2.85	1.06	2.69
40	0.75	0.23	3.33	2.34	0.77	3.03	2.81	1.07	2.62
41	0.74	0.23	3.24	2.31	0.78	2.95	2.77	1.09	2.55
42	0.73	0.23	3.15	2.28	0.79	2.87	2.73	1.10	2.48
43	0.72	0.23	3.07	2.24	0.80	2.80	2.69	1.11	2.42
44	0.71	0.24	2.98	2.21	0.81	2.72	2.65	1.13	2.35
45	0.70	0.24	2.90	2.18	0.82	2.65	2.62	1.14	2.29
46	0.69	0.24	2.83	2.15	0.83	2.58	2.58	1.16	2.23



Heating performance characteristic :

Outside Temp (°C)	Min capacity			Nominal capacity			Max capacity		
	Capacity (kW)	Power (kW)	COP (-)	Capacity (kW)	Power (kW)	COP (-)	Capacity (kW)	Power (kW)	COP (-)
-10	0.48	0.14	3.38	2.04	0.67	3.05	2.20	0.90	2.44
-9	0.49	0.14	3.39	2.06	0.68	3.06	2.23	0.91	2.45
-8	0.50	0.15	3.39	2.09	0.68	3.06	2.25	0.92	2.45
-7	0.50	0.15	3.40	2.11	0.69	3.07	2.28	0.93	2.46
-6	0.51	0.15	3.41	2.13	0.69	3.07	2.30	0.93	2.46
-5	0.51	0.15	3.41	2.16	0.70	3.08	2.33	0.94	2.47
-4	0.52	0.15	3.42	2.18	0.71	3.09	2.35	0.95	2.47
-3	0.52	0.15	3.43	2.20	0.71	3.09	2.38	0.96	2.48
-2	0.53	0.15	3.43	2.23	0.72	3.10	2.40	0.97	2.48
-1	0.53	0.16	3.44	2.25	0.72	3.10	2.43	0.98	2.49
0	0.54	0.16	3.45	2.27	0.73	3.11	2.45	0.98	2.49
1	0.55	0.16	3.45	2.30	0.74	3.11	2.48	0.99	2.50
2	0.55	0.16	3.46	2.32	0.74	3.12	2.50	1.00	2.50
3	0.61	0.16	3.70	2.36	0.75	3.13	2.56	1.02	2.51
4	0.66	0.17	3.92	2.39	0.76	3.14	2.62	1.04	2.52
5	0.72	0.17	4.13	2.43	0.77	3.15	2.68	1.06	2.53
6	0.74	0.18	4.18	3.12	0.83	3.77	3.80	1.08	3.51
7	0.76	0.18	4.22	3.20	0.84	3.81	3.90	1.10	3.55
8	0.78	0.18	4.27	3.28	0.85	3.85	4.00	1.12	3.58
9	0.80	0.19	4.31	3.37	0.87	3.89	4.10	1.13	3.62
10	0.82	0.19	4.35	3.45	0.88	3.92	4.20	1.15	3.65
11	0.84	0.19	4.39	3.53	0.89	3.96	4.30	1.17	3.68
12	0.86	0.19	4.42	3.61	0.91	3.99	4.40	1.19	3.72
13	0.88	0.20	4.46	3.70	0.92	4.03	4.50	1.20	3.75
14	0.90	0.20	4.50	3.78	0.93	4.06	4.60	1.22	3.78
15	0.92	0.20	4.53	3.86	0.94	4.09	4.71	1.24	3.81
16	0.94	0.21	4.57	3.94	0.96	4.12	4.81	1.25	3.83
17	0.96	0.21	4.60	4.03	0.97	4.15	4.91	1.27	3.86
18	0.98	0.21	4.63	4.11	0.98	4.18	5.01	1.29	3.89
19	1.00	0.21	4.66	4.19	1.00	4.21	5.11	1.30	3.92
20	1.01	0.22	4.69	4.27	1.01	4.24	5.21	1.32	3.94
21	1.03	0.22	4.72	4.36	1.02	4.26	5.31	1.34	3.97
22	1.05	0.22	4.75	4.44	1.04	4.29	5.41	1.36	3.99
23	1.07	0.22	4.78	4.52	1.05	4.31	5.51	1.37	4.01
24	1.09	0.23	4.81	4.60	1.06	4.34	5.61	1.39	4.04



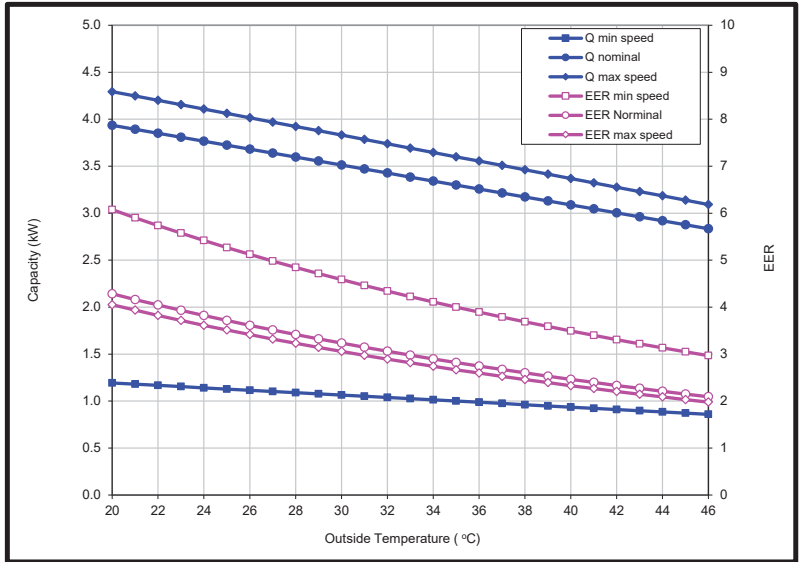
Model : RAS-B13B2KVG-E ; RAS-13B2AVG-E

Product specification :

Condition		Capacity (kW)	Power (kW)	EER/COP
Cooling JIS In: 27°C DB/19°C WB Out: 35°C DB/24°C WB	Min	1.00	0.25	4.00
	Rated	3.30	1.17	2.82
	Max	3.60	1.35	2.67
Heating JIS In: 20°C DB/15°C WB Out: 7°C DB/6°C WB	Min	0.76	0.18	4.22
	Rated	3.60	1.02	3.53
	Max	4.50	1.25	3.60
Heating Low Temp. In: 20°C DB/15°C WB Out: 2°C DB/1°C WB	Max	3.00	1.15	2.61
Heating Low Temp. In: 20°C DB/15°C WB Out: -10°C DB	Max	2.50	1.05	2.38

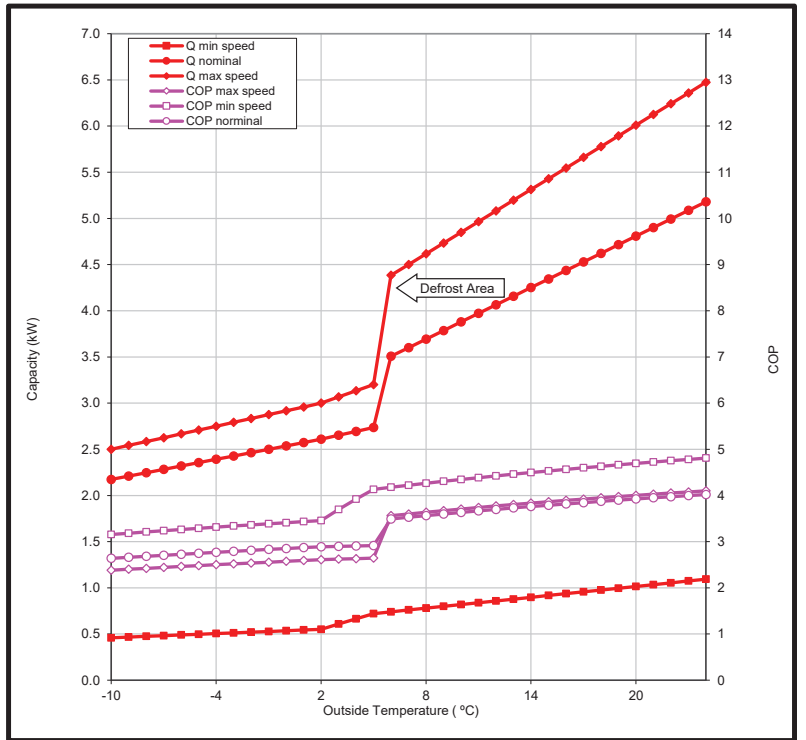
Cooling performance characteristic :

Outside Temp (°C)	Min capacity			Nominal capacity			Max capacity		
	Capacity (kW)	Power (kW)	EER (-)	Capacity (kW)	Power (kW)	EER (-)	Capacity (kW)	Power (kW)	EER (-)
20	1.19	0.20	6.08	3.94	0.92	4.28	4.29	1.06	4.05
21	1.18	0.20	5.90	3.89	0.94	4.16	4.25	1.08	3.94
22	1.17	0.20	5.74	3.85	0.95	4.04	4.20	1.10	3.82
23	1.15	0.21	5.57	3.81	0.97	3.93	4.15	1.12	3.72
24	1.14	0.21	5.42	3.77	0.99	3.82	4.11	1.14	3.61
25	1.13	0.21	5.27	3.72	1.00	3.71	4.06	1.16	3.51
26	1.12	0.22	5.12	3.68	1.02	3.61	4.02	1.18	3.42
27	1.10	0.22	4.98	3.64	1.04	3.51	3.97	1.20	3.32
28	1.09	0.22	4.85	3.60	1.05	3.42	3.92	1.21	3.23
29	1.08	0.23	4.71	3.55	1.07	3.32	3.88	1.23	3.14
30	1.06	0.23	4.59	3.51	1.09	3.23	3.83	1.25	3.06
31	1.05	0.24	4.46	3.47	1.10	3.15	3.78	1.27	2.97
32	1.04	0.24	4.34	3.43	1.12	3.06	3.74	1.29	2.89
33	1.03	0.24	4.22	3.38	1.14	2.98	3.69	1.31	2.82
34	1.01	0.25	4.11	3.34	1.15	2.90	3.65	1.33	2.74
35	1.00	0.25	4.00	3.30	1.17	2.82	3.60	1.35	2.67
36	0.99	0.25	3.89	3.26	1.19	2.74	3.55	1.37	2.60
37	0.97	0.26	3.79	3.22	1.20	2.67	3.51	1.39	2.53
38	0.96	0.26	3.69	3.17	1.22	2.60	3.46	1.41	2.46
39	0.95	0.26	3.59	3.13	1.24	2.53	3.42	1.43	2.39
40	0.94	0.27	3.49	3.09	1.25	2.46	3.37	1.45	2.33
41	0.92	0.27	3.40	3.05	1.27	2.40	3.32	1.47	2.27
42	0.91	0.28	3.31	3.00	1.29	2.33	3.28	1.49	2.21
43	0.90	0.28	3.22	2.96	1.30	2.27	3.23	1.50	2.15
44	0.88	0.28	3.13	2.92	1.32	2.21	3.18	1.52	2.09
45	0.87	0.29	3.05	2.88	1.34	2.15	3.14	1.54	2.03
46	0.86	0.29	2.97	2.83	1.35	2.09	3.09	1.56	1.98



Heating performance characteristic :

Outside Temp (°C)	Min capacity			Nominal capacity			Max capacity		
	Capacity (kW)	Power (kW)	COP (-)	Capacity (kW)	Power (kW)	COP (-)	Capacity (kW)	Power (kW)	COP (-)
-10	0.46	0.15	3.16	2.17	0.82	2.64	2.50	1.05	2.38
-9	0.47	0.15	3.18	2.21	0.83	2.66	2.54	1.06	2.40
-8	0.47	0.15	3.21	2.25	0.84	2.68	2.58	1.07	2.42
-7	0.48	0.15	3.24	2.28	0.84	2.71	2.63	1.08	2.44
-6	0.49	0.15	3.26	2.32	0.85	2.73	2.67	1.08	2.46
-5	0.50	0.15	3.29	2.36	0.86	2.75	2.71	1.09	2.48
-4	0.50	0.15	3.31	2.39	0.86	2.77	2.75	1.10	2.50
-3	0.51	0.15	3.34	2.43	0.87	2.79	2.79	1.11	2.52
-2	0.52	0.15	3.36	2.46	0.88	2.81	2.83	1.12	2.54
-1	0.53	0.16	3.39	2.50	0.88	2.83	2.88	1.13	2.56
0	0.54	0.16	3.41	2.54	0.89	2.85	2.92	1.13	2.57
1	0.54	0.16	3.43	2.57	0.90	2.87	2.96	1.14	2.59
2	0.55	0.16	3.46	2.61	0.90	2.89	3.00	1.15	2.61
3	0.61	0.16	3.70	2.65	0.91	2.90	3.07	1.17	2.62
4	0.66	0.17	3.92	2.69	0.93	2.91	3.13	1.19	2.63
5	0.72	0.17	4.13	2.74	0.94	2.91	3.20	1.21	2.64
6	0.74	0.18	4.18	3.51	1.00	3.49	4.38	1.23	3.56
7	0.76	0.18	4.22	3.60	1.02	3.53	4.50	1.25	3.60
8	0.78	0.18	4.27	3.69	1.04	3.57	4.62	1.27	3.64
9	0.80	0.19	4.31	3.79	1.05	3.60	4.73	1.29	3.67
10	0.82	0.19	4.35	3.88	1.07	3.63	4.85	1.31	3.71
11	0.84	0.19	4.39	3.97	1.08	3.67	4.96	1.33	3.74
12	0.86	0.19	4.42	4.06	1.10	3.70	5.08	1.35	3.77
13	0.88	0.20	4.46	4.16	1.11	3.73	5.20	1.37	3.80
14	0.90	0.20	4.50	4.25	1.13	3.76	5.31	1.39	3.83
15	0.92	0.20	4.53	4.34	1.15	3.79	5.43	1.40	3.86
16	0.94	0.21	4.57	4.44	1.16	3.82	5.55	1.42	3.89
17	0.96	0.21	4.60	4.53	1.18	3.84	5.66	1.44	3.92
18	0.98	0.21	4.63	4.62	1.19	3.87	5.78	1.46	3.95
19	1.00	0.21	4.66	4.71	1.21	3.90	5.89	1.48	3.98
20	1.01	0.22	4.69	4.81	1.23	3.92	6.01	1.50	4.00
21	1.03	0.22	4.72	4.90	1.24	3.95	6.13	1.52	4.03
22	1.05	0.22	4.75	4.99	1.26	3.97	6.24	1.54	4.05
23	1.07	0.22	4.78	5.09	1.27	4.00	6.36	1.56	4.08
24	1.09	0.23	4.81	5.18	1.29	4.02	6.47	1.58	4.10



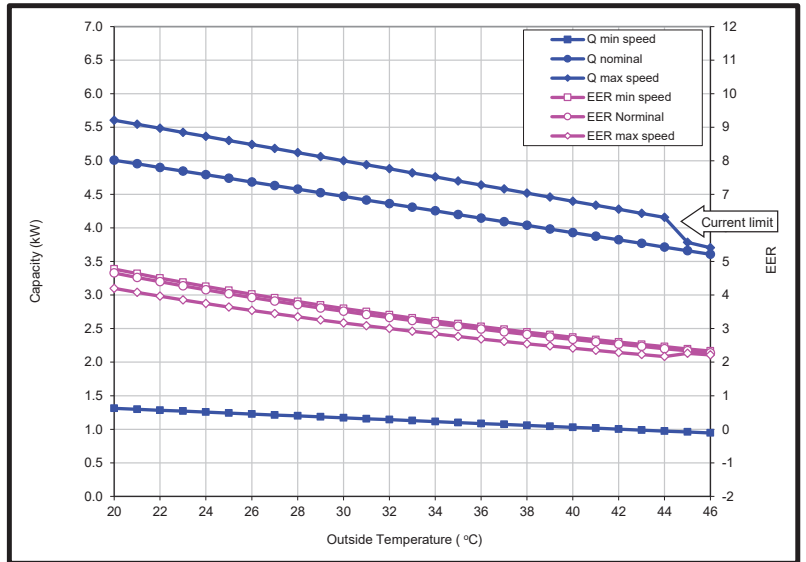
Model : RAS-B16B2KVG-E ; RAS-16B2AVG-E

Product specification :

Condition		Capacity (kW)	Power (kW)	EER/COP
Cooling JIS In: 27°C DB/19°C WB Out: 35°C DB/24°C WB	Min	1.10	0.35	3.14
	Rated	4.20	1.37	3.07
	Max	4.70	1.70	2.76
Heating JIS In: 20°C DB/15°C WB Out: 7°C DB/6°C WB	Min	0.85	0.25	3.40
	Rated	5.00	1.45	3.45
	Max	6.00	1.90	3.16
Heating Low Temp. In: 20°C DB/15°C WB Out: 2°C DB/1°C WB	Max	4.20	1.60	2.63
	Max	3.70	1.40	2.64

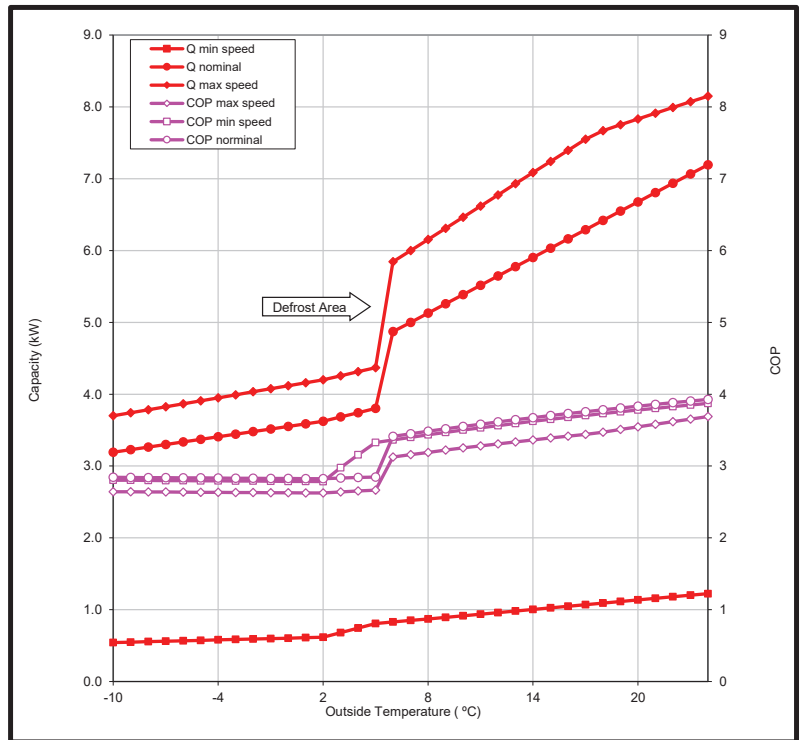
Cooling performance characteristic :

Outside Temp (°C)	Min capacity			Nominal capacity			Max capacity		
	Capacity (kW)	Power (kW)	EER (-)	Capacity (kW)	Power (kW)	EER (-)	Capacity (kW)	Power (kW)	EER (-)
20	1.31	0.27	4.77	5.01	1.08	4.66	5.60	1.33	4.20
21	1.30	0.28	4.64	4.95	1.10	4.52	5.54	1.36	4.08
22	1.28	0.28	4.51	4.90	1.11	4.40	5.48	1.38	3.96
23	1.27	0.29	4.38	4.85	1.13	4.27	5.42	1.41	3.85
24	1.26	0.29	4.26	4.79	1.15	4.15	5.36	1.43	3.75
25	1.24	0.30	4.14	4.74	1.17	4.04	5.30	1.46	3.64
26	1.23	0.30	4.03	4.69	1.19	3.93	5.24	1.48	3.54
27	1.21	0.31	3.91	4.63	1.21	3.82	5.18	1.51	3.44
28	1.20	0.31	3.81	4.58	1.23	3.71	5.12	1.53	3.35
29	1.18	0.32	3.70	4.52	1.25	3.61	5.06	1.55	3.26
30	1.17	0.32	3.60	4.47	1.27	3.51	5.00	1.58	3.17
31	1.16	0.33	3.51	4.42	1.29	3.42	4.94	1.60	3.08
32	1.14	0.33	3.41	4.36	1.31	3.33	4.88	1.63	3.00
33	1.13	0.34	3.32	4.31	1.33	3.24	4.82	1.65	2.92
34	1.11	0.34	3.23	4.25	1.35	3.15	4.76	1.68	2.84
35	1.10	0.35	3.14	4.20	1.37	3.07	4.70	1.70	2.76
36	1.09	0.36	3.06	4.15	1.39	2.98	4.64	1.72	2.69
37	1.07	0.36	2.98	4.09	1.41	2.90	4.58	1.75	2.62
38	1.06	0.37	2.90	4.04	1.43	2.83	4.52	1.77	2.55
39	1.04	0.37	2.82	3.98	1.45	2.75	4.46	1.80	2.48
40	1.03	0.38	2.74	3.93	1.47	2.68	4.40	1.82	2.41
41	1.02	0.38	2.67	3.88	1.49	2.61	4.34	1.85	2.35
42	1.00	0.39	2.60	3.82	1.51	2.54	4.28	1.87	2.29
43	0.99	0.39	2.53	3.77	1.53	2.47	4.22	1.89	2.23
44	0.97	0.40	2.46	3.71	1.55	2.40	4.16	1.92	2.17
45	0.96	0.40	2.40	3.66	1.57	2.34	4.10	1.94	2.11
46	0.94	0.41	2.33	3.61	1.59	2.27	4.04	1.96	2.05



Heating performance characteristic :

Outside Temp (°C)	Min capacity			Nominal capacity			Max capacity		
	Capacity (kW)	Power (kW)	COP (-)	Capacity (kW)	Power (kW)	COP (-)	Capacity (kW)	Power (kW)	COP (-)
-10	0.54	0.19	2.80	3.19	1.12	2.84	3.70	1.40	2.64
-9	0.55	0.20	2.80	3.23	1.14	2.84	3.74	1.42	2.64
-8	0.55	0.20	2.80	3.26	1.15	2.84	3.78	1.43	2.64
-7	0.56	0.20	2.80	3.30	1.16	2.84	3.83	1.45	2.64
-6	0.57	0.20	2.80	3.34	1.18	2.84	3.87	1.47	2.64
-5	0.57	0.21	2.79	3.37	1.19	2.83	3.91	1.48	2.63
-4	0.58	0.21	2.79	3.41	1.20	2.83	3.95	1.50	2.63
-3	0.59	0.21	2.79	3.44	1.22	2.83	3.99	1.52	2.63
-2	0.59	0.21	2.79	3.48	1.23	2.83	4.03	1.53	2.63
-1	0.60	0.21	2.79	3.52	1.24	2.83	4.08	1.55	2.63
0	0.60	0.22	2.79	3.55	1.26	2.83	4.12	1.57	2.63
1	0.61	0.22	2.79	3.59	1.27	2.83	4.16	1.58	2.63
2	0.62	0.22	2.78	3.62	1.28	2.82	4.20	1.60	2.63
3	0.68	0.23	2.98	3.68	1.30	2.83	4.26	1.61	2.64
4	0.74	0.24	3.16	3.74	1.32	2.84	4.31	1.63	2.65
5	0.81	0.24	3.33	3.80	1.33	2.85	4.37	1.64	2.66
6	0.83	0.25	3.36	4.87	1.43	3.41	5.85	1.87	3.12
7	0.85	0.25	3.40	5.00	1.45	3.45	6.00	1.90	3.16
8	0.87	0.25	3.43	5.13	1.47	3.48	6.15	1.93	3.19
9	0.89	0.26	3.47	5.26	1.49	3.52	6.31	1.96	3.22
10	0.92	0.26	3.50	5.39	1.52	3.55	6.46	1.99	3.25
11	0.94	0.27	3.53	5.52	1.54	3.58	6.62	2.02	3.28
12	0.96	0.27	3.56	5.65	1.56	3.61	6.77	2.05	3.31
13	0.98	0.27	3.59	5.77	1.58	3.64	6.93	2.08	3.34
14	1.00	0.28	3.62	5.90	1.61	3.67	7.08	2.11	3.36
15	1.03	0.28	3.65	6.03	1.63	3.70	7.24	2.14	3.39
16	1.05	0.28	3.68	6.16	1.65	3.73	7.39	2.16	3.42
17	1.07	0.29	3.70	6.29	1.67	3.76	7.55	2.19	3.44
18	1.09	0.29	3.73	6.42	1.70	3.78	7.67	2.21	3.47
19	1.11	0.30	3.76	6.55	1.72	3.81	7.75	2.21	3.51
20	1.14	0.30	3.78	6.68	1.74	3.83	7.83	2.21	3.55
21	1.16	0.30	3.80	6.81	1.76	3.86	7.91	2.21	3.58
22	1.18	0.31	3.83	6.94	1.79	3.88	7.99	2.21	3.62
23	1.20	0.31	3.85	7.06	1.81	3.90	8.07	2.21	3.65
24	1.22	0.32	3.87	7.19	1.83	3.93	8.15	2.21	3.69



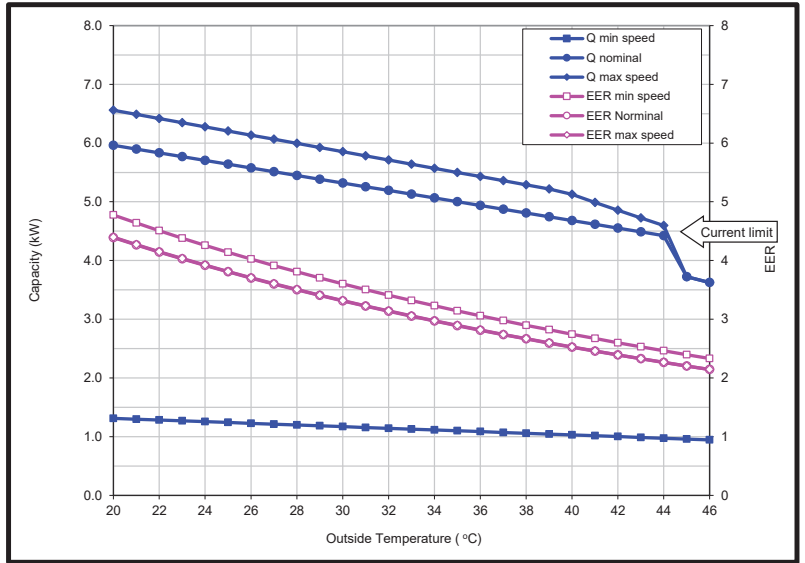
Model : RAS-B18B2KVG-E ; RAS-18B2AVG-E

Product specification :

Condition		Capacity (kW)	Power (kW)	EER/COP
Cooling JIS In: 27°C DB/19°C WB Out: 35°C DB/24°C WB	Min	1.10	0.35	3.14
	Rated	5.00	1.73	2.89
	Max	5.50	1.90	2.89
Heating JIS In: 20°C DB/15°C WB Out: 7°C DB/6°C WB	Min	1.10	0.27	4.07
	Rated	5.40	1.65	3.27
	Max	6.00	1.88	3.19
Heating Low Temp. In: 20°C DB/15°C WB Out: 2°C DB/1°C WB	Max	4.10	1.70	2.41
	Max	3.80	1.50	2.53

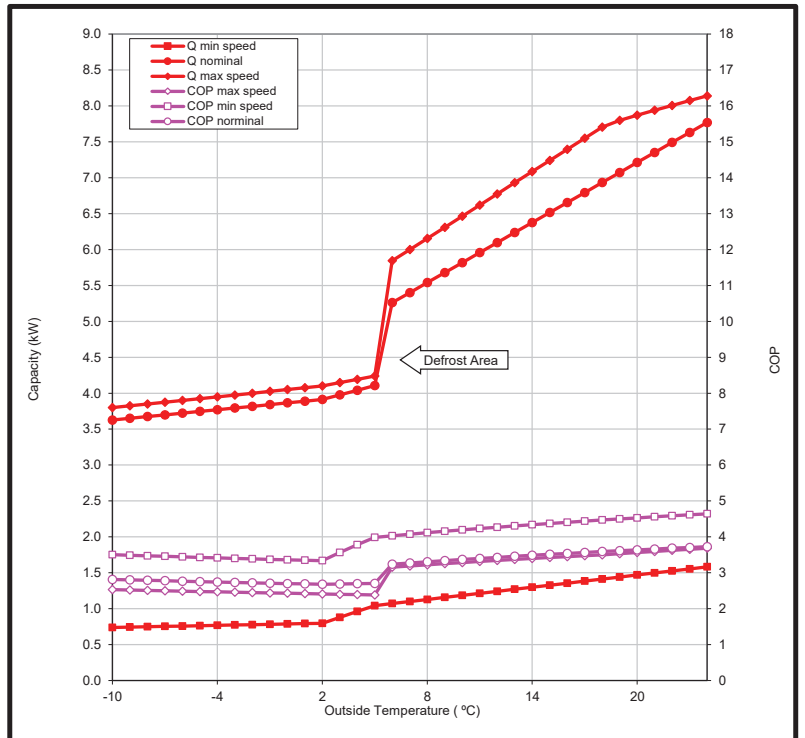
Cooling performance characteristic :

Outside Temp (°C)	Min capacity			Nominal capacity			Max capacity		
	Capacity (kW)	Power (kW)	EER (-)	Capacity (kW)	Power (kW)	EER (-)	Capacity (kW)	Power (kW)	EER (-)
20	1.31	0.27	4.77	5.96	1.36	4.39	6.56	1.49	4.40
21	1.30	0.28	4.64	5.90	1.38	4.27	6.49	1.52	4.27
22	1.28	0.28	4.51	5.83	1.41	4.14	6.42	1.55	4.15
23	1.27	0.29	4.38	5.77	1.43	4.03	6.35	1.57	4.03
24	1.26	0.29	4.26	5.71	1.46	3.92	6.28	1.60	3.92
25	1.24	0.30	4.14	5.64	1.48	3.81	6.21	1.63	3.81
26	1.23	0.30	4.03	5.58	1.51	3.70	6.14	1.65	3.71
27	1.21	0.31	3.91	5.51	1.53	3.60	6.06	1.68	3.61
28	1.20	0.31	3.81	5.45	1.56	3.50	5.99	1.71	3.51
29	1.18	0.32	3.70	5.39	1.58	3.41	5.92	1.74	3.41
30	1.17	0.32	3.60	5.32	1.61	3.31	5.85	1.76	3.32
31	1.16	0.33	3.51	5.26	1.63	3.22	5.78	1.79	3.23
32	1.14	0.33	3.41	5.19	1.66	3.14	5.71	1.82	3.14
33	1.13	0.34	3.32	5.13	1.68	3.05	5.64	1.85	3.06
34	1.11	0.34	3.23	5.06	1.71	2.97	5.57	1.87	2.97
35	1.10	0.35	3.14	5.00	1.73	2.89	5.50	1.90	2.89
36	1.09	0.36	3.06	4.94	1.75	2.81	5.43	1.93	2.82
37	1.07	0.36	2.98	4.87	1.78	2.74	5.36	1.95	2.74
38	1.06	0.37	2.90	4.81	1.80	2.66	5.29	1.98	2.67
39	1.04	0.37	2.82	4.74	1.83	2.59	5.22	2.01	2.60
40	1.03	0.38	2.74	4.68	1.85	2.52	5.15	2.03	2.53
41	1.02	0.38	2.67	4.62	1.88	2.46	5.08	2.03	2.46
42	1.00	0.39	2.60	4.55	1.90	2.39	5.01	2.03	2.39
43	0.99	0.39	2.53	4.49	1.93	2.33	4.94	2.03	2.33
44	0.97	0.40	2.46	4.42	1.95	2.26	4.87	2.03	2.27
45	0.96	0.40	2.40	4.36	1.99	2.20	4.80	2.03	2.20
46	0.94	0.41	2.33	4.29	2.02	2.14	4.73	2.03	2.14



Heating performance characteristic :

Outside Temp (°C)	Min capacity			Nominal capacity			Max capacity		
	Capacity (kW)	Power (kW)	COP (-)	Capacity (kW)	Power (kW)	COP (-)	Capacity (kW)	Power (kW)	COP (-)
-10	0.74	0.21	3.50	3.63	1.29	2.81	3.80	1.50	2.53
-9	0.74	0.21	3.49	3.65	1.30	2.80	3.83	1.52	2.52
-8	0.75	0.22	3.47	3.67	1.32	2.79	3.85	1.53	2.51
-7	0.75	0.22	3.46	3.70	1.33	2.78	3.88	1.55	2.50
-6	0.76	0.22	3.44	3.72	1.35	2.77	3.90	1.57	2.49
-5	0.76	0.22	3.43	3.75	1.36	2.75	3.93	1.58	2.48
-4	0.77	0.22	3.41	3.77	1.37	2.74	3.95	1.60	2.47
-3	0.77	0.23	3.40	3.79	1.39	2.73	3.98	1.62	2.46
-2	0.78	0.23	3.39	3.82	1.40	2.72	4.00	1.63	2.45
-1	0.78	0.23	3.37	3.84	1.42	2.71	4.03	1.65	2.44
0	0.79	0.23	3.36	3.87	1.43	2.70	4.05	1.67	2.43
1	0.79	0.24	3.35	3.89	1.45	2.69	4.08	1.68	2.42
2	0.80	0.24	3.34	3.91	1.46	2.68	4.10	1.70	2.41
3	0.88	0.25	3.57	3.98	1.48	2.69	4.15	1.73	2.40
4	0.96	0.25	3.78	4.04	1.50	2.70	4.19	1.75	2.39
5	1.04	0.26	3.99	4.11	1.52	2.70	4.24	1.78	2.38
6	1.07	0.27	4.03	4.16	1.54	2.70	4.29	1.81	2.37
7	1.10	0.27	4.07	4.20	1.55	2.70	4.34	1.84	2.36
8	1.13	0.27	4.12	4.25	1.56	2.70	4.39	1.87	2.35
9	1.16	0.28	4.16	4.30	1.57	2.70	4.44	1.90	2.34
10	1.19	0.28	4.19	4.35	1.58	2.70	4.49	1.93	2.33
11	1.21	0.29	4.23	4.40	1.59	2.70	4.54	1.96	2.32
12	1.24	0.29	4.27	4.45	1.60	2.70	4.59	1.99	2.31
13	1.27	0.30	4.30	4.50	1.61	2.70	4.64	2.02	2.30
14	1.30	0.30	4.34	4.55	1.62	2.70	4.69	2.05	2.29
15	1.33	0.30	4.37	4.60	1.63	2.70	4.74	2.08	2.28
16	1.36	0.31	4.41	4.65	1.64	2.70	4.79	2.11	2.27
17	1.38	0.31	4.44	4.70	1.65	2.70	4.84	2.14	2.26
18	1.41	0.32	4.47	4.75	1.66	2.70	4.89	2.17	2.25
19	1.44	0.32	4.50	4.80	1.67	2.70	4.94	2.20	2.24
20	1.47	0.32	4.53	4.85	1.68	2.70	4.99	2.23	2.23
21	1.50	0.33	4.56	4.90	1.69	2.70	5.04	2.26	2.22
22	1.53	0.33	4.59	4.95	1.70	2.70	5.09	2.29	2.21
23	1.55	0.34	4.61	5.00	1.71	2.70	5.14	2.32	2.20
24	1.58	0.34	4.64	5.05	1.72	2.70	5.19	2.35	2.19



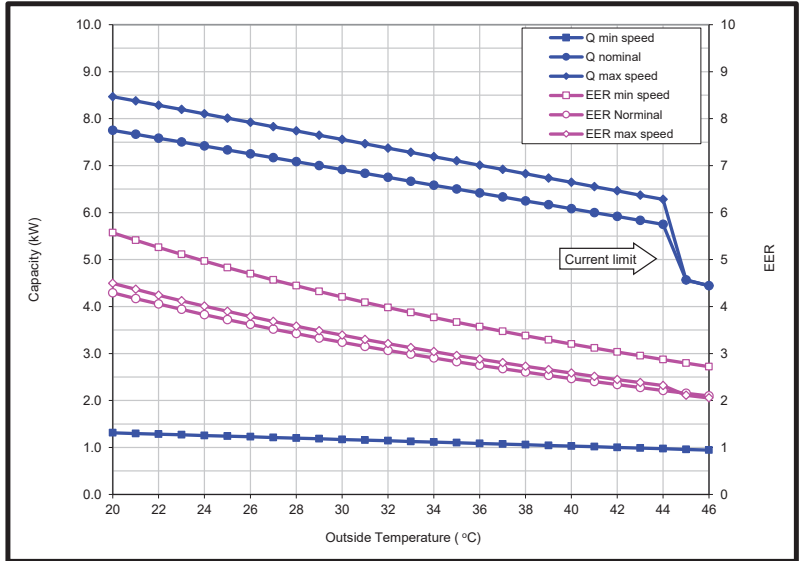
Model : RAS-B24B2KVG-E ; RAS-24B2AVG-E

Product specification :

Condition		Capacity (kW)	Power (kW)	EER/COP
Cooling JIS In: 27°C DB/19°C WB Out: 35°C DB/24°C WB	Min	1.10	0.30	3.67
	Rated	6.50	2.30	2.83
	Max	7.10	2.40	2.96
Heating JIS In: 20°C DB/15°C WB Out: 7°C DB/6°C WB	Min	1.20	0.27	4.44
	Rated	7.00	2.10	3.33
	Max	8.00	2.50	3.20
Heating Low Temp. In: 20°C DB/15°C WB Out: 2°C DB/1°C WB	Max	5.70	1.80	3.17
	Max	5.00	1.50	3.33

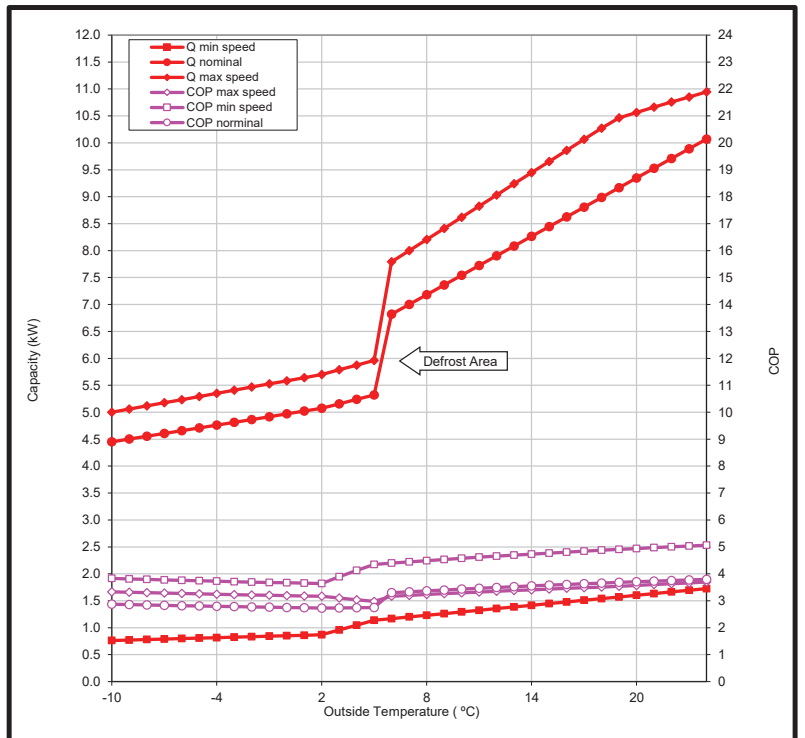
Cooling performance characteristic :

Outside Temp (°C)	Min capacity			Nominal capacity			Max capacity		
	Capacity (kW)	Power (kW)	EER (-)	Capacity (kW)	Power (kW)	EER (-)	Capacity (kW)	Power (kW)	EER (-)
20	1.31	0.24	5.57	7.75	1.81	4.29	8.47	1.88	4.49
21	1.30	0.24	5.41	7.67	1.84	4.17	8.38	1.92	4.37
22	1.28	0.24	5.26	7.58	1.87	4.05	8.28	1.95	4.24
23	1.27	0.25	5.11	7.50	1.90	3.94	8.19	1.99	4.12
24	1.26	0.25	4.97	7.42	1.94	3.83	8.10	2.02	4.01
25	1.24	0.26	4.83	7.33	1.97	3.72	8.01	2.06	3.90
26	1.23	0.26	4.70	7.25	2.00	3.62	7.92	2.09	3.79
27	1.21	0.27	4.57	7.17	2.04	3.52	7.83	2.12	3.68
28	1.20	0.27	4.44	7.08	2.07	3.42	7.74	2.16	3.58
29	1.18	0.27	4.32	7.00	2.10	3.33	7.65	2.19	3.49
30	1.17	0.28	4.20	6.92	2.14	3.24	7.56	2.23	3.39
31	1.16	0.28	4.09	6.83	2.17	3.15	7.46	2.26	3.30
32	1.14	0.29	3.98	6.75	2.20	3.07	7.37	2.30	3.21
33	1.13	0.29	3.87	6.67	2.23	2.98	7.28	2.33	3.12
34	1.11	0.30	3.77	6.58	2.27	2.90	7.19	2.37	3.04
35	1.10	0.30	3.67	6.50	2.30	2.83	7.10	2.40	2.96
36	1.09	0.30	3.57	6.42	2.33	2.75	7.01	2.43	2.88
37	1.07	0.31	3.47	6.33	2.37	2.68	6.92	2.47	2.80
38	1.06	0.31	3.38	6.25	2.40	2.61	6.83	2.50	2.73
39	1.04	0.32	3.29	6.17	2.43	2.54	6.74	2.54	2.65
40	1.03	0.32	3.20	6.08	2.46	2.47	6.64	2.57	2.58
41	1.02	0.33	3.12	6.00	2.50	2.40	6.55	2.61	2.51
42	1.00	0.33	3.03	5.92	2.53	2.34	6.46	2.64	2.45
43	0.99	0.33	2.95	5.83	2.56	2.28	6.37	2.68	2.38
44	0.97	0.34	2.87	5.75	2.60	2.21	6.28	2.71	2.32
45	0.96	0.34	2.80	4.57	2.12	2.15	4.57	2.16	2.11
46	0.94	0.35	2.72	4.44	2.12	2.10	4.44	2.16	2.05



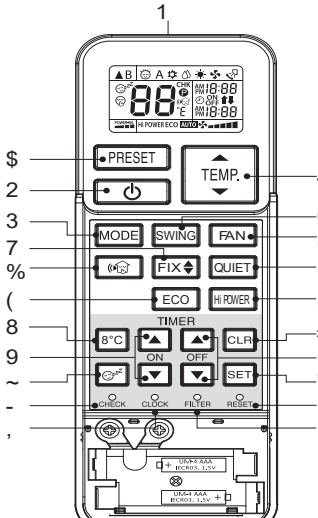
Heating performance characteristic :

Outside Temp (°C)	Min capacity			Nominal capacity			Max capacity		
	Capacity (kW)	Power (kW)	COP (-)	Capacity (kW)	Power (kW)	COP (-)	Capacity (kW)	Power (kW)	COP (-)
-10	0.76	0.20	3.83	4.45	1.55	2.87	5.00	1.50	3.33
-9	0.77	0.20	3.81	4.50	1.57	2.86	5.06	1.53	3.32
-8	0.78	0.21	3.79	4.55	1.60	2.85	5.12	1.55	3.30
-7	0.79	0.21	3.78	4.61	1.63	2.83	5.18	1.58	3.29
-6	0.80	0.21	3.76	4.66	1.65	2.82	5.23	1.60	3.27
-5	0.81	0.22	3.74	4.71	1.68	2.81	5.29	1.63	3.26
-4	0.82	0.22	3.73	4.76	1.70	2.79	5.35	1.65	3.24
-3	0.83	0.22	3.71	4.81	1.73	2.78	5.41	1.68	3.23
-2	0.83	0.23	3.70	4.86	1.76	2.77	5.47	1.70	3.22
-1	0.84	0.23	3.68	4.92	1.78	2.76	5.53	1.73	3.20
0	0.85	0.23	3.67	4.97	1.81	2.75	5.58	1.75	3.19
1	0.86	0.24	3.65	5.02	1.83	2.74	5.64	1.78	3.18
2	0.87	0.24	3.64	5.07	1.86	2.73	5.70	1.80	3.17
3	0.96	0.25	3.89	5.16	1.88	2.74	5.79	1.87	3.10
4	1.05	0.25	4.13	5.24	1.91	2.75	5.87	1.93	3.04
5	1.14	0.26	4.35	5.32	1.93	2.75	5.96	2.00	2.98
6	1.17	0.27	4.40	5.42	2.07	3.30	7.79	2.46	3.17
7	1.20	0.27	4.44	7.00	2.10	3.33	8.00	2.50	3.20
8	1.23	0.27	4.49	7.18	2.13	3.37	8.21	2.54	3.23
9	1.26	0.28	4.53	7.36	2.17	3.40	8.41	2.58	3.26
10	1.29	0.28	4.58	7.54	2.20	3.43	8.62	2.62	3.29
11	1.32	0.29	4.62	7.72	2.23	3.46	8.83	2.65	3.32
12	1.35	0.29	4.66	7.90	2.26	3.49	9.03	2.69	3.35
13	1.39	0.30	4.70	8.08	2.30	3.52	9.24	2.73	3.38
14	1.42	0.30	4.73	8.26	2.33	3.55	9.45	2.77	3.41
15	1.45	0.30	4.77	8.45	2.36	3.58	9.65	2.81	3.44
16	1.48	0.31	4.81	8.63	2.39	3.61	9.86	2.85	3.46
17	1.51	0.31	4.84	8.81	2.43	3.63	10.06	2.89	3.49
18	1.54	0.32	4.88	8.99	2.46	3.66	10.27	2.93	3.51
19	1.57	0.32	4.91	9.17	2.49	3.68	10.47	2.96	3.54
20	1.60	0.32	4.94	9.35	2.52	3.71	10.66	2.96	3.57
21	1.63	0.33	4.97	9.53	2.56	3.73	10.86	2.96	3.60
22	1.66	0.33	5.00	9.71	2.59	3.75	11.06	2.96	3.63
23	1.70	0.34	5.03	9.89	2.62	3.77	11.26	2.96	3.67
24	1.73	0.34	5.06	10.07	2.65	3.80	11.46	2.96	3.70

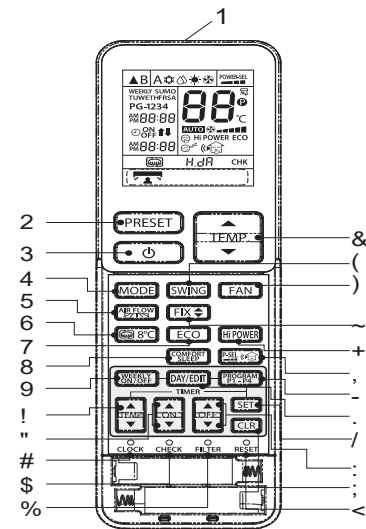
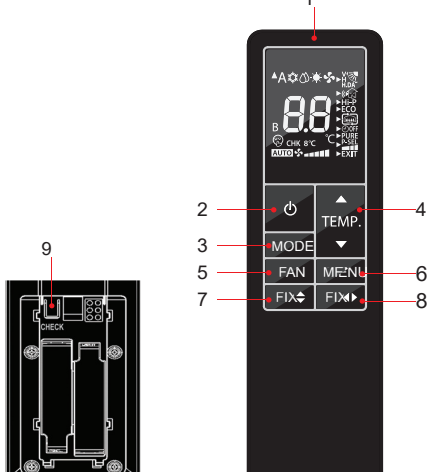


11. Accessories

Standard RC : WH-TG01NE

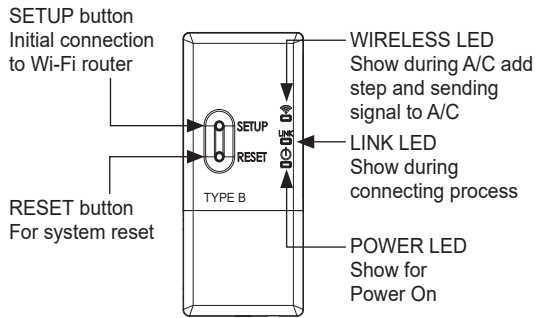
Appearance	Remote control features
	<ul style="list-style-type: none"> 1 Infrared signal emitter 2 Start/Stop button 3 Mode select button (MODE) 4 Temperature button (TEMP) 5 Fan speed button (FAN) 6 Swing louver button (SWING) 7 Set louver button (FIX) 8 8°C Heating Operation (8°C) 9 On timer button (ON) ! Off timer button (OFF) " Setup button (SET) # Clear button (CLR) \$ Memory and Preset button (PRESET) % Silent operation button (SILENT) & High power button (Hi POWER) (Eco button (ECO)) Quiet button (QUIET) ~ Comfort sleep button (COMFORT SLEEP) + Filter reset button (FILTER) - Set clock button (CLOCK) . Check button (CHECK) . Reset button (RESET)

Optional accessory RC : RB-RXS33-E , RB-RXS34-E

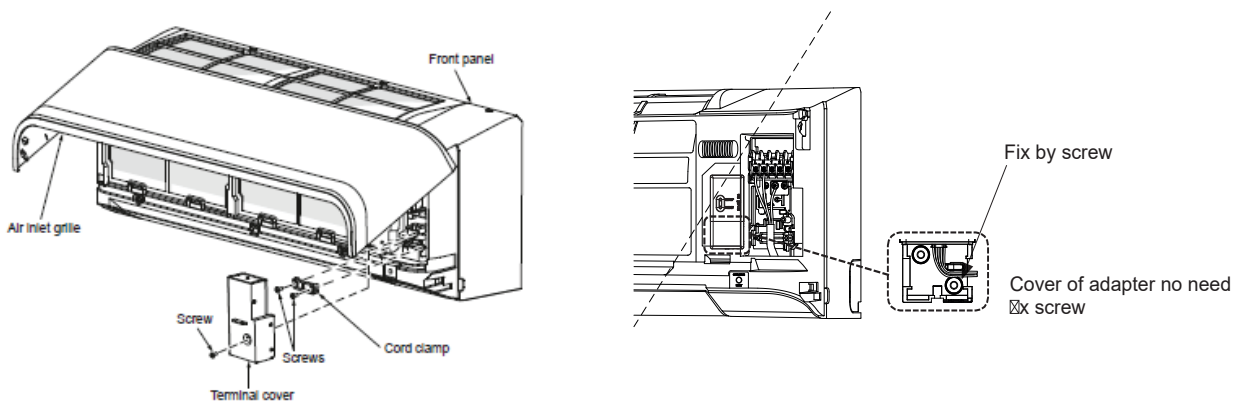
Appearance	Remote control features
	<ul style="list-style-type: none"> 1 Infrared signal emitter 2 Memory and Preset button (PRESET) 3 Start/Stop button 4 Mode select button (MODE) 5 Air flow/HADA CARE FLOW button 6 Fireplace/8°C button 7 ECO button 8 Comfort sleep button (COMFORT SLEEP) 9 Weekly timer (ON/OFF) ! Temp for Weekly timer " On timer button (ON) # Set clock button (CLOCK) \$ Check button (CHECK) % Filter reset button (FILTER) & Temperature button (TEMP) (Swing louver button (SWING)) Fan speed button (FAN) ~ Set louver button (FIX) + High power button (Hi POWER) - Power selection/Silent button (P-SEL/SILENT) , Program P1 - P4 . Day/Edit button / Setup button (SET) : Off timer button (OFF) ; Clear button (CLR) < Reset button (RESET)
	<ul style="list-style-type: none"> 1 Infrared signal emitter 2 Start/Stop button 3 Mode select button 4 Temperature button 5 Fan speed button 6 Menu select button 7 Set louver Up-Down button 8 Set louver Left-Right button 9 Check button* <p>*Check button under battery cover</p>

Optional Accessories

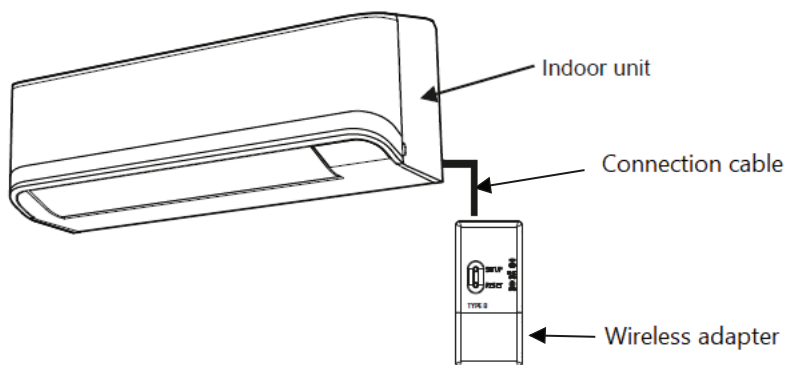
Wireless Adapter



RB-N105S-G : Wireless Adapter (Embedded inside indoor unit)



RB-N106S-G : Wireless Adapter (With connection cable)



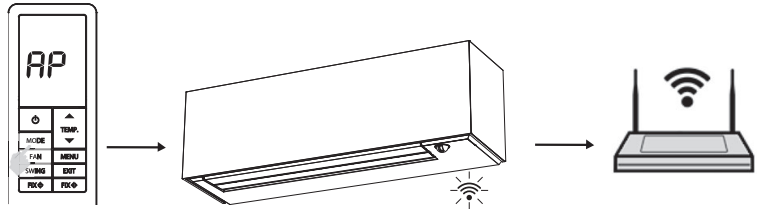
Toshiba Home AC Control application support



iOS : 9.0 or later.



Android : Version 5.0 or later.



Active Wireless adapter by Remote controller.

Toshiba Home AC Control application

Home screen

The image displays the home screen of the Toshiba Home AC Control application, along with several sub-screens and callouts explaining their functions.

- Home Screen:** Shows a list of AC units including 'All AC', '1st floor (Ams)', 'Living Room (A...)', 'Dining Room (...)', 'Bath Room (A...)', '2nd floor (Ams)', 'Bed Room (Ams)', and 'Children Room...'. Each unit displays its current temperature and mode.
- Weekly schedule:** A screen for setting schedules for different days of the week, with a 'Monday' view shown.
- Setting:** A settings menu with options like 'User Information', 'Theme Setting', 'AC Time Zone', 'Languages', 'Calendar Days', 'Child lock', 'Confirmation pop up', 'Add AC (Adapter)', 'Version', and 'License Agreement'.
- Menu:** A side menu with options: 'Home', 'Settings', 'Toshiba AC special feature', 'Google Assistant', 'Amazon Alexa', 'Wireless adapter manual', 'Help', and 'Logout'.
- Callouts for Home Screen:**
 - All AC On/Off:** Toggles the power for all AC units.
 - Group AC On/Off:** Toggles the power for a specific group of AC units.
 - Each AC On/Off:** Toggles the power for an individual AC unit.
 - Group name:** The name of the selected AC group.
 - AC device is offline:** A warning icon indicating an AC unit is not connected.
 - Notification ERROR code description (pop up):** A pop-up message box for error codes.
 - Add AC:** A button to add a new AC unit to the system.
 - Sub menu all AC:** Options for 'Add Group', 'Delete Group', and 'Operation Setting'.
 - Sub menu group:** Options for 'Select AC', 'Change Name', and 'Operation Setting'.
 - Sub menu AC:** Options for 'Operation Setting', 'Change Name', and 'Delete AC'.
 - Setting temperature / Actual room temp:** The current temperature and target temperature for a unit.
 - Current operation mode of each AC:** The current mode (e.g., Cool, Heat) for each AC unit.
- Sub-screens:**
 - Energy Monitoring:** Shows 'Cost Calculator' (0.1 EUR/kWh), 'Display', 'Export Data', and 'Clear Data'.
 - Service Function:** A screen for service-related functions.
 - Message:** A notification area showing test messages with timestamps.

Setting in operation mode

Smart Sensing set

Mode select

Tab for select AC

Weekly schedule

OFF-ON Timer set 0.5 - 12 Hrs.

On Smart sensing

Select Direct/Indirect or Motion Tracking

Temperature set

Indoor temperature

Outdoor temperature

Fan speed

Louver set

Special feature

Note : The Motion Tracking operation is the same as the Occupancy operation in the remote controller.

Summary features

	Model code	Comfort sleep	Hi power	Silent CDU	Power select	Eco logic	Fix & Swing	3D airflow	HADA care	Preset	Fan speed	Quiet FCU	8° C	Fire place	Off timer (0.5, 1-12hrs.)	24 Hrs. on-off timer	Weekly timer	On demand defrost	FCU led Dimming	Floor warming	Backlight display	Luminous button	Wired connectable RC
Standard RC	WH-TG01NE	✓	✓	✓	✗	✓	✓	✗	✗	✓	✓	✓	✓	✗	✗	✓	✗	✓	✓	✗	✗	✗	✗
Accessory RC	RB-RXS33-E	✓	✓	✓	✓	✓	✓	✗	✗	✓	✓	✓	✓	✗	✓	✓	✓	✓	✓	✗	✓	✓	✗
Accessory RC	RB-RXS34-E	✗	✓	✓	✓	✓	✓	✗	✗	✗	✓	✓	✓5-30°C	✗	✓	✗	✗	✓	✓	✗	✓	✗	✗
Accessory Wi-Fi	RB-N105S-G/ RB-N106S-G	✗	✓	✓	✓	✓	✓	✗	✗	✗	✓	✓	✓	✓	✓	✗	✓	✗	✗	✗			

CARRIER AIR CONDITIONING (THAILAND) CO.,LTD.

144/9 Moo 5, Bangkadi Industrial Park, Tivanon Road, Tambol Bangkadi,
Amphur Muang, Pathumthani 12000, Thailand

Copyright © 2024 CARRIER AIR CONDITIONING (THAILAND) CO.,LTD. All Rights Reserved

Notice : Carrier is committed to continuously improving its products to ensure the highest quality and reliability standard, and to meet local regulations and market requirements. All features and specifications are subject to change without prior notice.
